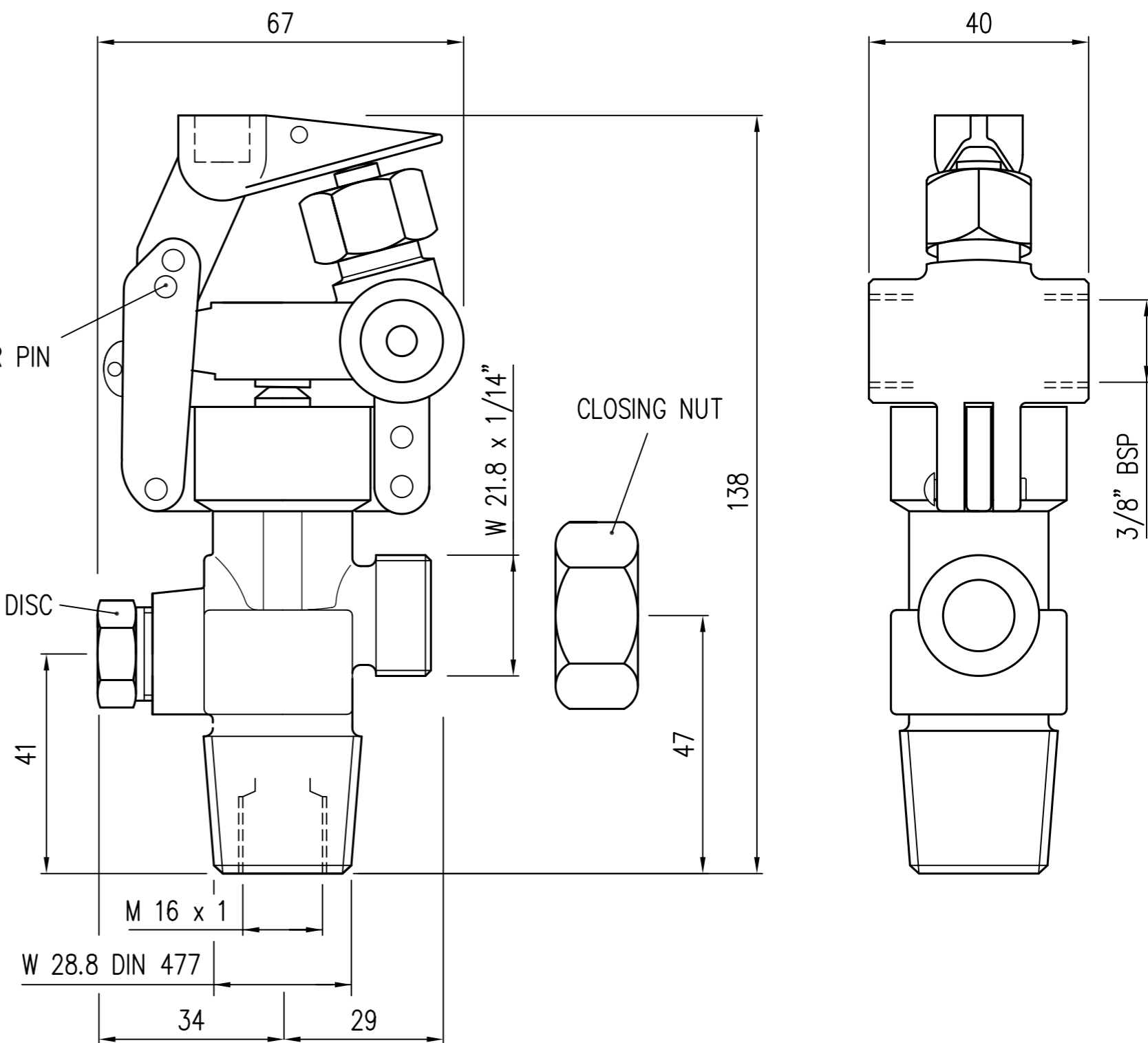
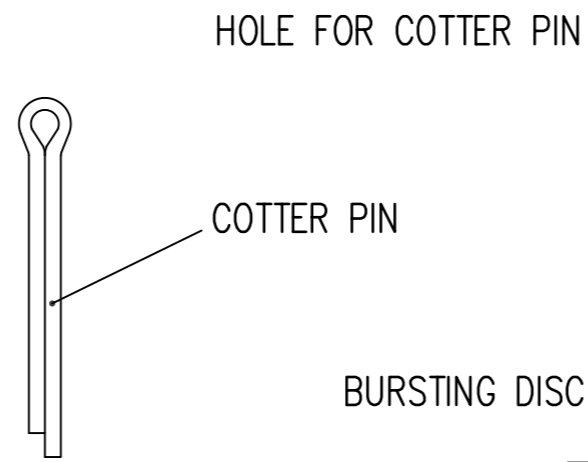


- THE PRESSURE OPERATED VALVE CAN ALSO BE MANUALLY OPERATED BY USE OF A LEVER INSERTED INTO THE TOP OF THE VALVE. (DATA SHEET 50-07-041). FREE SPACE ABOVE VALVE FOR LEVER: MIN 200 MM.
- THE CLOSING NUT IS ALWAYS TO BE SCREWED TIGHT TO THE VALVE OUTLET DURING TRANSPORT AND STORING OF CYLINDERS WITH THE VALVE FITTED.
- THE VALVE IS ALWAYS SUPPLIED WITH A COTTER PIN (SPLIT PIN) TO BE USED AS A SECURING DEVICE AFTER FILLING OF THE CYLINDER.



MATERIAL : HEAT PRESS FORGED BRASS CuZn38P63
 BURSTING DISC : 190 BAR BURSTING PRESSURE
 INLET THREAD : W 28.8 DIN 477
 SIPHON TUBE THREAD : M 16 x 1
 OUTLET THREAD : W 21.8 x 1/14"
 PRESSURE RELEASE CONNECTION : 3/8" BSP FEMALE
 VALVE OUTLET AREA : 0.79 CM²
 TEST PRESSURE : ACCORDING TO AUTHORITY OR CLASS REQUIREMENT
 CERTIFICATE : BAM APPROVAL NO. 0589
 WEIGHT : 0.85 KG

Product no. 561829	10	Drawn by/date AWA 12.11.13	ORIGINAL	Drawn by/date ILS 29.02.88	System SURVITEC HIGH PRESSURE CO ₂ SYSTEM	Component PRESSURE OPERATED VALVE TYPE K85	DATA SHEET	
	Rev. no.	Issued by/date CZB 12.11.13		Issued by/date ADA 29.02.88				Data sheet no. 50-03-018
		Approved by/date CZB 12.11.13		Approved by/date JTA 29.02.88				