

1 2 3 4 5 6

A

A

B

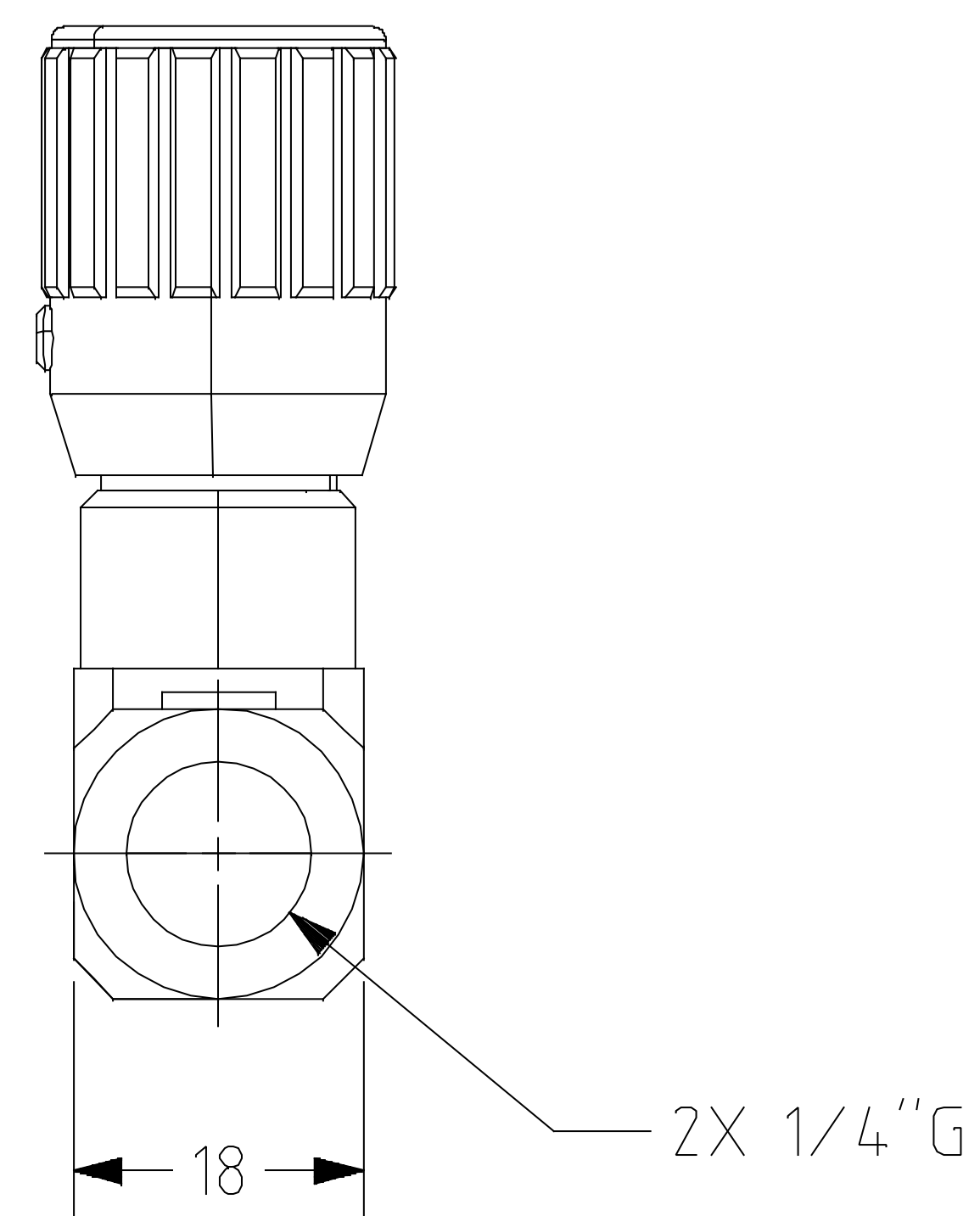
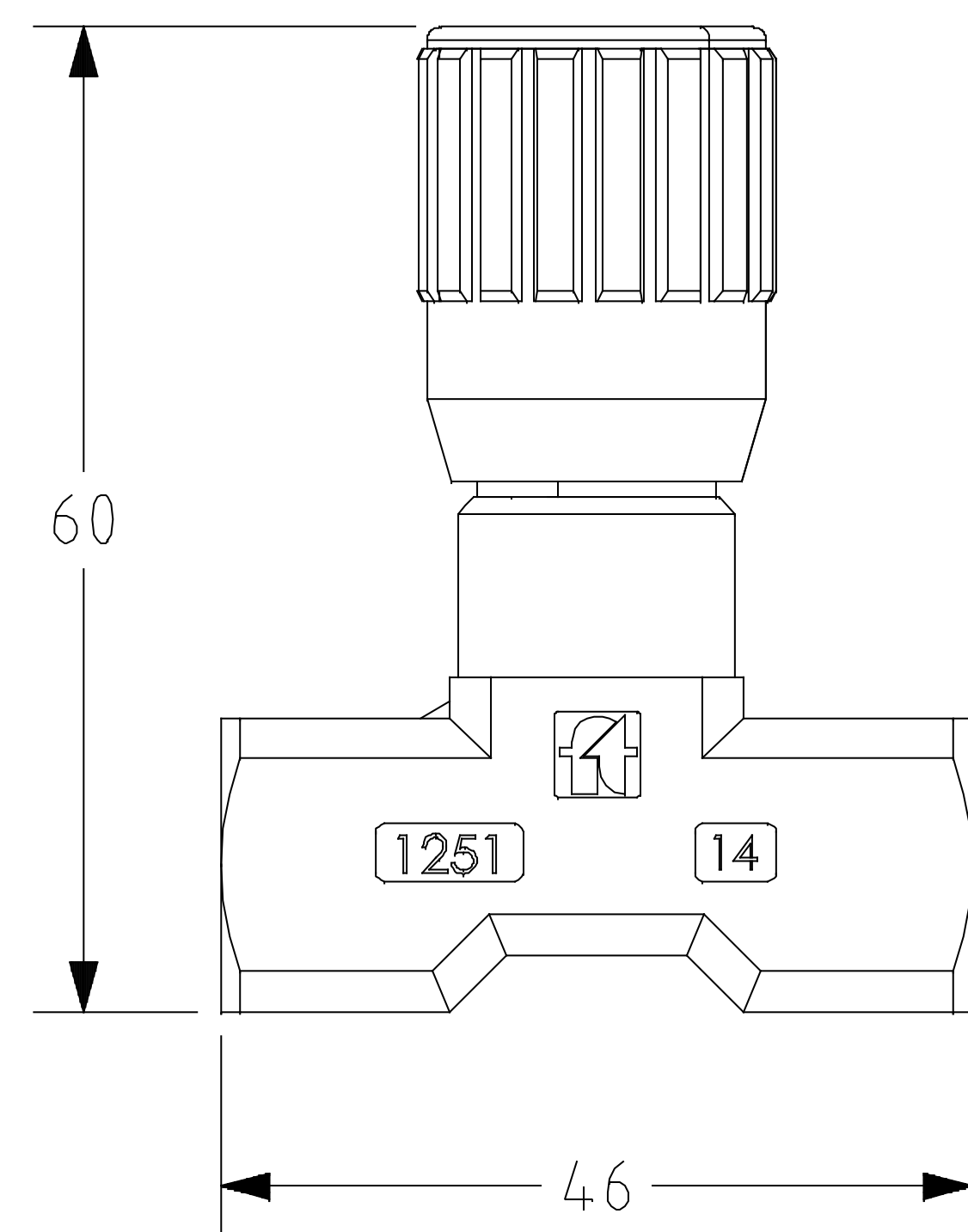
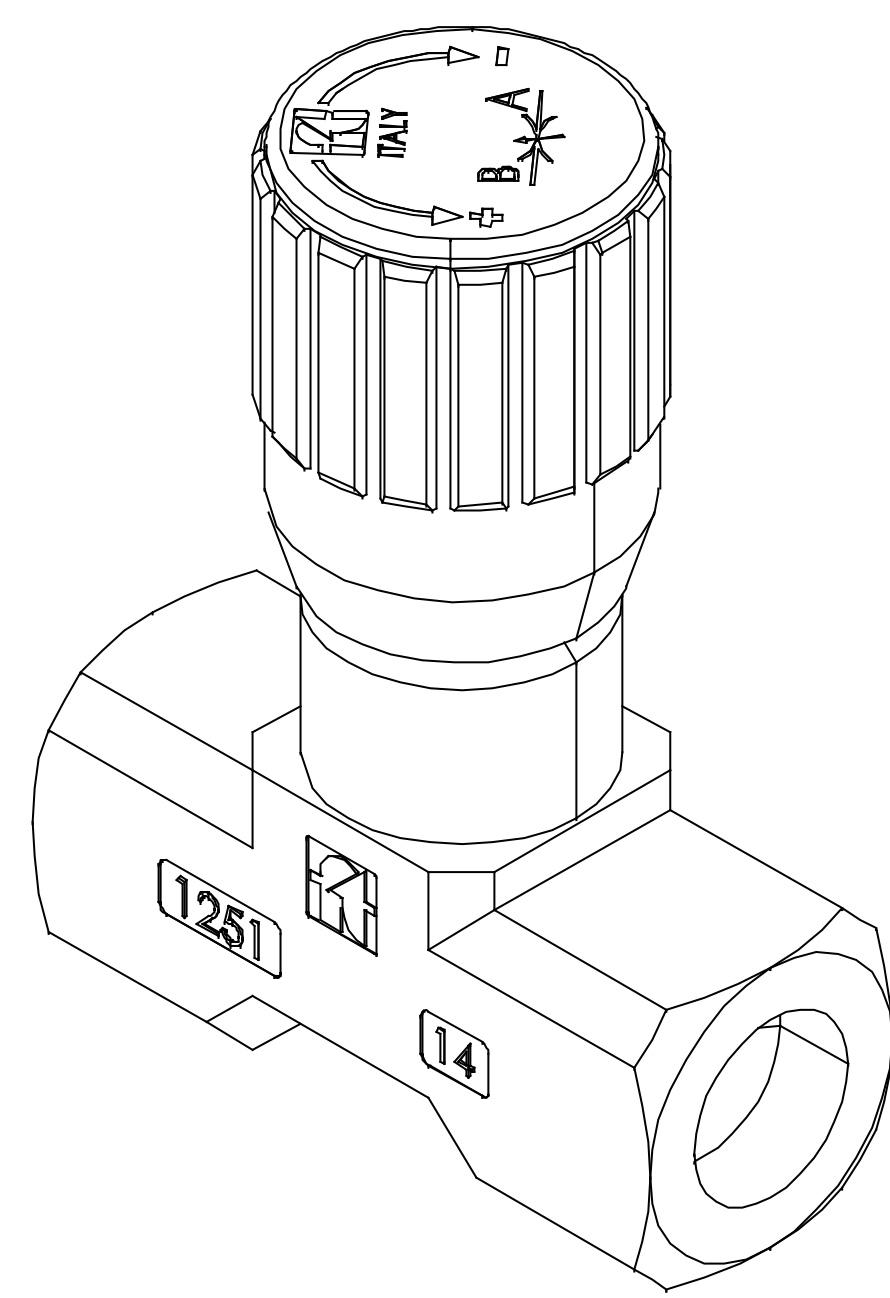
B

C

C

D

D



ZONE	DESCRIPTION	REV	BY	DATE
-	NEW RELEASE	A	VSW	06/28/12

THIS DOCUMENT IS THE PROPERTY OF SANDVIK MINING & CONSTRUCTION AND SHALL NOT WITHOUT WRITTEN PERMISSION BE ALTERED, COPIED, OR USED FOR MANUFACTURING BY ANY OTHER PERSON OR COMPANY

UNLESS OTHERWISE SPECIFIED

TOLERANCES:
 MACHINING: ISO 2768-1m
 ISO 2768-2K
 WELDED STRUCTURES: ISO 13920-BF
 CASTINGS: ISO 8062

RADI:
 INSIDE RADIUS - r → .50r
 OUTSIDE RADIUS - R → r+t

NOTES:
 ALL FILLETS TO BE 1mm
 ALL DIMENSIONS ARE IN mm
 REMOVE ALL BURRS & SHARP EDGES

MATERIAL:		SUPPLIER: TOGNELLA	
		SUPPLIER PART NO: FT1251/2-14	
		TITLE	
		NEEDLE VALVE	
SCALE	WT = KG	SHEET	
1:1	-	1 OF 1	
DR VSW	CK SN	DWG NO.	
DATE 06/28/12	DATE 06/28/12	BD00023932	
ENG SN	ISSUE		
DATE 06/28/12	06/28/12		

1 2 3 4 5 6

REF. DWG.: