



Filtromat OF 5

Description

The stationary fluid service unit OF5 is designed to fill/filter hydraulic and lubrication tanks and to filter offline. There is also the option (Version S only) to bypass the filter when emptying tanks.

Applications

- Hydraulic and lubrication oil systems in a variety of industries

Advantages

- Convenient offline filtration
- Easy to operate
- Increased service life for oil and components
- Reduction in Life Cycle Cost LCC

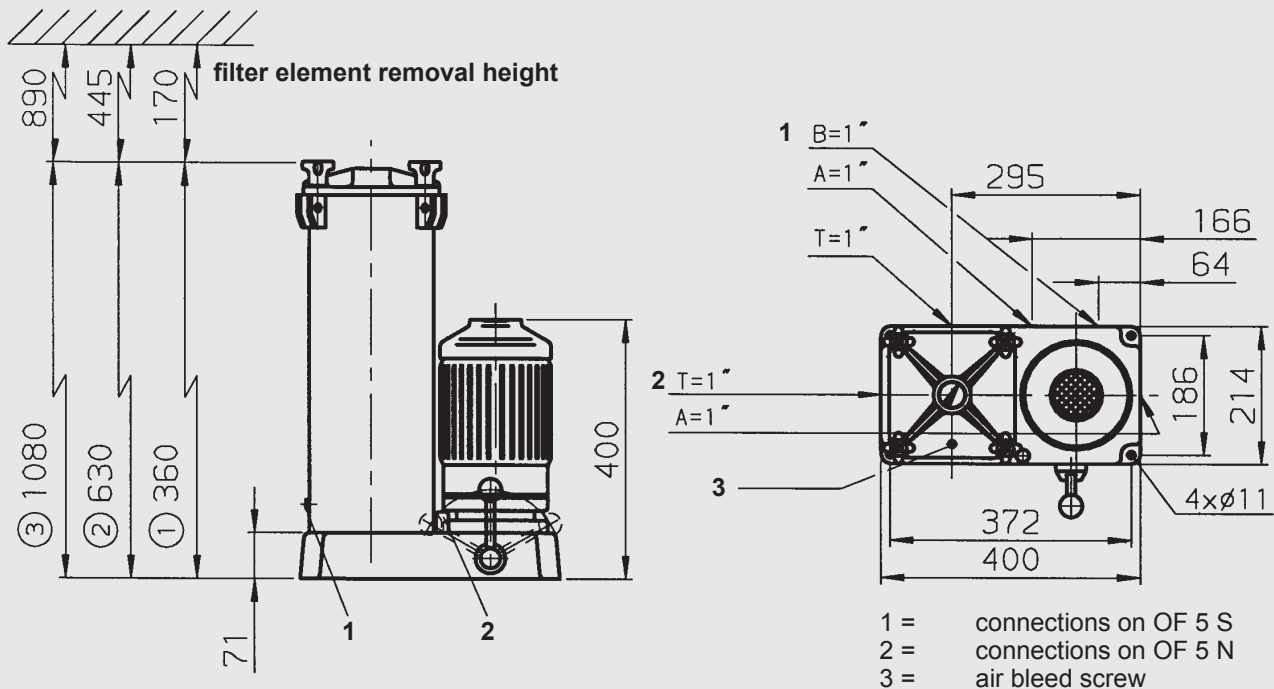
Technical specifications

Max. flow rate	30 l/min, 40 l/min
Operating pressure	4.5 bar max
Viscosity range	15 ... 800 mm ² /s (version-dependent, see Model code)
Permitted operating fluid	Mineral oil (others on request)
Permitted suction pressure at suction port	-0.4 bar ... +0.6 bar
Fluid temperature	-10 ... 80 °C
Ambient temperature	-20 ... 40 °C
Seals	NBR (Option: FPM)
Protection class	IP 54
Weight (empty)	≈ 46 kg

Model code

	OF5	S	10	P	6	N	1	B	05	E												
Basic type	OF5																					
Versions	S = Stationary with change-over valve N = Offline unit: stationary without change-over valve																					
Type code	10 = Standard Special models on request																					
Seals	P = NBR (Perbunan) V = FPM (Viton)																					
Motor-pump unit	<table border="1"> <thead> <tr> <th>Code</th> <th>Approx. flow rate at 1450 rpm</th> <th>Max. viscosity</th> <th>Electric motor output at 50 Hz</th> </tr> </thead> <tbody> <tr> <td>3</td> <td>30 l/min</td> <td>250 mm²/s</td> <td>0.75 kW</td> </tr> <tr> <td>6</td> <td>40 l/min</td> <td>800 mm²/s</td> <td>1.5 kW</td> </tr> </tbody> </table>										Code	Approx. flow rate at 1450 rpm	Max. viscosity	Electric motor output at 50 Hz	3	30 l/min	250 mm ² /s	0.75 kW	6	40 l/min	800 mm ² /s	1.5 kW
Code	Approx. flow rate at 1450 rpm	Max. viscosity	Electric motor output at 50 Hz																			
3	30 l/min	250 mm ² /s	0.75 kW																			
6	40 l/min	800 mm ² /s	1.5 kW																			
Electric motor voltage	M = 1 x 230 V - 50 Hz N = 3 x 380-420 V - 50 Hz; 3 x 440-480 V - 60 Hz S = 3 x 500-600 V - 50 (60) Hz X = special voltage																					
Filter size	1 = Element 330 2 = Element 1300 3 = Element 2600																					
Filter material	B = Betamicron (BN4HC) A = Aquamicron (BN/AM), (AM)																					
Filtration rating	03 = 3 µm BN4HC; BN/AM 05 = 5 µm BN4HC 10 = 10 µm BN4HC;BN/AM 20 = 20 µm BN4HC 40 = 40 µm AM																					
Clogging indicator	E = Standard, pressure gauge B = Option: differential pressure gauge - visual C = Option: differential pressure gauge - electrical D = Option: differential pressure gauge - visual/electrical B, C and D not for version "N"																					

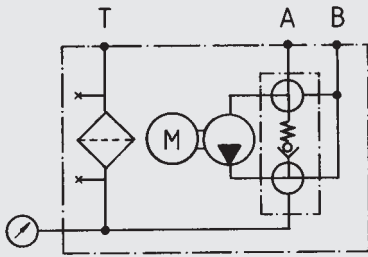
Dimensions



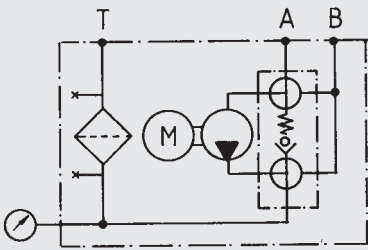
Hydraulic circuit diagram

OF5 S

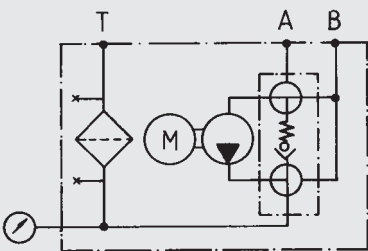
I Emptying tank, filter is bypassed
A → B



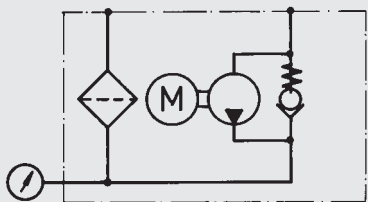
II Filtering offline A → T



III Filling via filter B → T



OF5 N



Replacement elements

Filter size	Filtration rating	Element type	Part No.
1	3 µm	0330 R 003 BN4HC/-KB (-V-KB)	1262999 (1263640)
1	5 µm	0330 R 005 BN4HC/-KB (-V-KB)	1263000 (1263641)
1	10 µm	0330 R 010 BN4HC/-KB (-V-KB)	1263001 (1263642)
1	20 µm	0330 R 020 BN4HC/-KB (-V-KB)	1263002 (1263643)
1	40 µm	0330 R 040 AM/-KB (-V-KB)	1272067 (1266563)
1	3 µm	0330 R 003 BN/AM/-KB (-V-KB)	1272069 (1276690)
1	10 µm	0330 R 010 BN/AM/-KB	1272068
2	3 µm	1300 R 003 BN4HC/-KB (-V-KB)	1263059 (1263760)
2	5 µm	1300 R 005 BN4HC/-KB (-V-KB)	1263060 (1263761)
2	10 µm	1300 R 010 BN4HC/-KB (-V-KB)	1263061 (1263762)
2	20 µm	1300 R 020 BN4HC/-KB (-V-KB)	1263062 (1263763)
2	40 µm	1300 R 040 AM/-KB	1267699
2	3 µm	1300 R 003 BN/AM/-KB	1267991
2	10 µm	1300 R 010 BN/AM/-KB (-V-KB)	1270010 (1276060)
3	3 µm	2600 R 003 BN4HC/-KB (-V-KB)	1263071 (1263784)
3	5 µm	2600 R 005 BN4HC/-KB (-V-KB)	1263072 (1263785)
3	10 µm	2600 R 010 BN4HC/-KB (-V-KB)	1263073 (1263786)
3	20 µm	2600 R 020 BN4HC/-KB (-V-KB)	1263074 (1263787)
3	40 µm	2600 R 040 AM/-KB	306899
3	3 µm	2600 R 003 BN/AM/-KB (-V-KB)	1268232 (1275329)
3	10 µm	2600 R 010 BN/AM/-KB	1276840

V = Viton
KB = without bypass