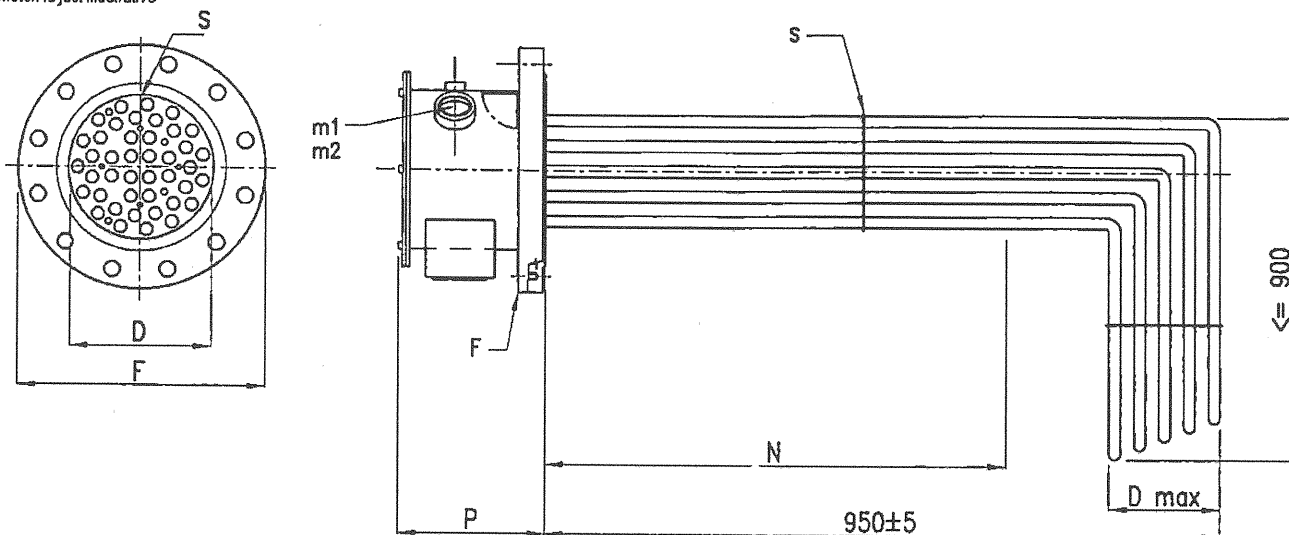


Cod. **F0610**
D.S.N° **8090**

Customer
Artic. **73U02000D000023**

Ref.
Data. **02/12/2003**

The sketch is just illustrative



Release .01

L	N	R	P	D	S	m1	m2	m3
A	B	C	F	N1	N2	N3	H1	H2

FLANGE MOUNTED ELECTRICAL HEATER - Heated Fluid: Oil

Power 20,0 kW - Voltage 400 V/3Ph - n° 1 Stage 20,00 kW - (STAR Conn.)

Composed by:

- n° 36 armoured electric resistances made of Stainless steel AISI 316Ti sheath - diameter 16 mm
 - total length 2768 mm - bending type: U bend - length below ledge 1350 mm - neutral section 650 mm
 - Electrically welded on a flange DN300 Pn16 - UNI 6093 - Flange Material FE 410
- Unit Power 556 W - Voltage 231 V - Specific Power 0,8 W/cm²

Hot head heater - nominal dimension SIZE 300 - Protection Type IP65 - Material FE 42

Safety Devices (internal head heater):

- n° 1 Thermostat with automatic reset - range 50-220°C for Fluid temperature control
- thermostat set point = 85 °C

Design temperature:	0 Not declared	Mass Flow Rate:	Not declared
Temperature in:	0 Not declared	Design pressure:	0 Not declared
Temperature out:	0 Not declared	Operating pressure:	0 Not declared
Operating temperature:	85 °C	Test pressure:	0 Not declared

FL_TC_L.DWG