

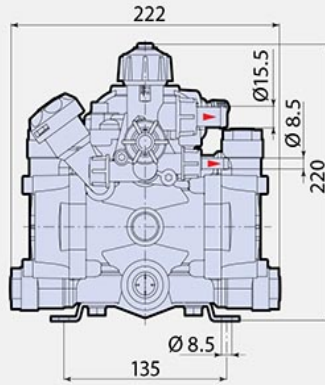
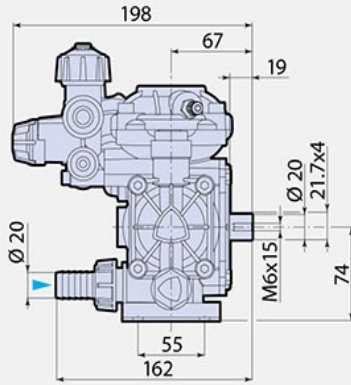
Descrizione

Alternating volumetric pumps with two semi-hydraulic diaphragms for use in the gardening or semi-professional agricultural sectors, trolley-mounted in combination with electric motors or internal combustion engines for gardening, and small sprayers for medium-pressure pesticide treatments in gardens, greenhouses, orchards or vineyards. Parts in contact with pumped liquids in anodised aluminium. Diaphragms in NBR, Desmopan or Viton.

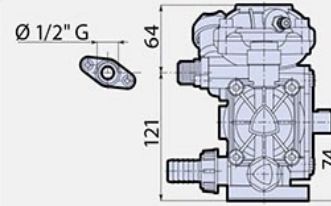


Details	Value
ARCode	158
Category	Anodized Medium Pressure
Product	AR 252
Version	SP SGC
Number of diaph	2
Delivery (l/min)	24,6
Delivery (gpm)	6.5
Pressure (bar)	25
Pressure (psi)	362
Power (hp)	1,42
RPM	650
Weight (kg)	4
Dimensions (mm) L	222
Dimensions (mm) H	237
Dimensions (mm) W	248
Suction (mm)	ø 20
Outlet (mm)	ø 13
Temperature Max °C	60

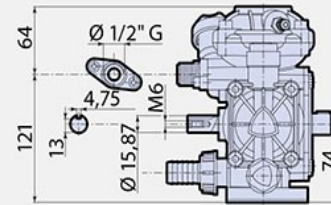
AR 202 SP VRI



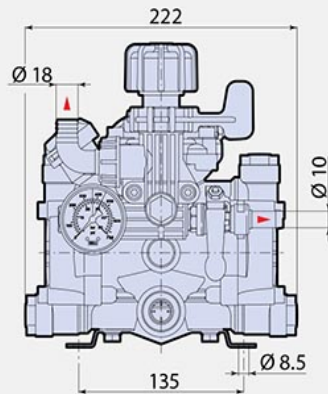
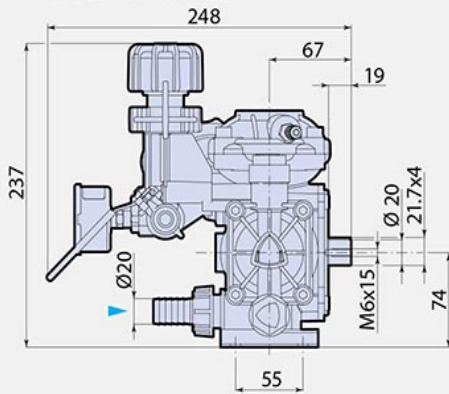
SP SGC



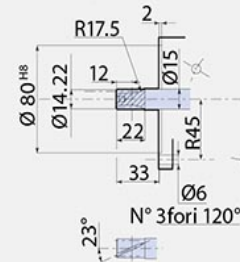
AP SP SGC



AR 252 SP VRI GR30



CR/xS



Dati dentatura elicoidale	
Mn	1,250
Mc	1,358
Z	8
Dp	11,73
De	14,22
Di	8,81
press.	20°
elica	23° sinistra
Wildab. 3Z	6,01 _{0,03}
Interasse	48,20
Rapp. Tras.	1:7,875