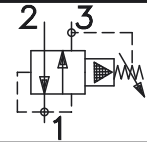


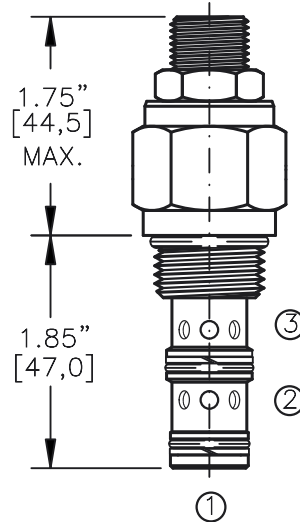
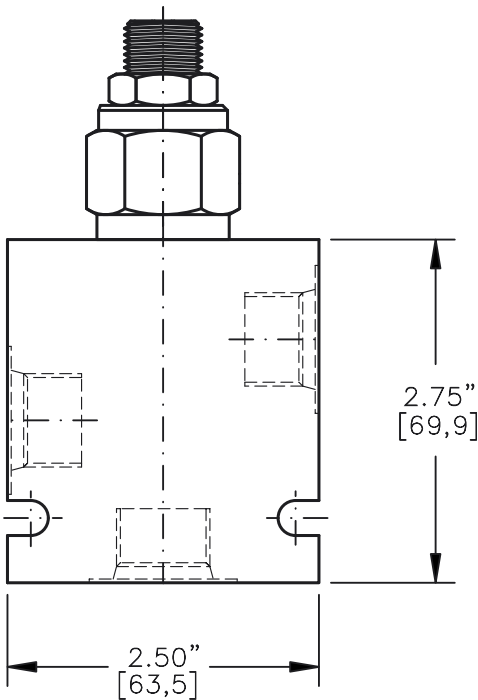
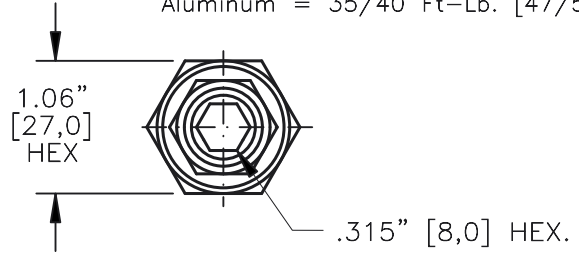
PRESSURE REDUCING/RELIEVING VALVE  
PILOT OPERATED, SLIDING SPOOL



Pat.#5,546,980

TORQUE:

Steel = 55/60 Ft-Lb. [74/81 Nm]  
Aluminum = 35/40 Ft-Lb. [47/54 Nm]



FOR ALUMINUM OR STEEL VALVE HOUSING CONFIGURATIONS SEE PAGE 0-032.1

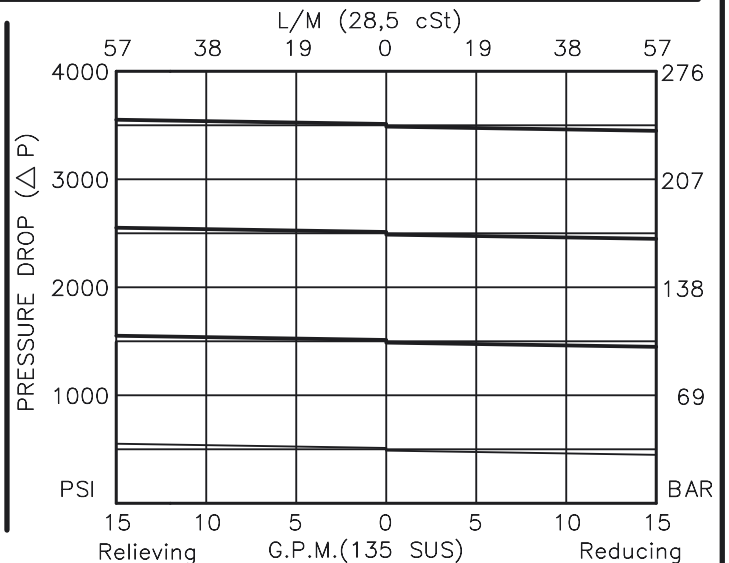
**PRRS-10-X-X-X-XX**

- BASIC
- SIZE  
10 = 7/8"-14 UNF
- SEALS  
N = BUNA "N"  
V = VITON
- ADJUSTMENT  
S = ADJUSTING SCREW  
C = CAPPED  
T = TAMPERPROOF  
K = HANDKNOB  
M = METAL HANDKNOB

- PRESSURE RANGE  
06 = 50 TO 600 PSI  
15 = 50 TO 1500 PSI  
30 = 50 TO 3000 PSI  
50 = 50 TO 5000 PSI

- PORTS  
0 = CARTRIDGE ONLY  
02BX = G 1/4" BSPP  
03BX = G 3/8" BSPP  
06TX = SAE - #6  
08TX = SAE - #8
- "A" - ALUM. HOUSING  
"S" - STEEL HOUSING

FOR ADJUSTMENT CONTROL  
OPTIONS SEE PAGE 0-050.0



## PRESSURE REDUCING/RELIEVING VALVE PILOT OPERATED, SLIDING SPOOL

### DESCRIPTION

This unit is a PILOT OPERATED, SLIDING SPOOL, SCREW IN CARTRIDGE STYLE, HYDRAULIC PRESSURE REDUCING/RELIEVING VALVE, designated to act as a pressure-regulating device for secondary circuit.

### OPERATIONS

This valve will allow flow from port 2 to port 1 until pressure in port 1 exceeds the force of the spring bias then the spool will shift and block flow from port 2 to port 1 and maintain the same pressure as the force of the spring setting regardless of the pressure at port 2. In this mode, the valve will also relieve from port 1 to port 3, regulating pressure at port 1.

### FEATURES AND BENEFITS

Leakproof screw adjustment.

Pressure in tank port (3) will add to the bias spring setting, and is limited to 2000 PSI.

Adjusting screw can not be backed out of the valve.

Overset protection—pilot spring can not go solid.

Hardened precision fitted spool & cage provides reliable, long life.

A unique self aligning (floating) cage provides very low hysteresis and reliable operation.

All external carbon steel parts are plated for longer life against the elements.

Valve is available with screw, tamperproof, capped and handknob adjustments.

All cartridge valves are 100% functionally tested.

Industry common cavity.

### SPECIFICATIONS

OPERATING PRESSURE: 5,000 PSI [350 Bar]

PROOF PRESSURE: 10,000 PSI [700 Bar]

FLOW: 12.0 GPM [46 L/M] nominal. See performance chart.

INTERNAL LEAKAGE: 5 cu.in./min [.82 cc/m] @ 85% of crack pressure.

DEFINITION OF CRACK: evident at 0.06 GPM [0.25 LPM]

VALVE HOUSINGS: 2500 PSI [175 Bar] = Aluminum – Anodized.

5000 PSI [350 Bar] = Steel – Unplated.

OPERATING TEMPERATURE: -40° to +250° F. [-40° to +120° C.]

OPERATING MEDIA: All general purpose hydraulic fluids such as

MIL-H-5606, SAE-#10, SAE-#20, etc.

INSTALLATION: No restriction.

FILTRATION: 25 microns or better.

SEAL KIT NUMBER: SKN-1031 for buna "N".

SKV-1031 for viton.

WEIGHT: 0.42 lb [.19 kg] cartridge only.

VALVE CAVITY: #C1030, See Page 0-032.0.

info.el@bucherhydraulics.com

www.bucherhydraulics.com/commoncavity

© 2015 by Bucher Hydraulics, Inc., 2545 Northwest Parkway, Elgin, Illinois 60124, USA

All rights reserved.

Data is provided for the purpose of product description only, and must not be construed as warranted characteristics in the legal sense.

The information does not relieve users from the duty of conducting their own evaluations and tests. Because the products are subject to continual improvement, we reserve the right to amend the product specifications contained in this catalogue.