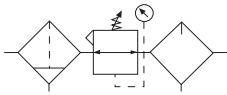


Combination CB7

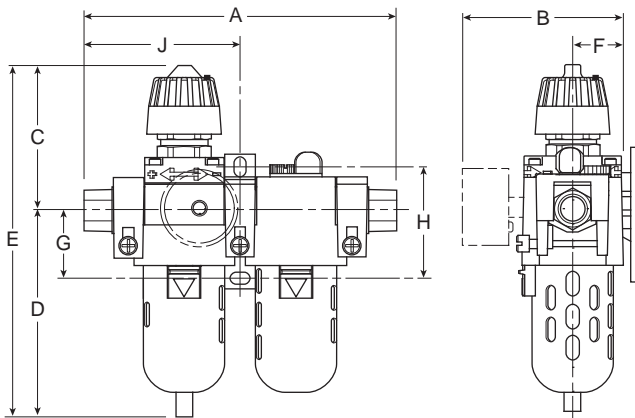
= "Most Popular"



CB7-02-000

Features

- Components Integrated into Single Unit
- Metal Bowl with Sight Gauge Option
- Pressure Gauge Standard
- Integral Plastic Bowl / Bowl Guard
- Quick Disconnect Bowl
- Standard Self-relieving



Specifications

Flow Capacity*	1/4	36.1 SCFM (17.0 dm ³ /s)
	3/8	58.5 SCFM (27.6 dm ³ /s)
	1/2	64.0 SCFM (30.2 dm ³ /s)

Gauge Ports (2)	NPT / BSPP-G	1/4
-----------------	--------------	-----

Port Threads	NPT	1/4, 3/8, 1/2
--------------	-----	---------------

Pressure & Temperature Ratings –		
Plastic Bowl		0 to 150 PSIG (0 to 10.3 bar) 32°F to 125°F (0°C to 52°C)

Metal Bowl		0 to 200 PSIG (0 to 14 bar) 32°F to 175°F (0°C to 80°C)
------------	--	--

Weight	5.58 lb. (2.5 kg)	
--------	-------------------	--

* Inlet pressure 150 PSIG (10.3 bar). Pressure drop 5 PSID (0.3 bar).

"F" Series Filters, Type "A" 5 micron elements: All Wilkerson Type "A" 5 micron elements **meet or exceed ISO Class 3** for maximum particle size and concentration of solid contaminants.

Materials of Construction

Body	Zinc
Bonnet, Knob	PBT
Bowls –	
Transparent	Polycarbonate
Metal	Zinc
Diaphragm	Nitrile / Zinc
Drain Stem	Acetal / Polycarbonate
Filter Elements	Polypropylene
Manual Drain –	
Body & Stem	Plastic
Seals	Nitrile
Piston Drain –	
Piston & Seals	Nitrile
Stem, Seat, Adaptor & Washers	Aluminum
Seals –	
Transparent	Nitrile
Metal	Fluorocarbon
Sight Dome	Nylon
Springs	Steel
Stem, Element Retainer and Deflector	Acetal
Suggested Lubricant	Airline Oil F442001

Dimensions

Model	Inches (mm)	A	B	C	D	E	F	G	H	J
Standard Unit With End Blocks CB7-XX-000		8.35 (212)	4.18 (106)	3.95 (44)	5.43 (137.9)	9.38 (238)	1.34 (34)	1.73 (44)	2.98 (75.7)	4.17 (76)

Note: For Kits and Repair Parts, see individual pages for Filters, Regulators, and Lubricators.

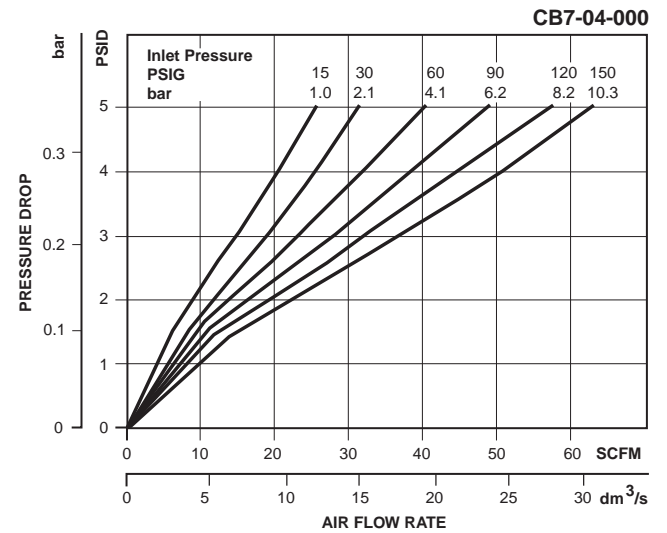
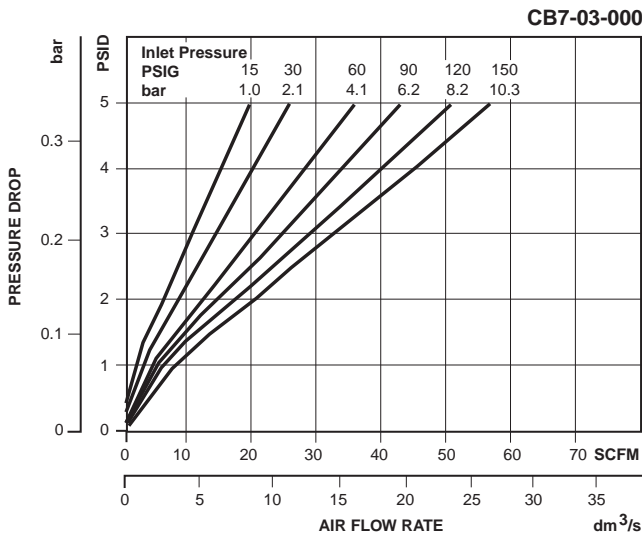
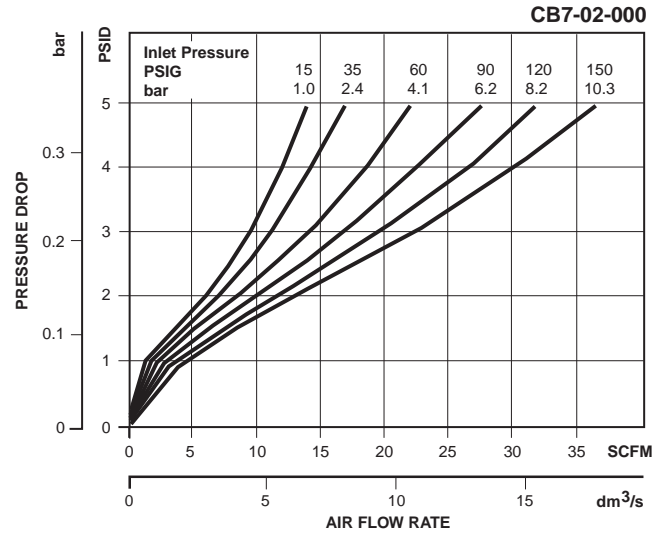
⚠ WARNING
Product rupture can cause serious injury. Do not connect regulator to bottled gas. Do not exceed maximum primary pressure rating.

CAUTION:

REGULATOR PRESSURE ADJUSTMENT – The working range of knob adjustment is designed to permit outlet pressures within their full range. Pressure adjustment beyond this range is also possible because the knob is not a limiting device. This is a common characteristic of most industrial regulators, and limiting devices may be obtained only by special design.

For best performance, regulated pressure should always be set by increasing the pressure up to the desired setting.

= "Most Popular"



Ordering Information

Model Type	Port Size	Plastic Bowl / Bowl Guard with End Blocks 0 to 125 PSIG (0 to 8.5 bar)	Metal Bowl / Sight Gauge 0 to 125 PSIG (0 to 8.5 bar)	Automatic Drain 0 to 125 PSIG (0 to 8.5 bar)
CB7	1/4	CB7-02-000	CB7-02-G00	CB7-02-F00
	3/8	CB7-03-000	CB7-03-G00	CB7-03-F00
	1/2	CB7-04-000	CB7-04-G00	CB7-04-F00

Options - To order an option supplied with the unit model, add the appropriate coded suffix letter in the designated position of the model number.