

This product compliance with RoHS.

# DISCONTINUED

Fig.1

Dimension

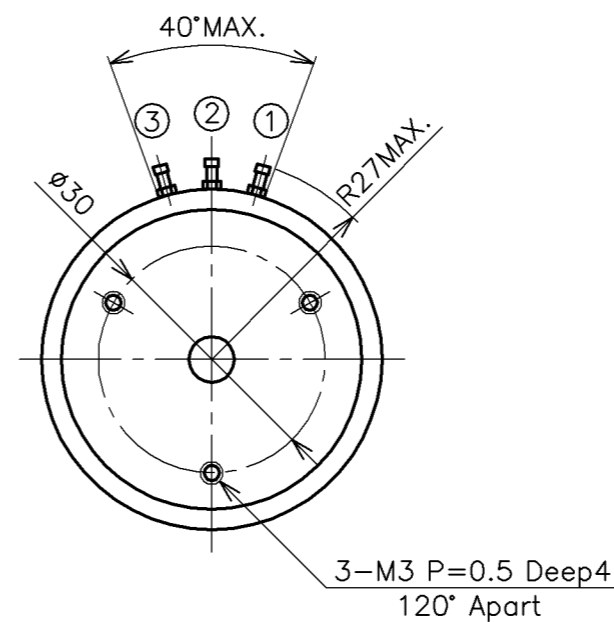
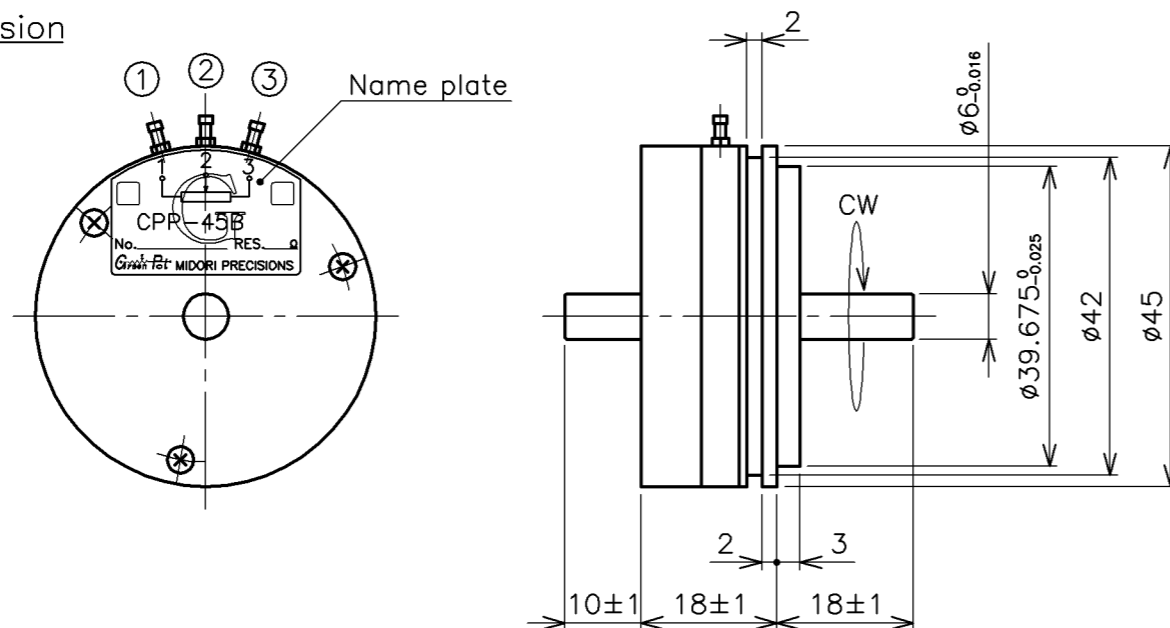
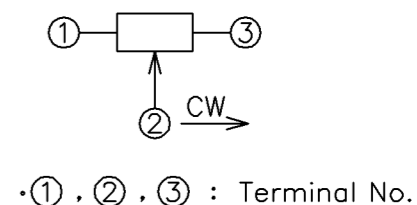


Fig.2

Schematics



Specifications

Effective electrical travel	:	350° ±3°
Total resistance	:	1 · 2 · 5 · 10kΩ ±15%
Independent linearity	:	±0.3% (Available: ±0.1%)
Rated dissipation	:	3W/+70℃
Output smoothness	:	0.1% MAX.
Insulation resistance	:	100MΩ MIN. DC1000V
Dielectric strength	:	AC1000V 1 minute
Temperature coefficient of resistance	:	±400ppm/K
Total mechanical travel	:	360° Endless
torque	:	1.8mN· m MAX.
Mass	:	Approx. 60g
Radial load tolerance	:	6N
Thrust load tolerance	:	2N
Operating temperature range	:	-40~+120℃
Dimension	:	See Fig.1
Schematics	:	See Fig.2

Vibration	:	150m/s <sup>2</sup> , 2000Hz 3axis 2hours.
Shock	:	500m/s <sup>2</sup> , 11ms 6axis 3times.
Life cycle	:	10Million cycles MIN.

(The life cycles shall be defined by reaching one of any following specifications on the conditions of 60~400rpm constant cycles under room temperature, room humidity and no mechanical load.)

- Variation of total resistance value...by 10% of initial value.
- Independent linearity...by 1.5 times of standard value.
- Output smoothness...by 1.5 times of standard value.
- torque...by 1.5 times of standard value.

# DISCONTINUED

REV.	DATE	DESCRIPTION	APPROVED	CHECKED	DRAWN

SPECIFICATION DRAWING		CUSTOMER/SPEC. NO.	
MODEL: CPP-45B			
APPROVED T.Yamazaki	TOLERANCE ≤10 ±0.25 10< ≤100 ±0.5 100< ±1.0 ANGLE ±1.5°	DATE 1.26. 2017	MIDORI PRECISIONS CO., LTD.
CHECKED T.Yamazaki	SCALE 1:1	DRAWING NO. C-MPE-B90	REV. 0
DRAWN k.Yoshino	DRAWING PRACTICE		