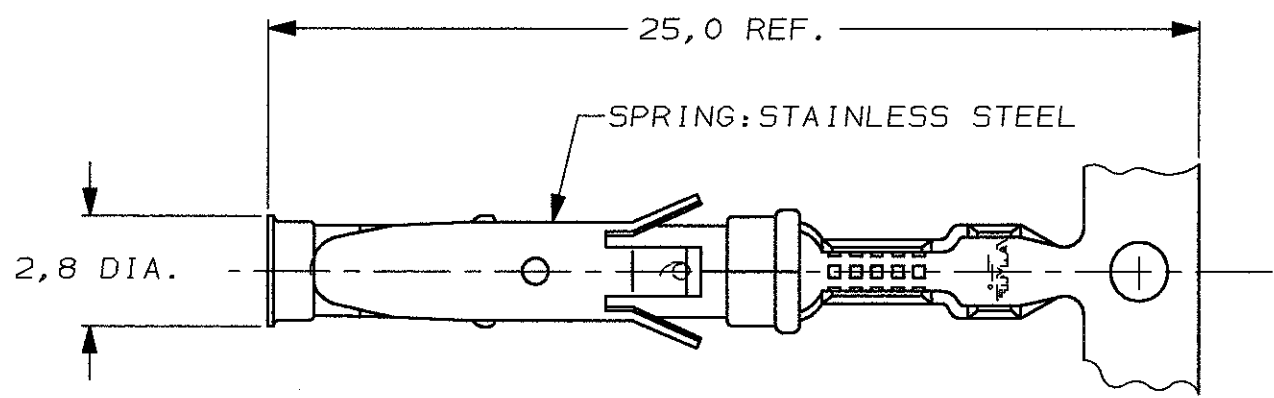
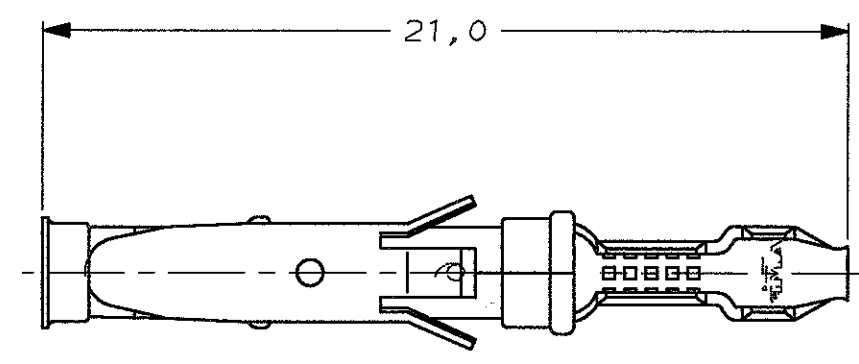


DO NOT SCALE
DIMENSIONS IN mm

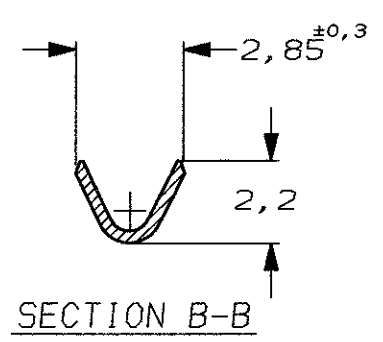
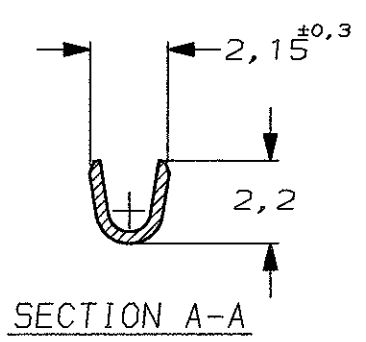
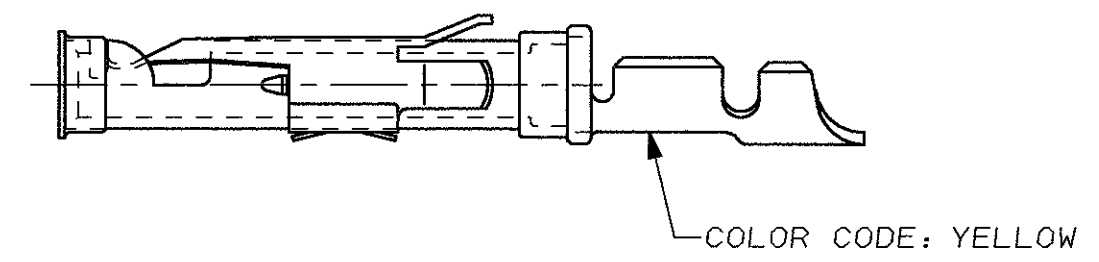
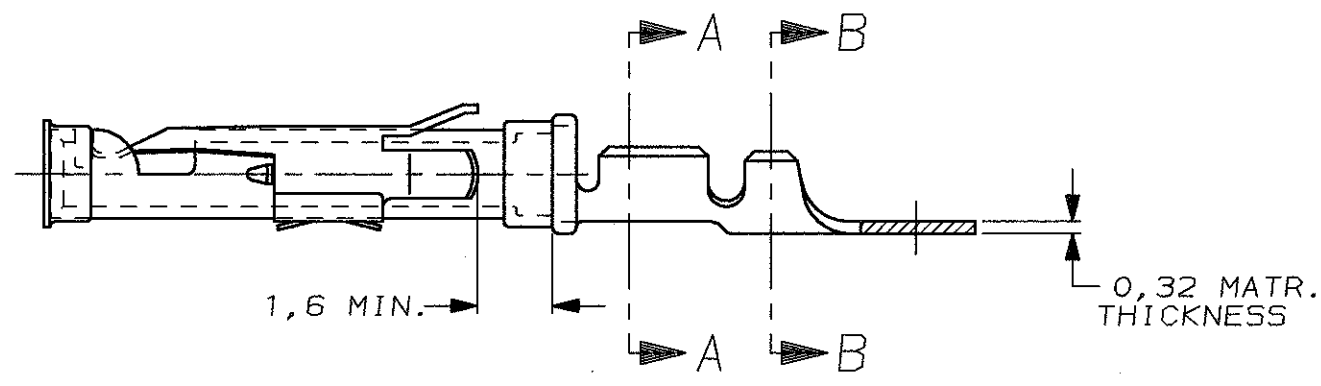
METRIC



STRIP



LOOSE-PIECE



WIRE RANGE : 0,20-0,50 mm² (24-20 AWG)
INSUL. RANGE : 1,1 -1,8 mm (.045-.070)

- NOTES :
- 1 U.L.RECONIZED UNDER FILE E28476 VOL.VI SEC. I
 - 2 FOR CRIMPDETAILS SEE AMP-SPEC. 114-19.000 .
 - 3 MEETS PRODUCTSPECIFICATION 108-10042.
 - 4 SPECIAL REEL WITH 200 PCS FOR REEL-FED HAND-TOOL
 - 5 OBSOLETE PARTS: OBSOLETE CIS STREAMLINING PER D.RENAUD/D.SINISI
 - 6 OBSOLETE

NOTES	MATERIAL	THICKNESS	AREA
20	TIN	2,0 μm	ALL OVER
21	NICKEL GOLD TIN/LEAD	0,8 μm	ALL OVER CONTACT AREA BARREL
22	NICKEL GOLD GOLD	0,8 μm	ALL OVER CONTACT AREA ALL OVER
23	NICKEL GOLD GOLD	1,2 μm	ALL OVER CONTACT AREA ALL OVER
24	NICKEL SILVER TIN/LEAD	2,5 μm	ALL OVER CONTACT AREA BARREL
25	SILVER NICKEL	1,5-2,5 μm 0,76 μm	ALL OVER ALL OVER
26	SILVER	2,5 μm	ALL OVER
29	NICKEL BRGHT TIN/LEAD	1,27 μm 1,27 μm	ALL OVER ALL OVER
31	LUBRICATED		

5	5	5	5	5	5	5	5	5	5
	1-163087-5	A	6	1-163088-4	BRASS	SILVER	28		
	1-163087-4	A	6	1-163088-4	BRASS	EL. TIN	31	20	
5	1-163087-3	A	6	1-163088-3	BRASS	BR. TIN/LEAD	30		
	5-163087-3	A			BRASS	ECON. GOLD	21		
	5-163087-2	A			BRASS	SEL. GOLD	22		
5	5-163087-1	A			BRASS	EL. TIN	20		
	1-163087-2	B	6	1-163088-1	BRASS	GOLD	23		
	1-163087-1	A			BRASS	ECON. GOLD	21		
	1-163087-0	B		1-163088-0	BRASS	ECON. GOLD	21		
	163087-9	A			BRASS	EL. TIN	20		
	163087-8	A			BRASS	SEL. GOLD	22		
	163087-2	1	B	163088-2	BRASS	SEL. GOLD	22		
	163087-1	1	B	163088-1	BRASS	EL. TIN	20		
	PARTNUMBER	DIRECTION OF REEL	LOOSE-PIECE	MATERIAL	PLATING				

DIRECTION OFF TOP OF REEL	AMPOMATOR + MINI-APPL. 107-3-F16.1	107-3-F16.2	107-3-F16.4
	A	B	C

CUSTOMER DRAWING FOR REFERENCE ONLY WILL NOT BE UPDATED

THIS DRAWING IS UNPUBLISHED
RELEASED FOR PUBLICATION _____, 19____



NAME
SOCKET TYPE III CONTACT
SIZE 16

AD2	REVISED PER ECO-11-005140	RK	HMR	3MAY11	
LTR.	REVISION RECORD	DR.	CHK.	DATE	
DR.:	-	CHK.:	-	APP.:	-
DATE:	-	DATE:	-	DATE:	-

DWG.No.	163087	REV.LTR.	AD2	SHEET	1 OF 1	A3
---------	--------	----------	-----	-------	--------	----