

Triad Process Equipment

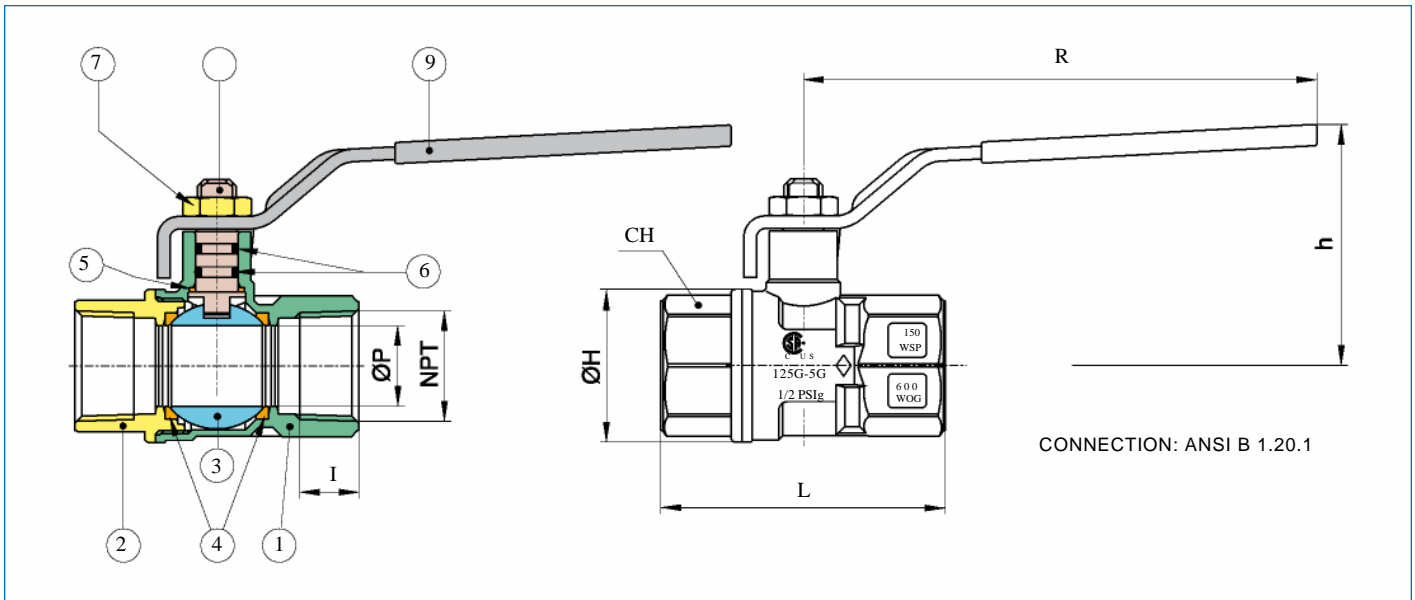
SERIES 11 COMPACT STYLE



Brass ball valve, female/female, full port sizes 1/2" to 2".
 'Pressure rating 600 WOG - 150 WSP.
 'Temperature to 366°F.
 'Blow out proof stem, chrome plated brass ball.
 'P.T.F.E. seats and double O-ring stem packing.
 '100% electronically tested In the open and closed position at 80 psi.



Acc. to
NSF 61



N Pos	PART NAME	MATERIAL	N PCS
1	BODY	BRASS CW617N UNI EN 12165	1
2	END CONNECTION	BRASS CW 617N UNI EN 12165	1
3	BALL	BRASS CW617N UNI EN 12165	1
4	BALL SEAT	P.T.F.E	2
5	THRUST WASHER	P.T.F.E	1
6	O-RING	NBR	1
		VITON®	1
7	NUT	Steel 6S	1
8	STEM	BRASS CW 614N UNI EN 12164	1
9	HANDLE	Fe DD11 UNI EN 10111	1

SIZE	ØP	I	L	ØH	CH	R	h	CV	psi	Lbs
1/2"	0.55	0.53	2.32	1.18	0.98	3.86	1.81	19.00	600	0.39
3/4"	0.75	0.55	2.63	1.41	1.22	4.80	2.24	34.50	600	0.64
1"	0.94	0.66	3.01	1.71	1.49	4.80	2.32	50.18	600	0.97
1 1/4"	1.18	0.68	3.36	2.08	1.88	6.02	2.87	103.70	600	1.61
1 1/2"	1.50	0.68	3.70	5.56	2.12	6.02	3.11	268.40	600	2.16
2"	1.85	0.69	4.21	3.15	2.63	6.38	3.68	309.20	600	3.50