
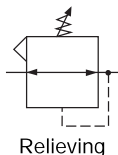


Dial-Air™ Regulator R11

 = "Most Popular"



R11-02-000

Features

- Pressure Reference Indicating Dial Face
- Non-rising Pressure Adjustment Knob
- Self-Relieving
- Full Pressure Adjustment in Less Than One Full Turn
- Recommended for Pilot-Air Applications (Low Flow)

Specifications

Flow Capacity*	1/4	0.8 SCFM (0.377 dm ³ /s)
Adjusting Range Pressure	0 to 40 PSIG (0 to 2.8 bar)	0 to 160 PSIG (0 to 11 bar)
Bleed Rate		0.05 SCFM (0.024 dm ³ /s)
Maximum Supply Pressure		300 PSIG (20.7 bar)
Operating Temperature		32° to 150°F (0° to 65.5°C)
Port Size	NPT / BSPP-G	1/4
Weight	lb. (kg)	1.3 (0.5)

* Inlet pressure 100 PSIG (6.9 bar). Secondary pressure 90 PSIG (6.2 bar).

Materials of Construction

Body	Zinc
Bonnet	Zinc / Brass
Piston	Acetal
Seals	Nitrile
Springs	Steel
Valve Assembly	Brass / Nitrile / Acetal

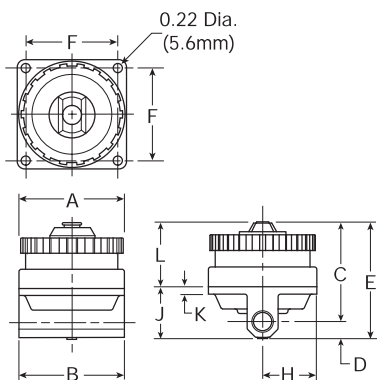
⚠ WARNING

**Product rupture can cause serious injury.
Do not connect regulator to bottled gas.
Do not exceed maximum primary pressure rating.**

CAUTION:

REGULATOR PRESSURE ADJUSTMENT – The working range of knob adjustment is designed to permit outlet pressures within their full range. Pressure adjustment beyond this range is also possible because the knob is not a limiting device. This is a common characteristic of most industrial regulators, and limiting devices may be obtained only by special design.

For best performance, regulated pressure should always be set by increasing the pressure up to the desired setting.



NOTE: Panel mounting requires (2) 11/16" (69mm) diameter holes and (4) 7/32" (5.5mm) screw holes. Unit can be mounted on material up to 1-1/4" (32mm) thick.

Dimensions

Model	Inches (mm)	A	B	C	D	E	F	H	J	K	L
Standard Unit R11-02-000		2.60 (66)	2.60 (66)	2.40 (60.9)	.40 (10)	2.80 (71)	2.20 (55.9)	1.30 (33)	1.25 (31.8)	.18 (4.6)	1.56 (39.6)

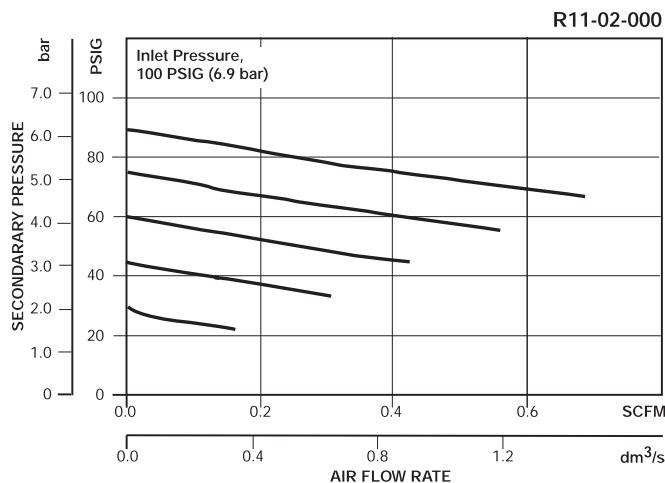
Replacement Kits

- Conversion Kit (Series A to Series B) RRP-95-765
- O-ring, Repair Kit GRP-95-260
- Spring, Regulating, Belleville Washer –
- 2 to 40 PSIG (0.1 to 3 bar) RRP-95-906
- 5 to 160 PSIG (0.4 to 11 bar) RRP-95-905
- Valve, Pilot with O-ring and Valve Spring RRP-96-934

Accessories

- Tamper Resistant Kit RRP-95-585

= "Most Popular"



B
Filters, Regulators, Lubricators

Ordering Information

Model Type	Port Size	Standard Pressure 5 to 160 PSIG (0.4 to 11 bar)	Low Pressure 2 to 40 PSIG (0.1 to 3 bar)
Pilot	1/4	R11-02-000	R11-02-L00

Options - To order an option supplied with the unit model, add the appropriate coded suffix letter in the designated position of the model number.