

UMC ELECTRIC ACTUATOR

FEATURES

UMC and UMCL electric actuators are intended for motorising ¼ turn valves with a torque of 100 to 150Nm. With a compact construction and plastic housing, they especially well suited for motorising small-size ball valves and butterfly valves. IP65 leak-tightness: it can be used indoors and outdoors under a shelter.

AVAILABLE MODELS

100Nm and 150Nm torques
Supply voltages: 230V AC, 24V AC and 24V DC



LIMITS OF USE

IP Code	IP 65
Ambient temperature	- 10°C / +60°C
Service factor	S4-30%

MECHANICAL FEATURES

Gear box	treated steel pinions
Angle of rotation	90° +/- 5°
Declutching	Without
Override control	By key (except UML)



Actuator	UMC10	UMC15			UMC 15L
Voltage	230V AC	230V AC	24V AC	24V DC	230V AC
Torque (Nm)	100	150			
Manoeuvring time (s)	8	8	8	8	45
ISO 5211	F03 / F07 – star 17				

ELECTRICAL FEATURES

Motor protection	Thermal switch
Limit switches	2 adjustable switches
Auxiliary switches	2 adjustable dry switches
Anti-condensation	as an option
Electrical connection	2 C.G. ½" PF

Actuator	UMC10	UMC15			UMC 15L
Voltage	230V AC	230V AC	24V AC	24V DC	230V AC
Power (W)	25	25	25	25	25
Current (A)	0.42	0.42	0.5	0.5	0.42

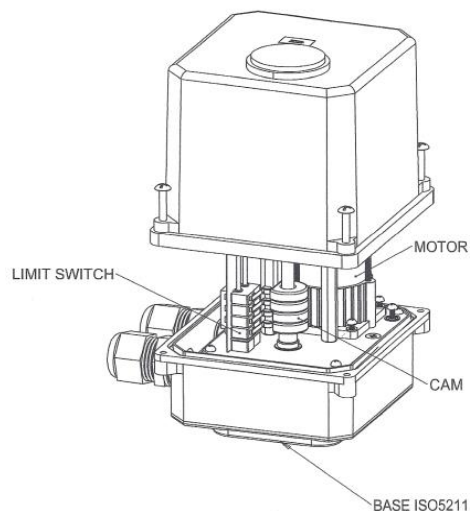
Information given as an indication only, and subject to possible modifications

	SECTORIEL S.A. 45 rue du Ruisseau 38290 SAINT QUENTIN-FALLAVIER – FRANCE Telephone: +33 4 74 94 90 – Fax: +33 4 74 94 13 95 www.sectoriel.fr / Email : sectoriel@sectoriel.fr	Pages	1/3
		Ref.	FT2224 ENG
		Rev.	10
		Date	03/2016

UMC ELECTRIC ACTUATOR

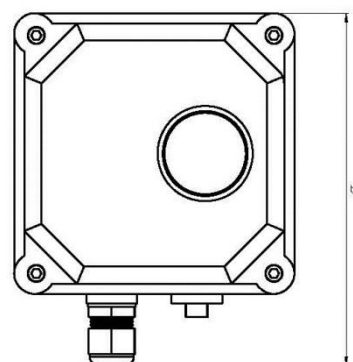
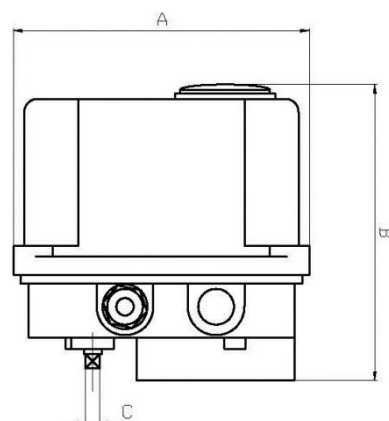
CONSTRUCTION

Housing	PA 66 plastic
Cover	PA 66 plastic
Gear boxes	Treated steel
Stem end	Star
Adjustable cams	Steel
Position indicator	Plexiglas



DIMENSIONS (mm)

A	165
B	165
C	8
D	200

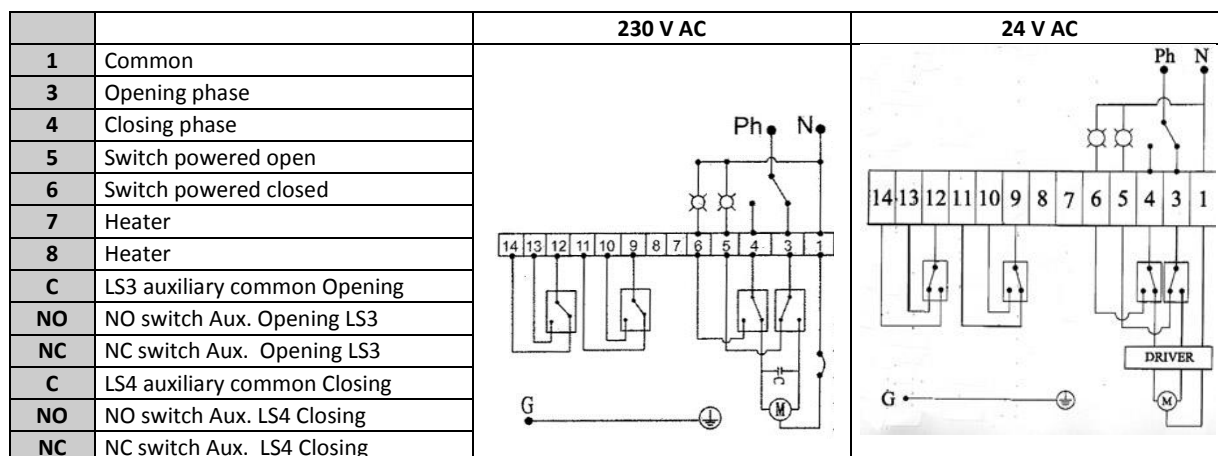


Information given as an indication only, and subject to possible modifications

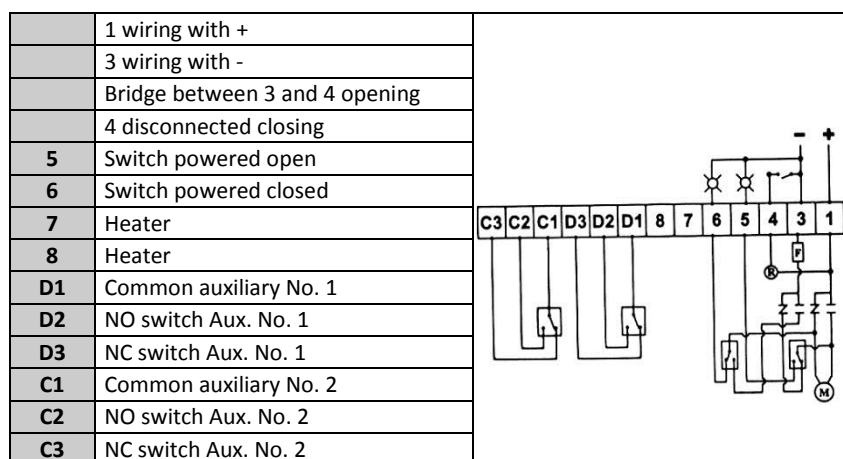
	SECTORIEL S.A. 45 rue du Ruisseau 38290 SAINT QUENTIN-FALLAVIER – FRANCE Telephone: +33 4 74 94 90 – Fax: +33 4 74 94 13 95 www.sectoriel.fr / Email : sectoriel@sectoriel.fr	Pages	2/3
		Ref.	FT2224 ENG
		Rev.	10
		Date	03/2016

UMC ELECTRIC ACTUATOR

WIRING DIAGRAM 230V AND 24 V AC



WIRING DIAGRAM 24V DC



Information given as an indication only, and subject to possible modifications

	SECTORIEL S.A. 45 rue du Ruisseau 38290 SAINT QUENTIN-FALLAVIER – FRANCE Telephone: +33 4 74 94 90 – Fax: +33 4 74 94 13 95 www.sectoriel.fr / Email : sectoriel@sectoriel.fr	Pages	3/3
		Ref.	FT2224 ENG
		Rev.	10
		Date	03/2016