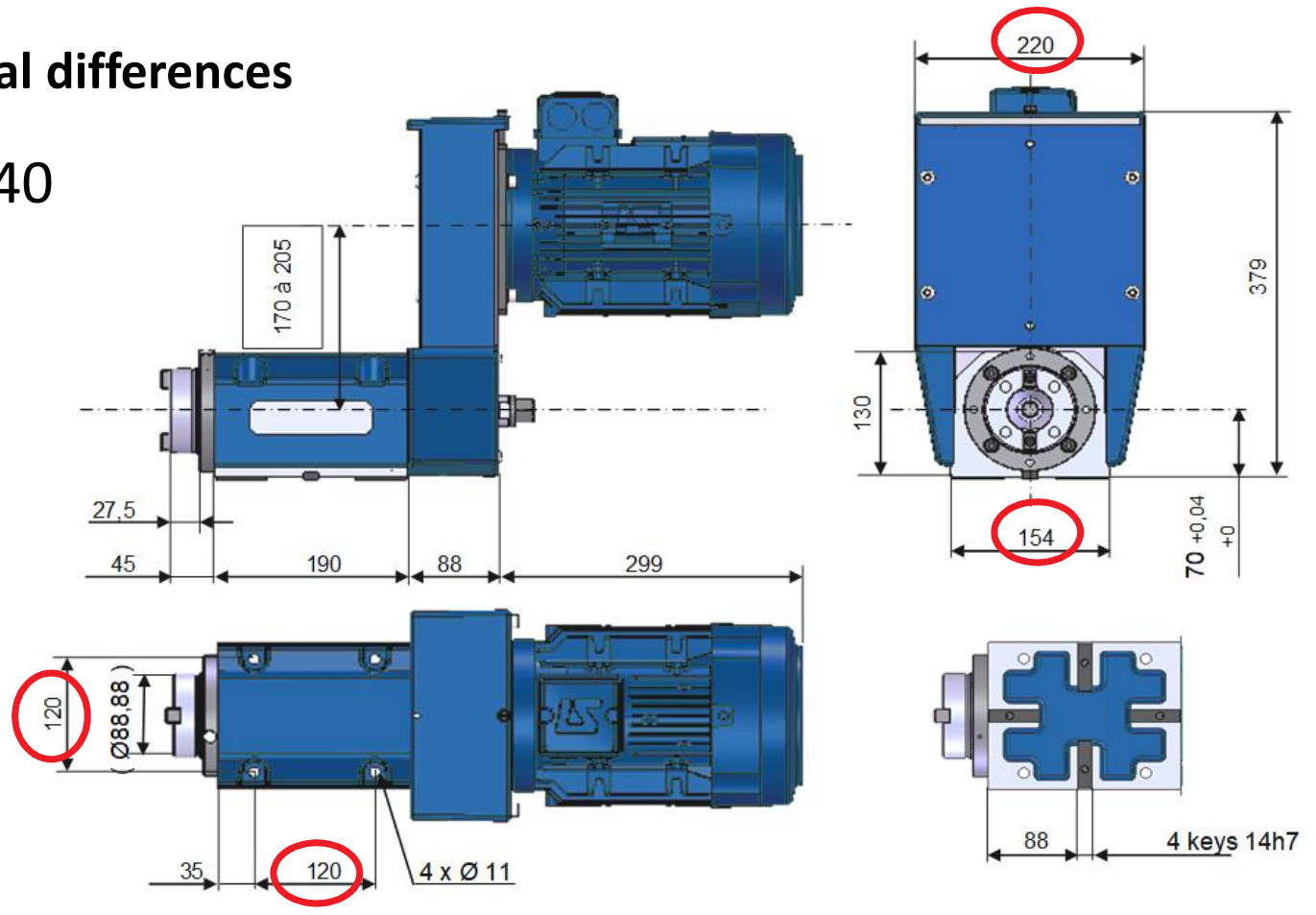


## Dimensional differences

MAX40



## Dimensional differences

BEX35

