

VP2 450 1/Y

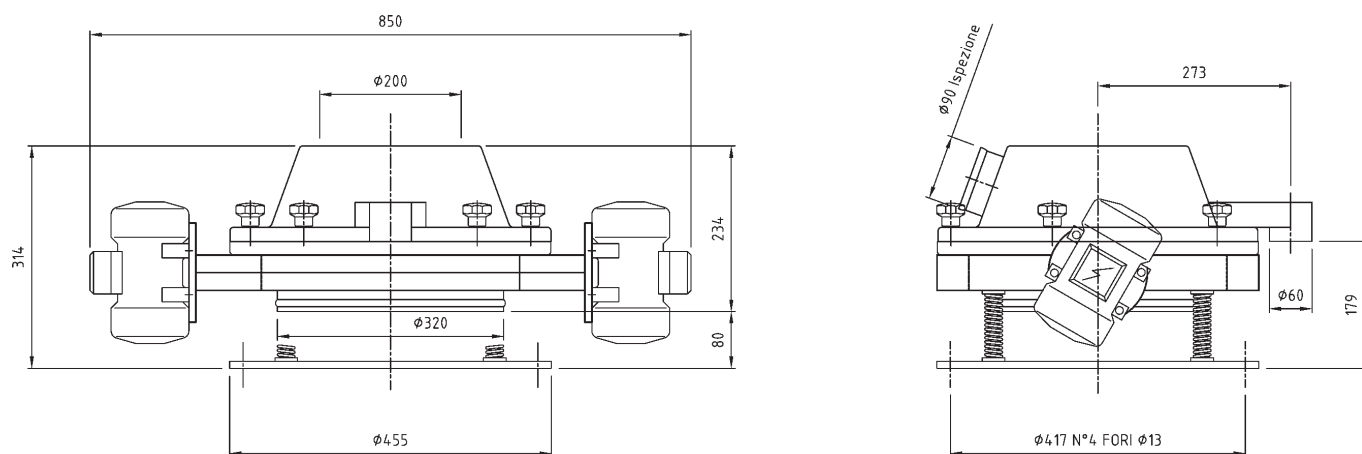
POWDER SCREENING



TECHNICAL FEATURES	VP2 450 1/Y
Electrical power (kW)	0.18 + 0.18
Centrifugal force (kg)	394
Sieving decks	1
Mesh surface (m ²)	0.104
Weight (kg)	35

CONSTRUCTION FEATURES

- Open bottom with outlet
- Parts in contact with the product made of AISI 304 stainless steel
- Two side motovibrators, IP 65 insulation, ATEX zone 22 certified



Dimensions in mm.

APPLICATIONS

- At press supply stages
- At hopper discharge
- On powder transport lines.

ADVANTAGES

- High capacity thanks to the big central outlet
- No scales left
- Easy to install thanks to its low profile

The data here indicated are purely indicative and can be modified by Cuccolini without any notice.
Precise values are communicated upon request.

Any unauthorized copy of this document will be legally pursued.

VP2 900-1200-1500-2000 2/X

VIBRATING DUST SCREEN

TECHNICAL FEATURES	900	1200	1500	2000
Power (kW)	0,62+0,62	0,62+0,62	0,9 + 0,9	1,1+1,1
Centrifugal force (kg)	1342	1342	2810	3600
Number screening nets	2	2	2	2
Screening surface (m ²)	0,587+0,587	0,932+0,932	1,575	2,6+2,6
Weight (kg)	230	280	370	850

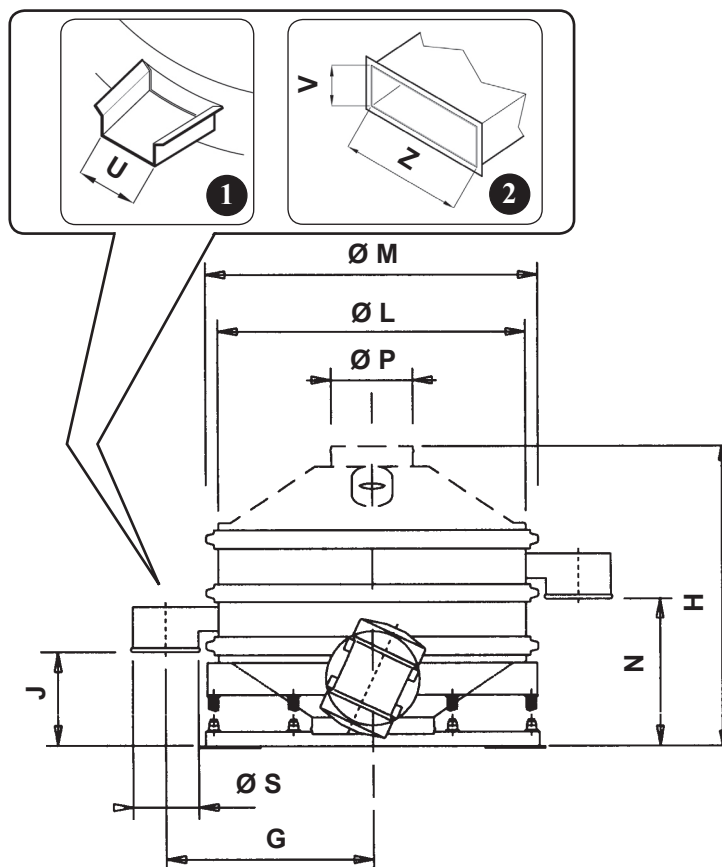
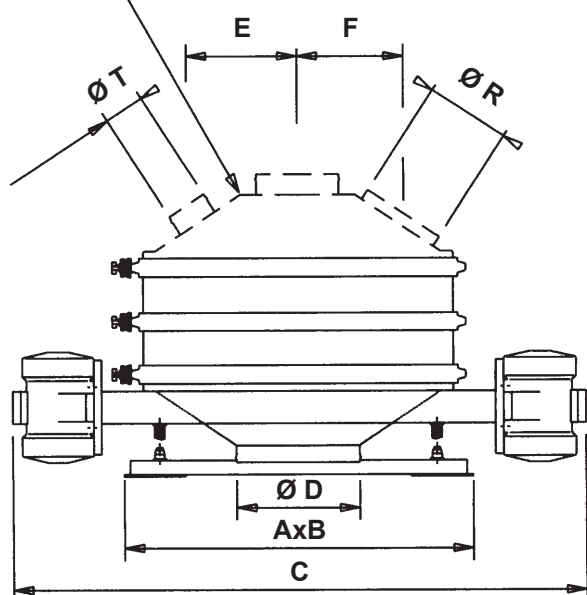
STRUCTURAL FEATURES

- Open base with discharge outlet connected to the power feed
- Two lateral motor vibrators, IP65, certified ATEX zone 22.
- Contact material in stainless steel AISI 304

1 Available only with range H=150
Even for the round mouth the range will have a height of 150

2 Available only with range H=225.

OPTIONAL



Models	A x B	C	ØD	E	F	G	H	J	ØL	ØM	N	ØP	ØR	ØS	ØT	U	V	Z
900	860x970	1510	400	280	270	615	795	305	947	993	455	200	1 x 200	160	100	140	165	265
1200	1040x1180	1730	400	315	315	725	970	370	1158	1230	560	200	2 x 200	160	100	140	165	265
1500	1403x1403	2393	500	375	375	924	1011	459	1504	1571	609	300	3 x 200	200	100	140	165	265
2000	1902x1902	2688	600	650	650	1160	1118	517	1920	2012	706	300	3 x 204	200	100	200	165	265

USE

- In powder conveyor lines
- At the storage silos discharge outlet
- At the sprayers discharge outlet
- At the press feed
- At the mills discharge outlet

ADVANTAGES

- High flow thanks to the large central discharge outlet
- Formation of crusts eliminated
- Easy installation due to its low profile

The data here indicated are purely indicative and can be modified by CUCCOLINI s.r.l without any notice. Precise values are communicated upon request. Any unauthorized copy of this document will be legally pursued.

CUCCOLINI®

CUCCOLINI s.r.l. - Sede amm.va e stabilimento: via Raffaello Sanzio, 2 - 42100 Reggio Emilia - Italy
Tel. + 39 0522 92.20.00 - Fax + 39 0522 92.10.93 - info@cuccolini.it - www.cuccolini.it

VP2 500-800 1/X



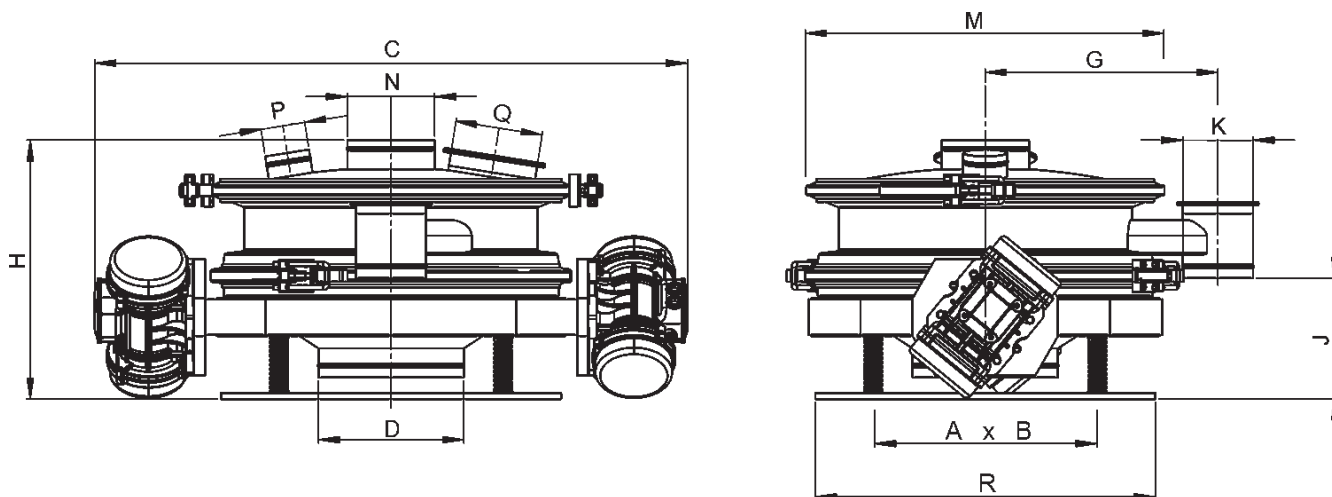
POWDER SCREENING

TECHNICAL FEATURES	VP2 500 1/X	VP2 800 1/X
Electrical power (kW)	0,17 + 0,17	0,3 + 0,3
Centrifugal force (kg)	426	854
Sieving decks	1	1
Mesh surface (m ²)	0,196	0,360
Weight (kg)	60	95

CONSTRUCTION FEATURES

- Open bottom with outlet
- Two side motovibrators IP 65 insulation, ATEX zone 22 certified
- Parts in contact with the product made of AISI 304 stainless steel

Dimensions in mm.



MODELLI	∅ AxB	C	D	G	H	K	J	M	N	P	Q	R
VP2 500 1/X	4f ∅11 gf 545	1019	∅250	400	445	∅121	207,5	∅620	∅150	∅76,1	∅150	∅585
VP2 800 1/X	4f ∅13 gf 729	1398	∅300	507	573	∅150	204	∅815	∅200	∅100	∅200	∅770

APPLICATIONS

- On powder transport lines
- At storage bin discharge
- At spray-drier discharge
- At press supply stages
- At mill discharge

ADVANTAGES

- High capacity thanks to the big central outlet
- No scales left
- Easy to install thanks to its low profile

The data here indicated are purely indicative and can be modified by Cuccolini without any notice.

Precise values are communicated upon request.

Any unauthorized copy of this document will be legally pursued.

VP2 500-800 2/X



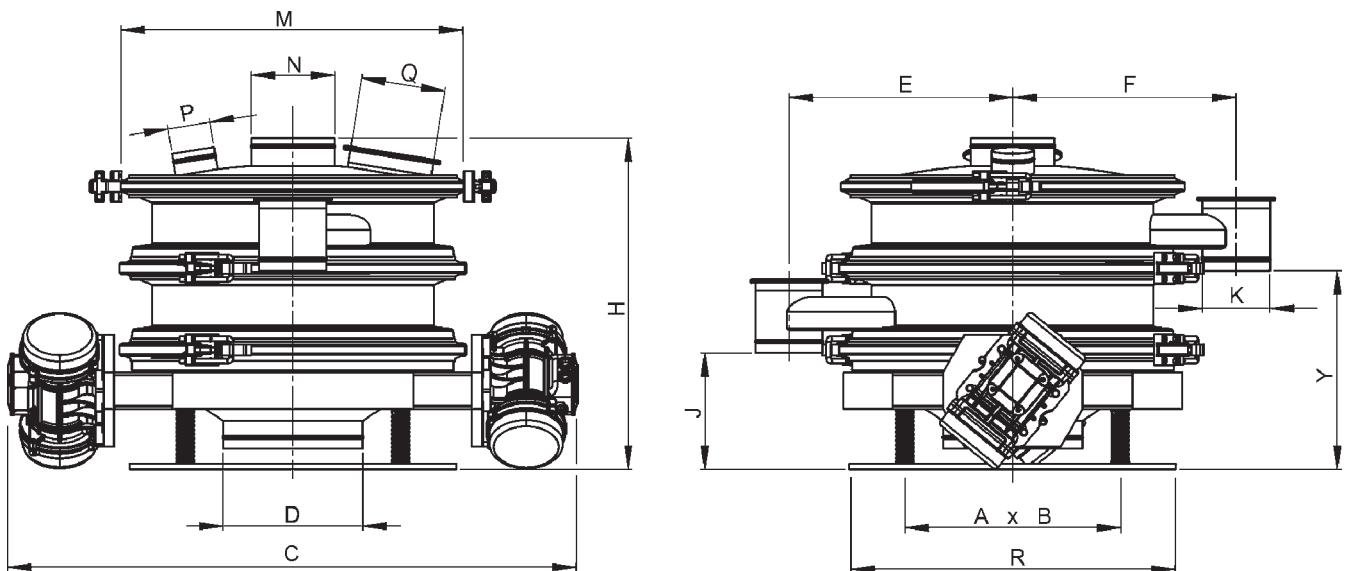
POWDER SCREENING

TECHINICAL FEATURES	VP2 500 2/X	VP2 800 2/X
Potenza elettrica (kW)	0,17 + 0,17	0,3 + 0,3
Forza centrifuga (kg)	426	854
Numero reti vaglianti	2	2
Superficie vagliante (m ²)	0,196 + 0,196	0,360 + 0,360
Peso (kg)	60	105

CONSTRUCTION FEATURES

- Open bottom with outlet
- Two side motovibrators IP 65 insulation, ATEX zone 22 certified
- Parts in contact with the product made of AISI 304 stainless steel

Dimensions in mm.



MODELS	Ø AxB	C	D	E	F	H	K	J	Y	M	N	P	Q	R
VP2 500 2/X	4f Ø13 gf 545	1019	Ø250	400	400	592	Ø121	208	355	Ø620	Ø150	Ø76,1	Ø150	Ø585
VP2 800 2/X	4f Ø13 gf 729	1398	Ø300	507	400	573	Ø150	204	350	Ø815	Ø200	Ø100	Ø200	Ø770

APPLICATIONS

- On powder transport lines
- At storage bin discharge
- At spray-drier discharge
- At press supply stages
- At mill discharge

ADVANTAGES

- High capacity thanks to the big central outlet
- No scales left
- Easy to install thanks to its low profile

The data here indicated are purely indicative and can be modified by Cuccolini without any notice.

Precise values are communicated upon request.

Any unauthorized copy of this document will be legally pursued.

VP2 900-1200-1500-2000 1/X

VIBRATING DUST SCREEN

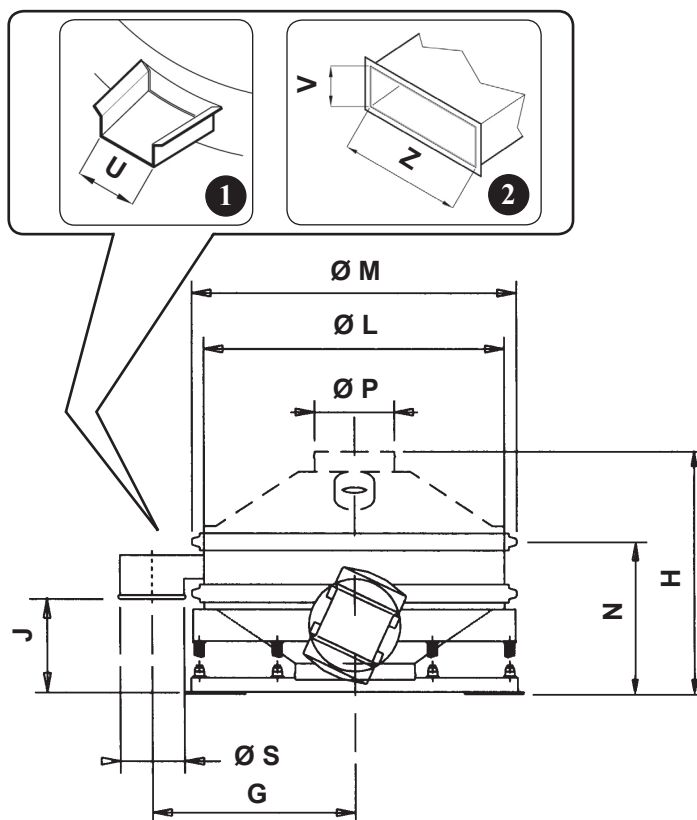
TECHNICAL FEATURES	900	1200	1500	2000
Power (kW)	0,62+0,62	0,62+0,62	0,9 + 0,9	1,1+1,1
Centrifugal force (kg)	1342	1342	2810	3600
Number screening nets	1	1	1	1
Screening surface (m ²)	0,587	0,932	1,575	2,6
Weight (kg)	200	250	320	770

STRUCTURAL FEATURES

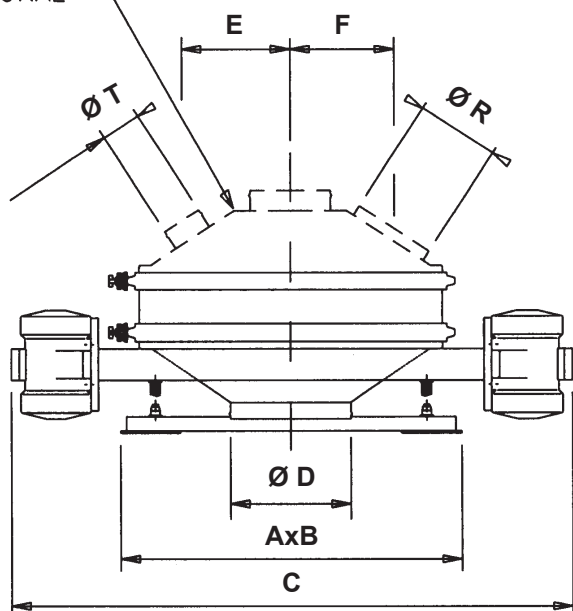
- Open base with discharge outlet connected to the power feed
- Two lateral motor vibrators, IP65, certified ATEX zone 22.
- Contact material in stainless steel AISI 304



- 1 Available only with range H=150
Even for the round mouth the range will have a height of 150
- 2 Available only with range H=225.



OPTIONAL



Models	A x B	C	ØD	E	F	G	H	J	ØL	ØM	N	ØP	ØR	ØS	ØT	U	V	Z
900	860x970	1510	400	280	270	615	700	305	947	993	325	200	1 x 200	160	100	140	165	265
1200	1110x1180	1730	400	315	315	725	843	355	1168	1225	560	200	2 x 200	160	100	140	165	265
1500	1403x1403	2393	500	375	375	924	861	459	1504	1571	685	300	3 x 200	200	100	140	165	265
2000	1902x1902	2688	600	650	650	1160	929	517	1920	2012	727	300	3 x 204	200	100	200	165	265

USE

- In powder conveyor lines
- At the storage silos discharge outlet
- At the sprayers discharge outlet
- At the press feed
- At the mills discharge outlet

ADVANTAGES

- High flow thanks to the large central discharge outlet
- Formation of crusts eliminated
- Easy installation due to its low profile

The data here indicated are purely indicative and can be modified by CUCCOLINI s.r.l. without any notice. Precise values are communicated upon request. Any unauthorized copy of this document will be legally pursued.

CUCCOLINI®

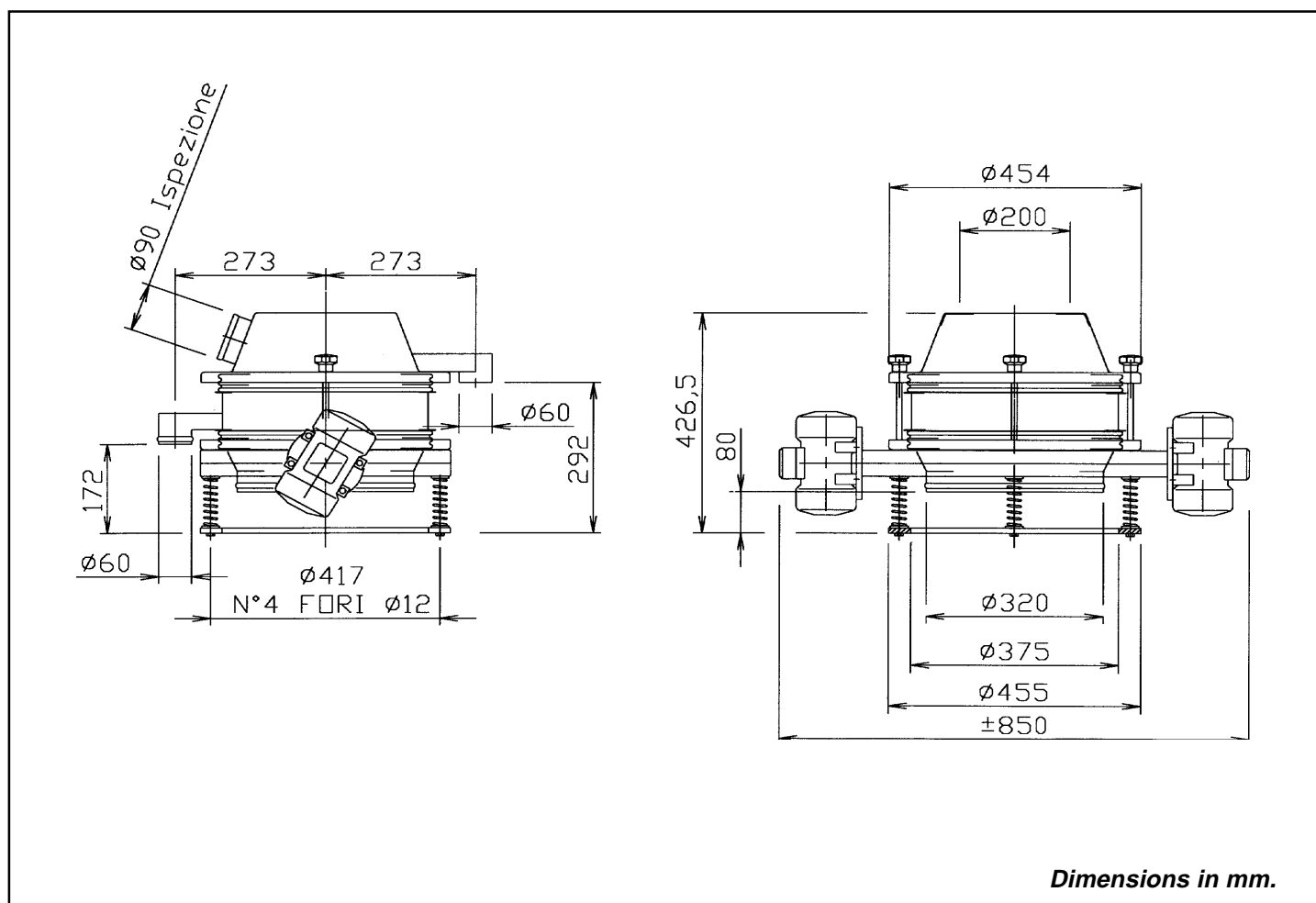
CUCCOLINI s.r.l. - Sede amm.va e stabilimento: via Raffaello Sanzio, 2 - 42100 Reggio Emilia - Italy
Tel. + 39 0522 92.20.00 - Fax + 39 0522 92.10.93 - info@cuccolini.it - www.cuccolini.it

VP2 450 2/Y**POWDER SCREENING**

TECHNICAL FEATURES	VP2 450 2/Y	
Electrical power (kW)	0.18 + 0.18	
Centrifugal force (kg)	394	
Sieving decks	2	
Mesh surface (m ²)	0.104 + 0.104	
Weight (kg)	45	

CONSTRUCTION FEATURES

- Open bottom with outlet
- Parts in contact with the product made of AISI 304 stainless steel
- Two side motovibrators, IP 65 insulation, ATEX zone 22 certified

**APPLICATIONS**

- At press supply stages
- At hopper discharge
- On powder transport lines.

ADVANTAGES

- High capacity thanks to the big central outlet
- No scales left
- Easy to install thanks to its low profile

The data here indicated are purely indicative and can be modified by Cuccolini without any notice.
Precise values are communicated upon request.

Any unauthorized copy of this document will be legally pursued.