

CABLE DATASHEET

**Nexans Power Accessories
Germany GmbH**

Ferdinand-Porsche-Straße 12
D-95028 Hof/Saale

Tel.: +49(0)9281 / 8306 - 0
Fax: +49(0)9281 / 8306 - 480
E-Mail: Kundenzentrum.Hof@nexans.com

Company:

DSM

Address:

Piura, Peru

Tel.:

Fax:

E-Mail:

Cable Data

Cable N2XSY, 8.7/15kV, 1x35mm² - marca NEXAS (INDECO - Perú)

Cable type:

Single core
Three core
Other

Single core flexible rubber insulated cable
Three core flexible rubber insulated cable
Standard

Conductor material:

Aluminium
Copper

cross section mm²

Conductor shape:

stranded conductor
solid conductor
flexible sector conductor
solid sector conductor
flexible conductor

RM(V)
RE
SM
SE
RF

Soft compacted copper, class 2 (wires number: 7)

N2XSY 8,7/15 kV 35 mm²

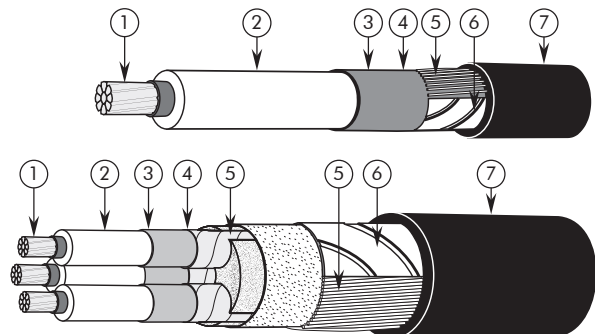
Ref. Nexans P00000723-2



empresa Nexans

▶ See all N2XSY 8,7/15 kV products

Type of cable:



System Voltage:

3.6/6 (7.2) kV
6/10 (12) kV
6.35/11 (12) kV
8.7/15 (17.5) kV
12/20 (24) kV
12.7/22 (24) kV
18/30 (36) kV
19/33 (36) kV
20.8/36 (42) kV
Other: kV

1. Ø Conductor

35 mm

2. Ø Core insulation

16,08 mm

3. Ø Semi-conductive screen

17,80 mm

4. fixed bonded semiconductive layer

graphitated semiconductive layer

extruded easy strip conductive screen

5. Metal screen

Al

Cu

Wire screen

Tape screen

Cross section

6. Armour type

Yes

No

Armour Max. Current A

7. Outer sheath diameter:

20,10 mm

XLPE

PVC

EPR