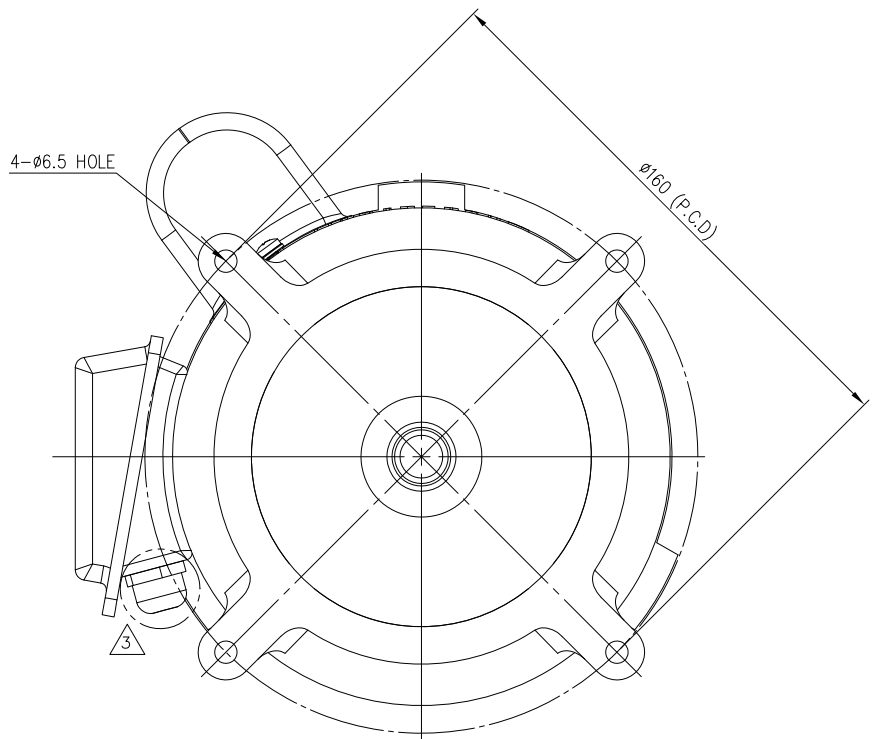
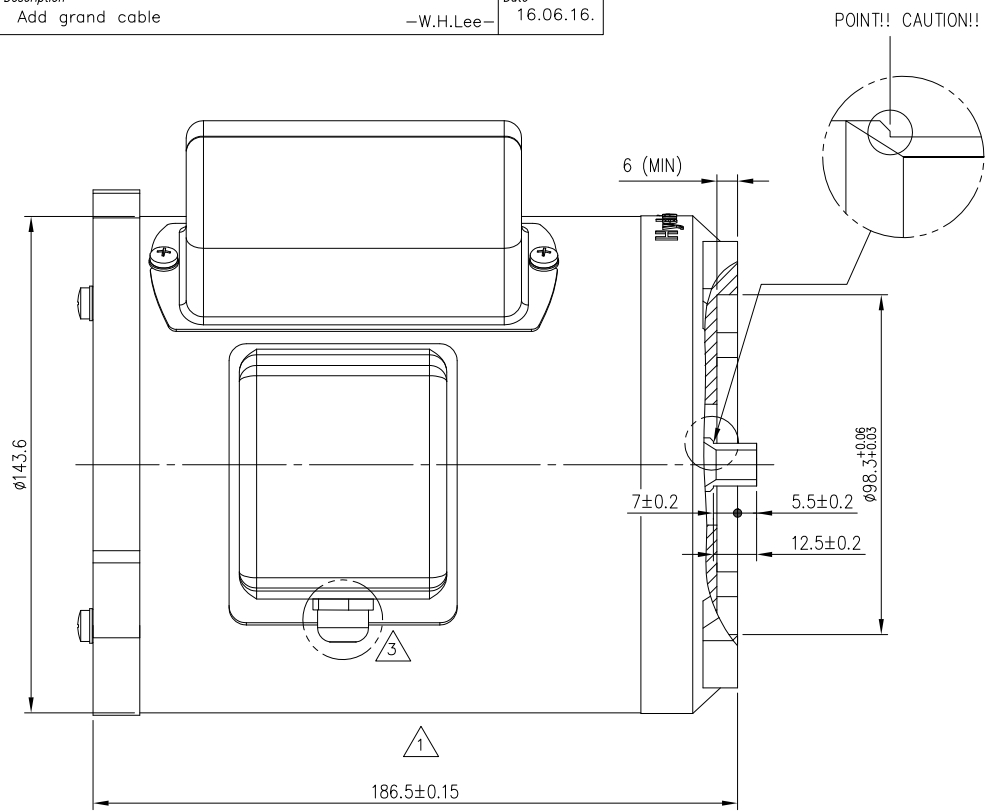
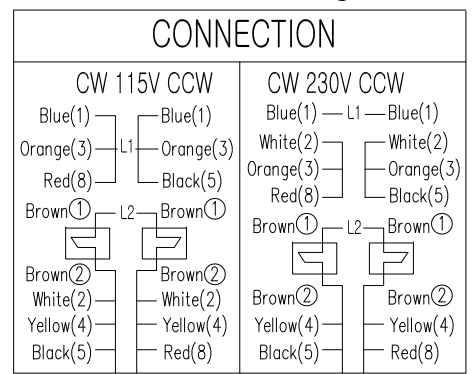


Rev. 001	No. 1	Description Remove mounting bracket	Date 16.01.15.
Rev. 002	No. 2	Description Additional wiring color -W.H.Lee-	Date 16.04.15.
Rev. 003	No. 3	Description Add grand cable -W.H.Lee-	Date 16.06.16.



### Connection diagram

Number of teeth	Z	9
Analog-to-digital	m	1.27
Pressure angle	α D	30°
Large-diameter	Dee	φ12.4 -0.011
Small-diameter	Die	φ9.525 -0.011



Designed by	Checked by	Confirmed by

No.	Description	Q'ty	Remark
 하이드로텍(주)		Client	HUASHENG
 Scale N/S		Weight(kg)	-
Form Information for AutoCAD 2004 A3		Date	15.12.16.
Dwg No.		100-0000004	DS. J. H. Lee
Project		S20760HC22	AP. W. S. Choi
Rev.		003	