

"Mickey mouse" profile with "T"- slots cylinders to ISO 15552 standard

series XT

DESCRIPTION

Compliance with ISO 15552 standard ensures complete interchangeability of these cylinders with the previous ones to ISO 6431 / VDMA 24562 standards, defining the dimensions of both the "nude" cylinder than assembled with fixings. They are available in the bores from Ø 32 to Ø 100 and the barrel, a profile in extruded aluminium alloy style "mickey mouse", has two "T"-slots on one side where it's possible to mount directly the magnetic sensors series FM100. They are even available to ATEX directive, category 2GD.

TECHNICAL DATA

Operating pressure	1÷10 bar
Working temperature	0°C ÷ +80°C (with dry air -35°C) 0°C ÷ +150 °C with Viton® seals (with dry air -10 °C)
Fluid	Filtered, unlubricated or continuous lubricated compressed air
Versions	Double acting; Single acting front spring; Single acting rear spring; Through rod; Double push tandem; Double stroke tandem; Opposed tandem
Bores	Ø 32, 40, 50, 63, 80, 100
Port size	Ø 32 = G 1/8; Ø 40 - 50 = G 1/4; Ø 63 - 80 = G 3/8; Ø 100 = G 1/2
Standard strokes (mm)	25, 50, 75, 80, 100, 125, 150, 160, 200, 250, 300, 320, 350, 400, 500, 550, 600, 650, 700, 800, 900, 1000
Decelerators lenght	Ø 32 40 50 60 80 100 mm 24 29 29 35 35 40
Maximum stroke (mm)	Ø 32 ÷ 100 = 3000
Max stroke single acting (mm)	Ø 32 ÷ 100 = 50



1

MATERIALS

End caps	Painted die-cast aluminium alloy
Cylinder barrel	Extruded profile, 20 µm anodized aluminium alloy
Screws	Steel (self-forming)
Piston rod	C45 chromium-plated steel AISI 303 rolled stainless steel
Rod nut	Steel Stainless steel
Piston rod bearing	Bronze-iron 20%, sintered, self-lubricating
Piston	<i>Techno-polymer</i> (supplied as standard): not suitable for applications without the effective use of the cushioning. <i>Aluminium alloy</i> : for high temperatures; for applications without the effective use of the cushioning; suggested for exacting terms and for strokes over 1000 mm.
Seals	Polyurethane Viton®
Cover strips	Polyvinyl chloride

ORDER KEY



Bore _____
Version _____
Stroke _____
Series _____
Piston type _____
Option 1 _____
Option 2 _____
Option 3 _____
Option 4 _____
Option 5 _____
Special option (supplied upon request) _____

P.S.:Magnetic sensor FM100 (see chapter magnetic sensors from page 1.93 of the CAT.08/EN)

- See technical data on page 0.12 of the CAT.08/EN

ORDER EXAMPLES

Cylinder Ø 50, double acting, 100 mm stroke, non-magnetic piston type, fit for piston rod locking unit: **50/100 XT/NZ**

Cylinder Ø 63, through rod, 150 mm stroke, magnetic piston type, stainless steel piston rod: **63R150 XT/M1**

VERSION

/ Double acting
R Through rod
T Double push tandem
V Opposed tandem
S Single acting front spring
Y Single acting front spring
P Double stroke tandem

PISTONE TYPE

N Non-magnetic
M Magnetic *

OPTION 1

Z Fit for piston rod locking unit

OPTION 2

1 Stainless steel piston rod and rod nut
2 Viton® seals**
3 Stainless steel piston rod and rod nut and Viton® seals**

OPTION 3

4 Cover strips for magnetic sensors slots

OPTION 4

5 Aluminium alloy piston

OPTION 5

/EX To ATEX directive  II 2GDc T6 0°C<Ta<60°C

* Available even with Viton® seals just for applications where is needed a chemical compatibility; not available for high temperature applications.

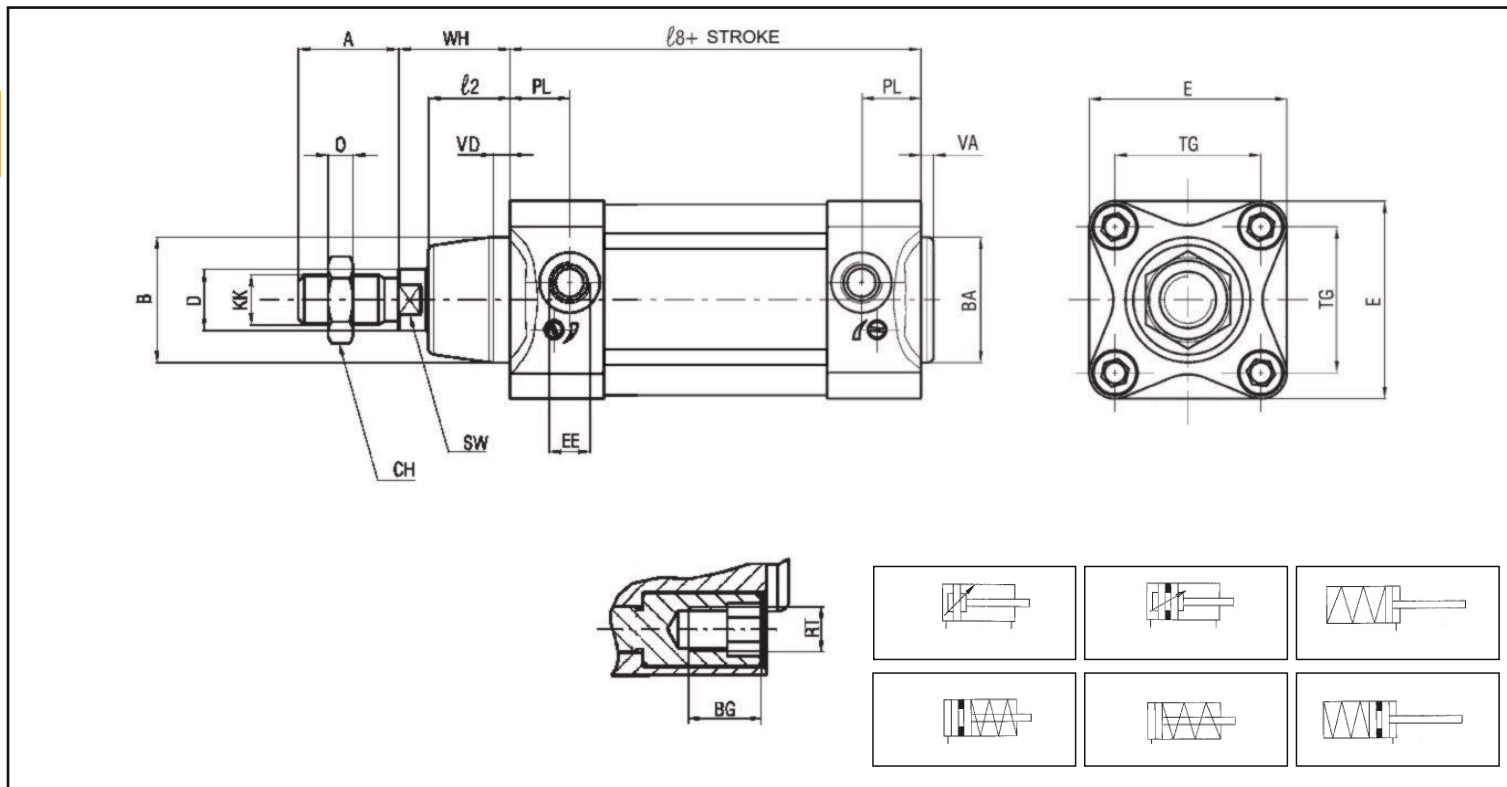
** With piston in aluminium alloy supplied as standard.

SPARE PARTS

SEALS KIT

Polyurethane	Ø/SG/X
Through rod polyurethane	Ø/SG/R/X
Viton®	Ø/SG/X2
Through rod Viton®	Ø/SG/R/X2

XT BASIC CYLINDER



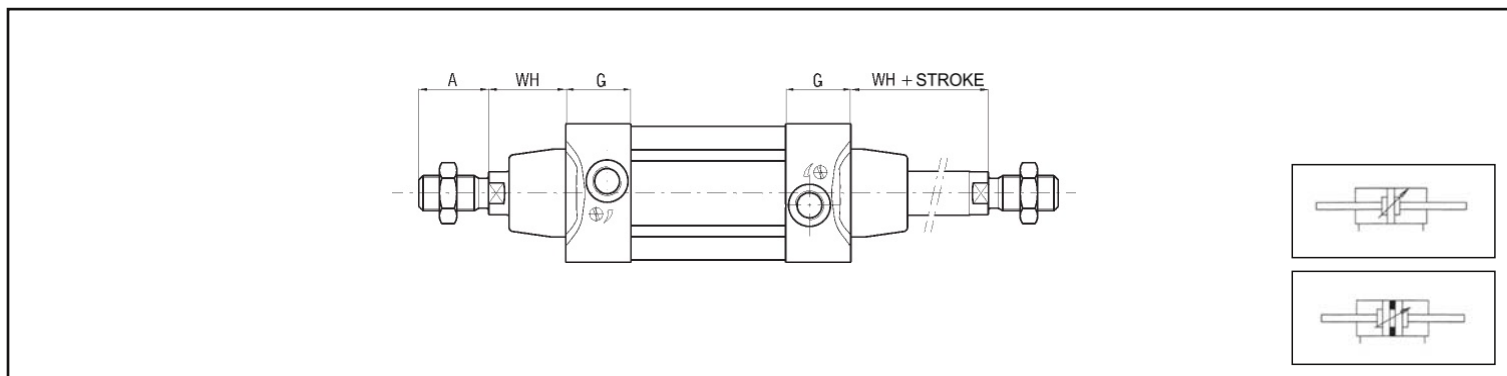
P.S.: Rod nut supplied as standard

DIMENSIONS AND WEIGHTS BASIC CYLINDER

Ø	A*	BA*	BG*	CH	RT	E*	EE	G	D	KK*	l	l2*	l8*	O	PL*	R	SW*	TG*	VA*	WB	WH*	WEIGHT (g)	INCREMENT (g) every 10 mm
32	22	30	16	17	M6	47	G1/8	27	12	M10x1,25	160	20	94	6	18	9	10	32,5	3	86	26	657	23
40	24	35	16	19	M6	52	G1/4	31	16	M12x1,25	185	22	105	7	20,5	9	13	38	3	100	30	862	32
50	32	40	16	24	M8	63	G1/4	30	20	M16x1,5	172	26	106	8	19	9	17	46,5	3	127	37	1176	45
63	32	45	16	24	M8	75	G3/8	35,5	20	M16x1,5	197	27	121	8	22	9	17	56,5	4	127	37	1691	48
80	40	45	16	30	M10	93	G3/8	36	25	M20x1,5	216	29	128	9	23	9	22	72	4	156	46	3447	66
100	40	55	16	30	M10	113	G1/2	39	25	M20x1,5	234	35	138	9	24	9	22	89	4	161	51	5161	77

* STANDARDIZED DIMENSIONS

THROUGH ROD

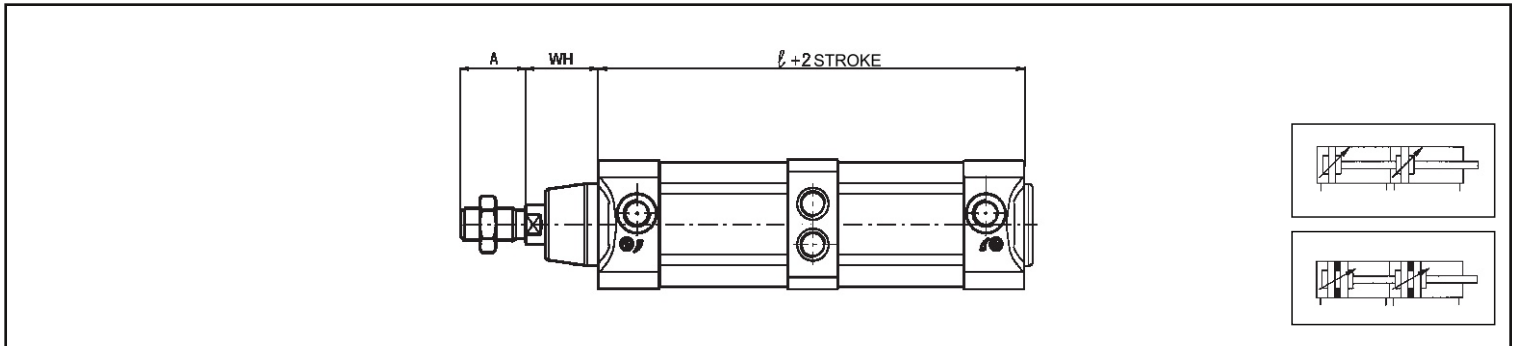


P.S.: Rod nuts supplied as standard

"Mickey mouse" profile with "T"- slots cylinders to ISO 15552 standard

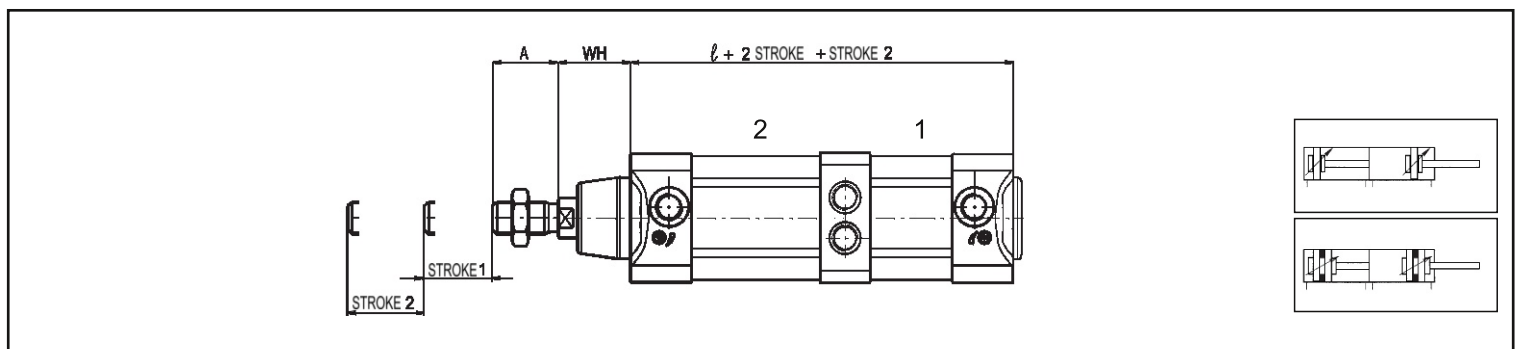
series **XT**

DOUBLE PUSH TANDEM



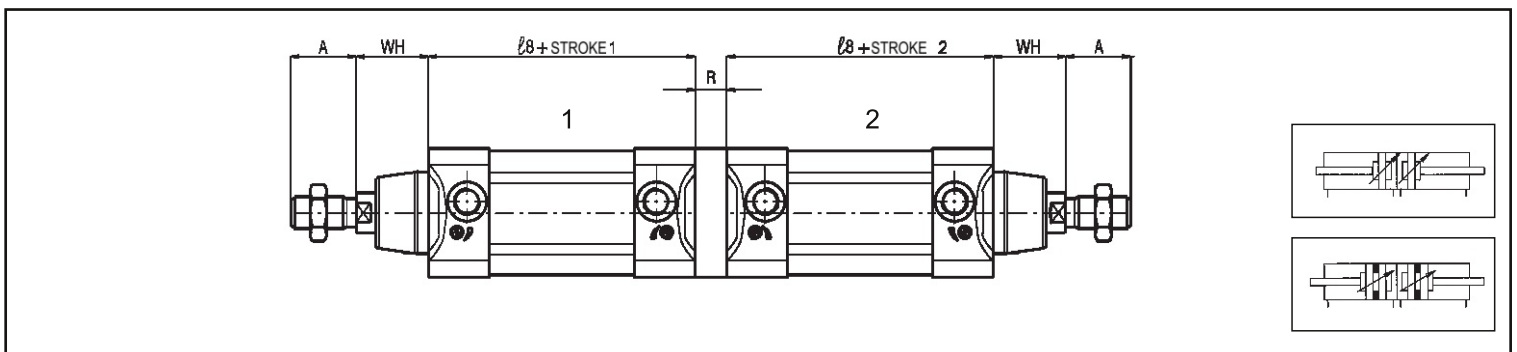
P.S.: Rod nut supplied as standard

DOUBLE STROKE TANDEM



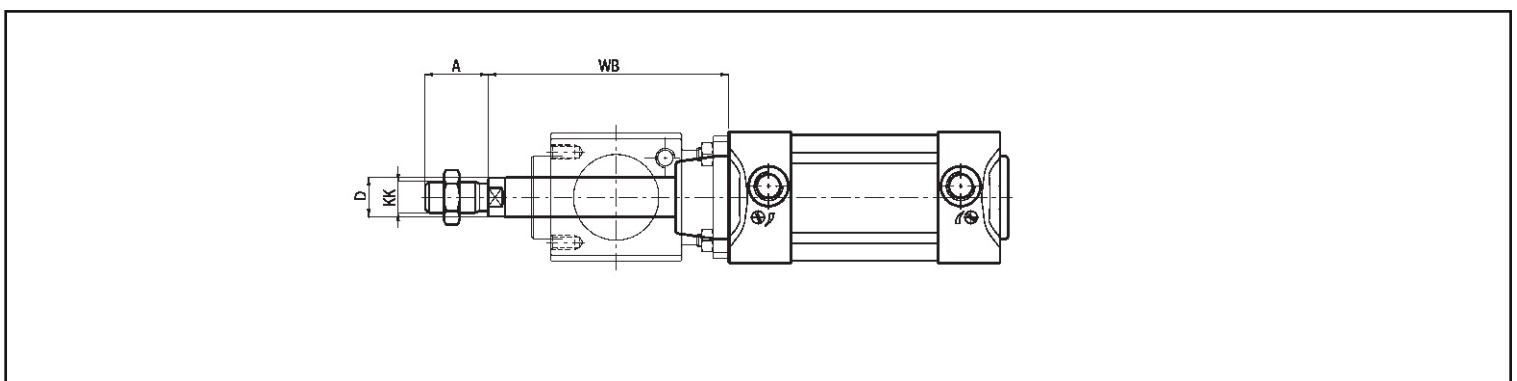
P.S.: Rod nut supplied as standard

OPPOSED TANDEM



P.S.: Rod nuts supplied as standard

FIT FOR PISTON ROD LOCKING UNIT



P.S.: Rod nut supplied as standard

FIXING ACCESSORIES FOR CYLINDERS SERIES XT

See accessories from page 1.32 of the CAT.08/EN.

INTERMEDIATE HINGE - STEEL - "CLEAN PROFILE" - X/CT Ø (Supplied with dowels)

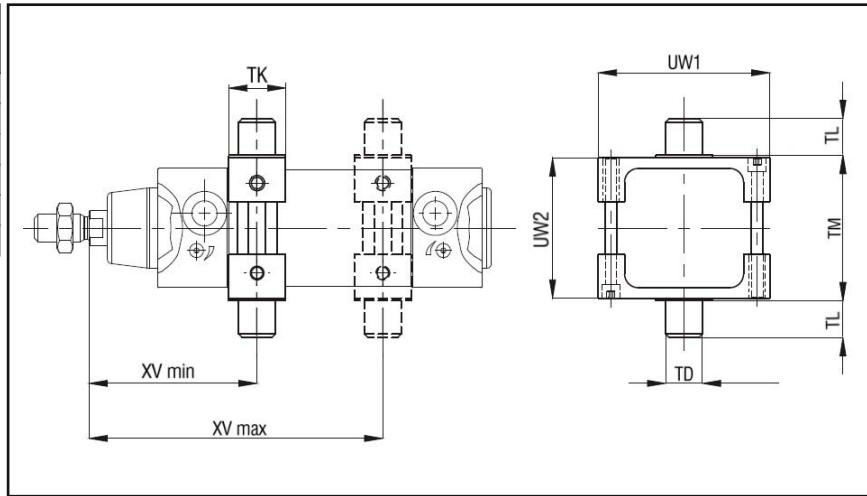
Ø	T	TD	TL	TM	UW	UW	XV	XV	WEIGHT
K	e9	h14	0/-0.3	1	2	min	max	(g)	
32	25	12	12	50	65	49	65.5	80.5	177
40	25	16	16	63	75	62	73.5	91.5	325
50	30	16	16	75	95	74	82	98	433
63	30	20	20	90	105	88	87.5	107.5	668
80	30	20	20	110	130	109	97	123	1309
100	40	25	25	132	145	130	110	130	1817

This hinge can be used for both cylinders series "X" and series "XT"

P.S.: ADJUSTABLE POSITION (fixing through dowels)

ASSEMBLY: X/CT Ø + cylinder series "XT"

type M/X/CT Ø



PISTON ROD ATTACHMENTS FOR CYLINDERS SERIES XT

See chapter accessories series "F" from page 1.90 of the CAT.08/EN.

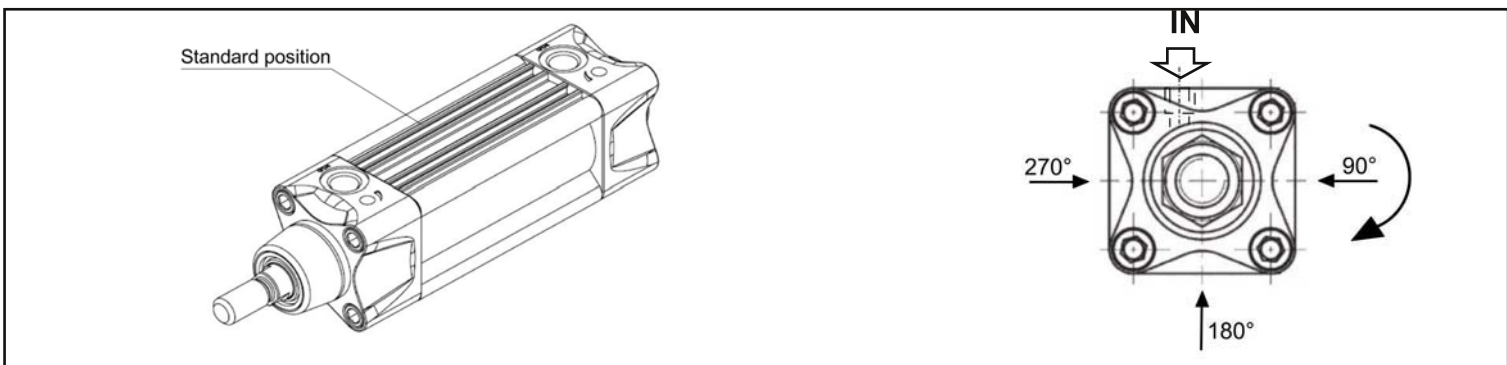
MAGNETIC SENSORS SERIES FM100

See chapter magnetic sensors series "FM" on page 1.93 of the CAT.08/EN.

ACCESSORIES: COVER STRIPS AND FIXING BRACKETS FOR CYLINDERS SERIES XT

See accessories on page 1.24 of the CAT.08/EN.

POSITION OF THE SLOTS FOR MAGNETIC SENSORS



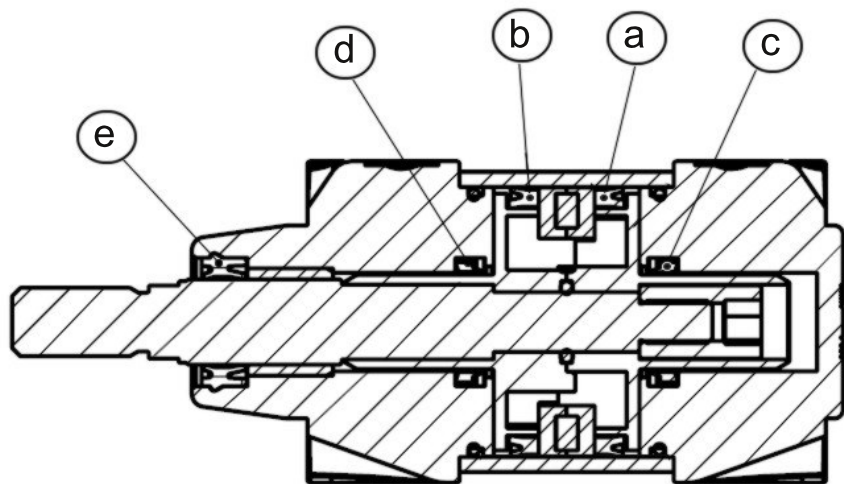
P.S.: The slots for the magnetic sensors assembly can be requested on each side of the barrel. The cylinders are supplied as standard with the slots on the same side of the air ports. To choose a different side it's necessary to indicate the angle at the end of the order key, with reference to the air ports, as shown here above.

ORDER EXAMPLE

Cylinder Ø50, double acting, 100 mm stroke, non-magnetic piston type, with sensor slots on the right of the air ports, watching the cylinder front wise: **50/100 XT/N 90°**

Low friction cylinders

SEALS FOR LOW FRICTION CYLINDERS



- a) Piston seal for rear chamber;
- b) Piston seal for front chamber;
- c) Cushioning seal for rear chamber;
- d) Cushioning seal for front chamber;
- e) Rod seal.

APPLICATIONS

DESCRIPTION	OPTION	SEALS
Rear chamber	SA	a
Rear chamber + cushioning	SB	a + c
Rear chamber + rod seal	SC	a + e
Rear chamber + cushioning + rod seal	SD	a + c + e
Front chamber	SE	b + e
Front chamber + cushioning	SF	b + e + d

DESCRIPTION

The low friction cylinders of the series "XT", "X" and "XL" (available from Ø 125 to Ø 200), are used as "dancers" or "enlarger stretchers" cylinders, but they are just single acting cylinders without the return spring.

As indicated in the previous table, we can have different applications, combining properly the various seals inserted in the cylinder.

The application called as option "SA" is the main one, because, using just the seal "a", it's the one that offers the lowest internal friction.

The "SB" option uses the pneumatic cushioning for an emergency situation, to avoid crushes in the case of the breakdown of the plant.

In the options "SC" and "SD", the rod seal avoids to the impurities to go into the cylinder.

In the option "SE" the pressurized chamber is the front one and in the option "SF" the pressurized chamber is still the front one but with the pneumatic cushioning for an emergency situation.

ATTENTION: For the applications please consider the cylinder as single acting without spring.

ORDER EXAMPLE

Cylinder Ø50, double acting, 100 mm stroke, magnetic piston type, rear chamber and cushioning seals:
50/100 XT/M SB

Cylinder Ø50, double acting, 100 mm stroke, magnetic piston type, front chamber and cushioning seals:
50/100 XT/M SF

The company reserves the right to amend without notice the specifications given in this document