

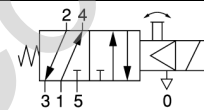
4-way pneumatic valves for pipe connection/sub-base mounting

5/2



Port size	Orifice (mm)	Flow factors (L/min) Qn	Admissible differential pressure bar			Fluid temp. °C Gas	Seat disc	Reference numbers				Power consumption (W)		Wt. (g)	El. Part Group *	Dim ref.	
			Min	Max				Global valve reference	Valve reference no.	Housing	Coil	DC	AC				
G				DC	AC												

5/2 - Pilot operated -



Aluminium alloy and brass body/Pipe mounting

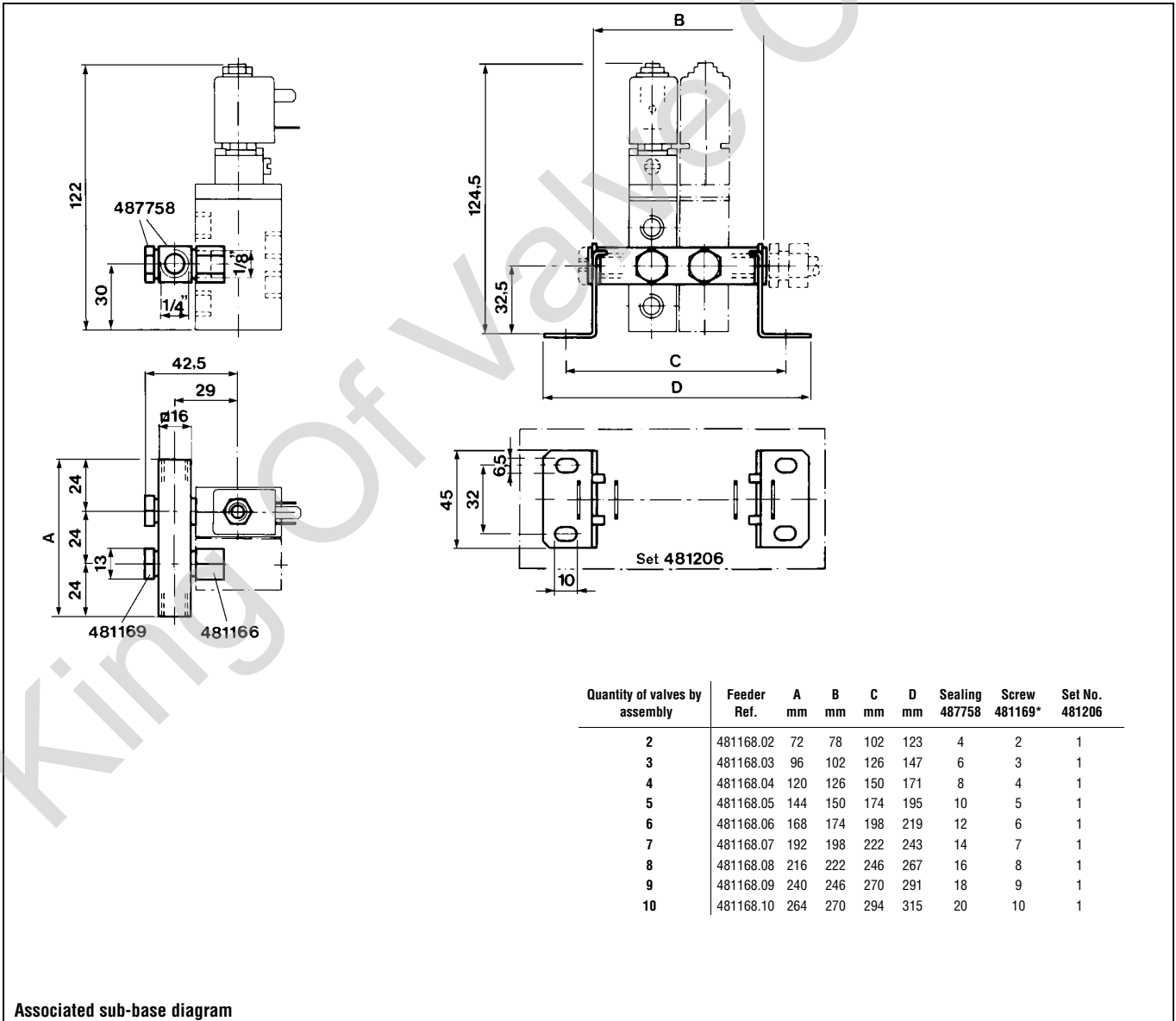
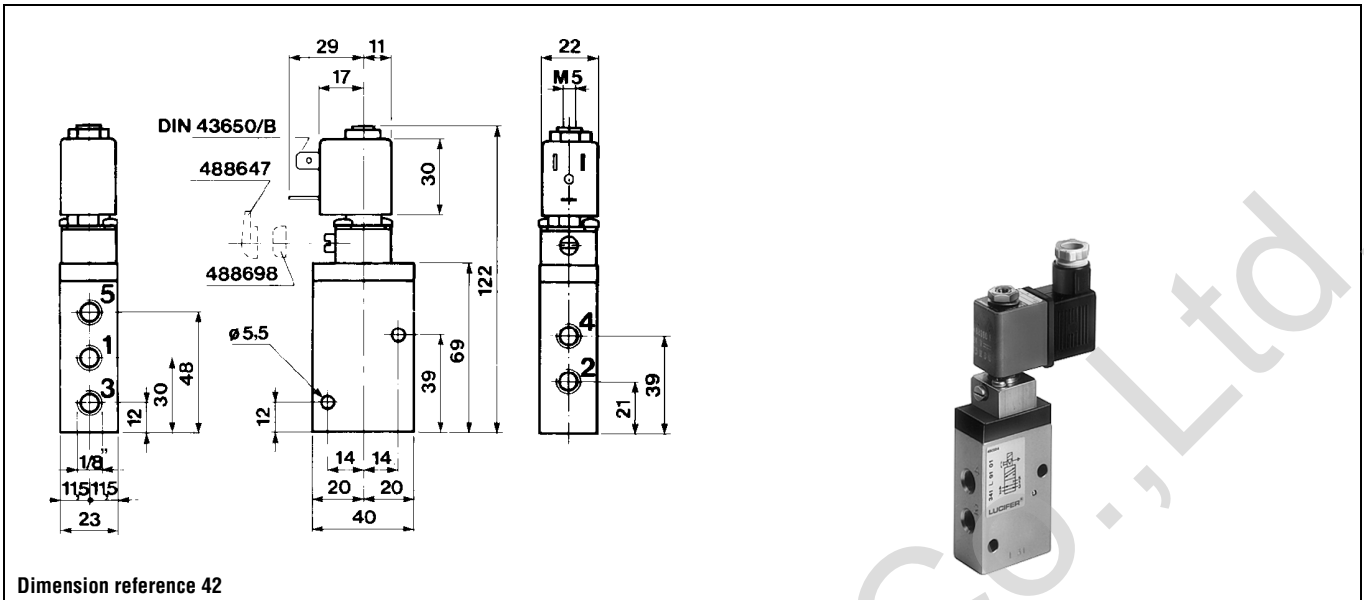
1/8	4	400	1	10	10	75	NBR	-	341L9101	8993	488980	2.5	2	270	1	42
-----	---	-----	---	----	----	----	-----	---	----------	------	--------	-----	---	-----	---	----

Table continued on page 198

Notes:

* See Electrical Parts Group table at end of section

4-way pneumatic valves for pipe connection/sub-base mounting

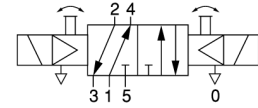


4-way pneumatic valves for pipe connection/sub-base mounting

Port size	Orifice (mm)	Flow factors (L/min) Qn	Admissible differential pressure bar			Fluid temp. °C Gas	Seat disc	Reference numbers				Power consumption (W)		Wt. (g)	El. Part Group *	Dim ref.
			Min	Max				Global valve reference	Valve reference no.	Housing	Coil	DC	AC			
G				DC	AC											

Aluminium alloy and brass body/Pipe mounting

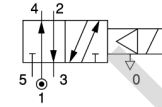
5/2 - Two solenoids and main pressure supply -



1/8	4	315	2	10	10	75	NBR	-	347L9101	8993	488980	1	2.5	2	430	1	117
-----	---	-----	---	----	----	----	-----	---	-----------------	-------------	---------------	---	-----	---	-----	---	-----

Anod. aluminium body/Pipe mounting

5/2 - Pilot operated -



1/4	8	640	1	40	40	75	NBR	7341BAG2KN00	341B02	² 2995	481865	9	8	1700	2	39
	8	640	1	40	40	75	NBR			4270	481000	8	8	1800	2	
	8	1000	1	15	15	75	NBR	7341BAG2PN00	E341B01	2995	481865	9	8	1700	2	38
	8	1000	1	15	15	75	NBR			4270	481000	8	8	1800	2	

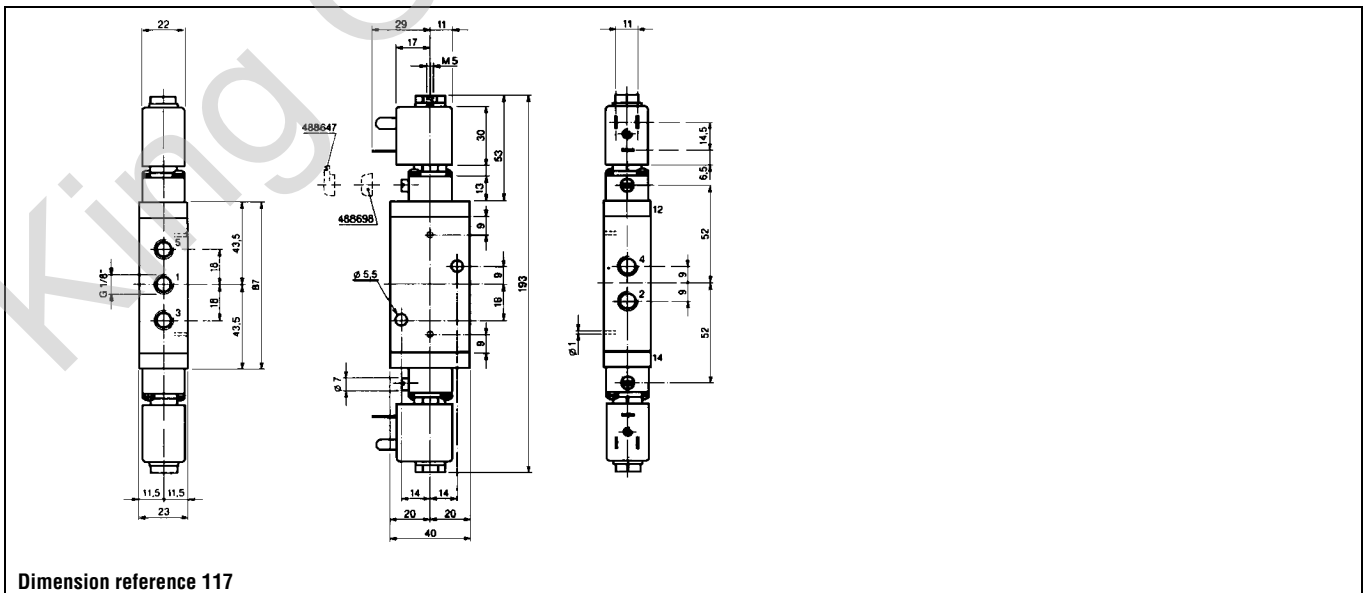
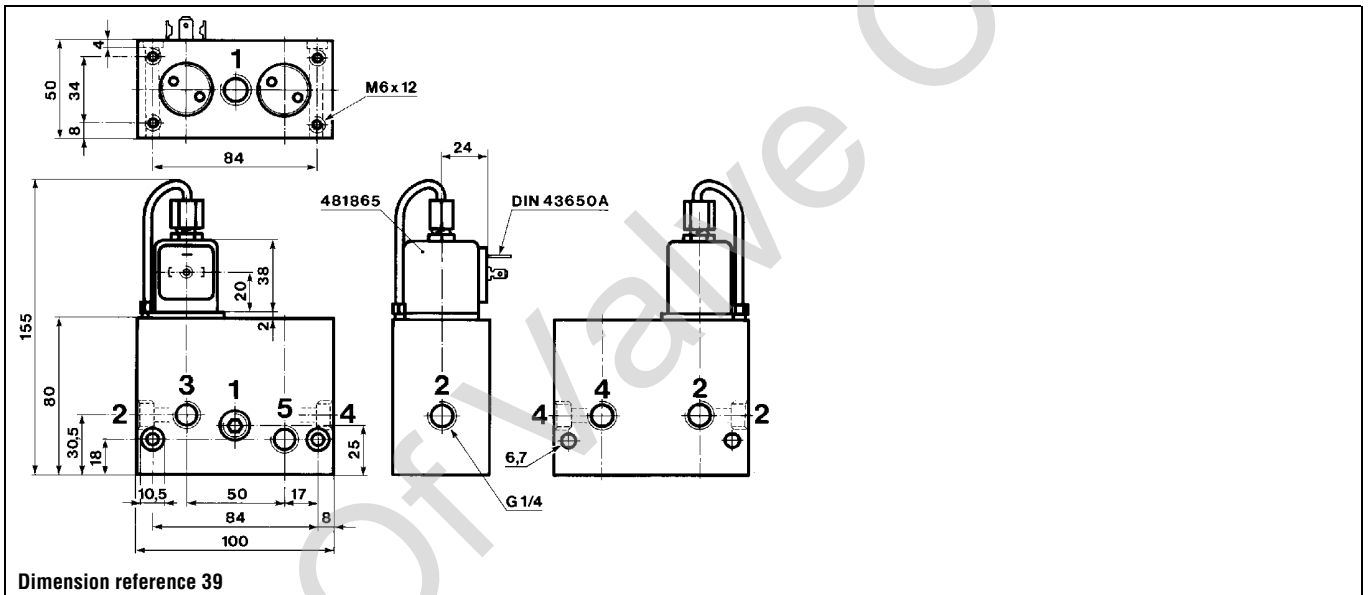
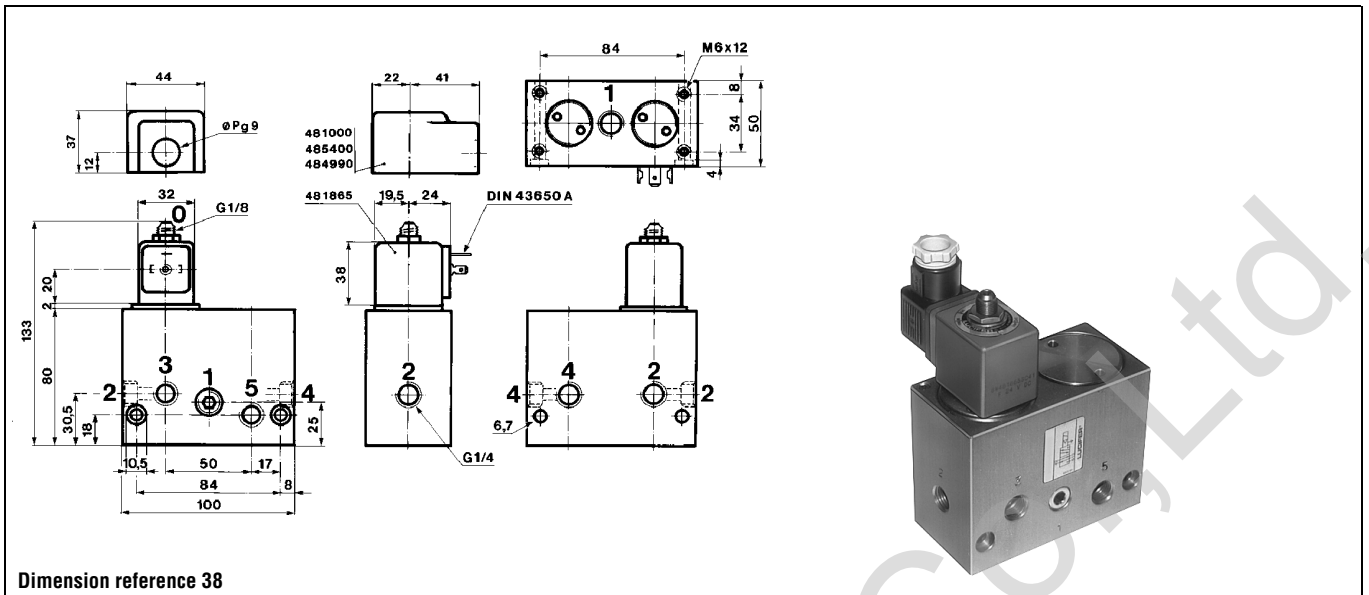
Table continued on page 200

Notes:

* See Electrical Parts Group table at end of section

1. Please order two of these items per valve
2. Valve with pilot return pipe on exhaust port

4-way pneumatic valves for pipe connection/sub-base mounting

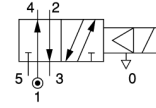


4-way pneumatic valves for pipe connection/sub-base mounting

Port size	Orifice (mm)	Flow factors (L/min) Qn	Admissible differential pressure bar			Fluid temp. °C Gas	Seat disc	Reference numbers				Power consumption (W)		Wt. (g)	El. Part Group *	Dim ref.
			Min	Max				Global valve reference	Valve reference no.	Housing	Coil	DC	AC			

Anod. aluminium body/Pipe mounting

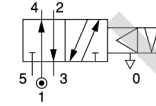
5/2 - Pilot operated -



3/8	8	1000	1	15	15	75	NBR	7341BAG3PN00	E341B11	2995	481865	9	8	1700	2	40
	8	1000	1	15	15	75	NBR			4270	481000	8	8	1800	2	

Anod. aluminium body/Pipe mounting

5/2 - Impulse coil -



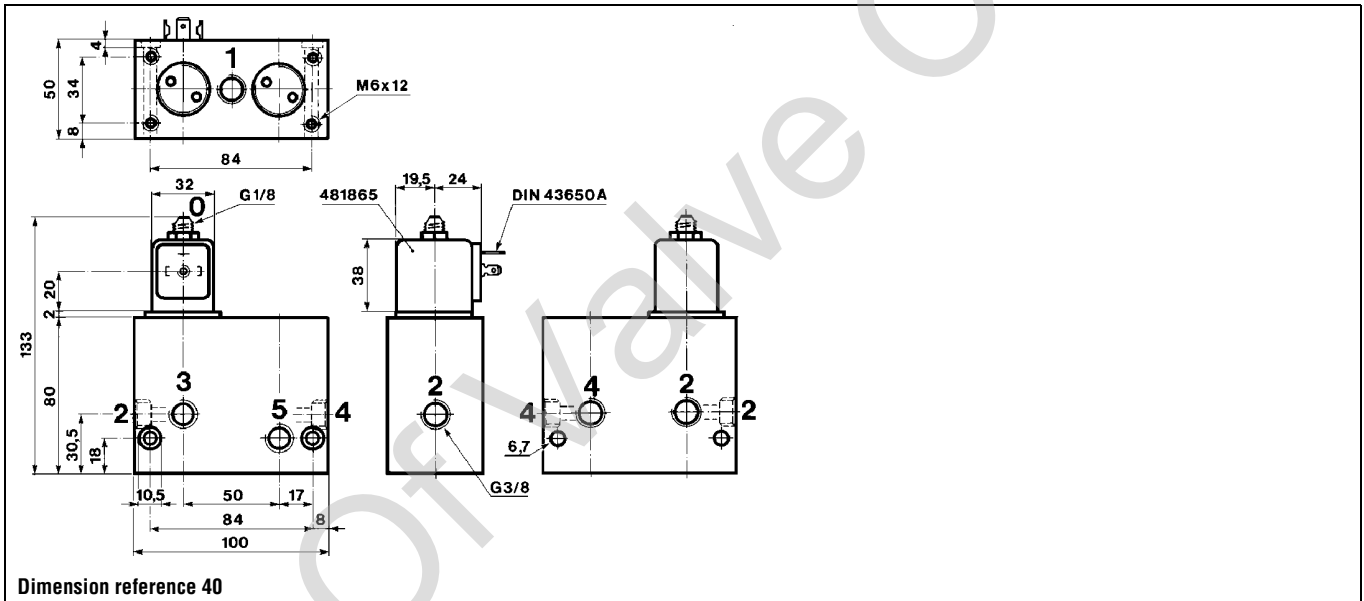
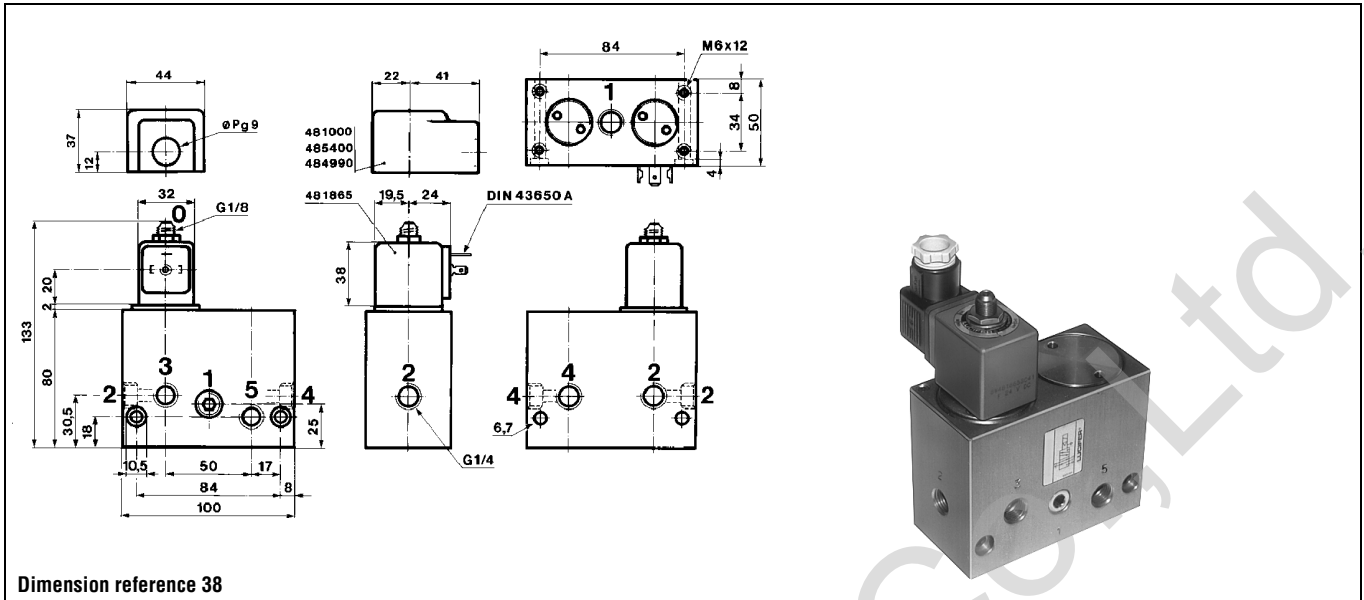
1/4	8	1000	1	-	15	75	NBR	7345BAG2PN00	345B04	4269	484990	-	11	1800	4	38
	8	1000	1	15	-	75	NBR			4269	485400	13	-	1800	4	

Table continued on page 202

Notes:

* See Electrical Parts Group table at end of section

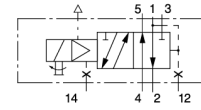
4-way pneumatic valves for pipe connection/sub-base mounting



4-way pneumatic valves for pipe connection/sub-base mounting

Port size	Orifice (mm)	Flow factors (L/min) Qn	Admissible differential pressure bar			Fluid temp. °C Gas	Seat disc	Reference numbers				Power consumption (W)		Wt. (g)	El. Part Group *	Dim ref.
			Min	Max				Global valve reference	Valve reference no.	Housing	Coil	DC	AC			
G				DC	AC											

5/2 - Pilot operated -



Die-cast zinc body/Pipe mounting

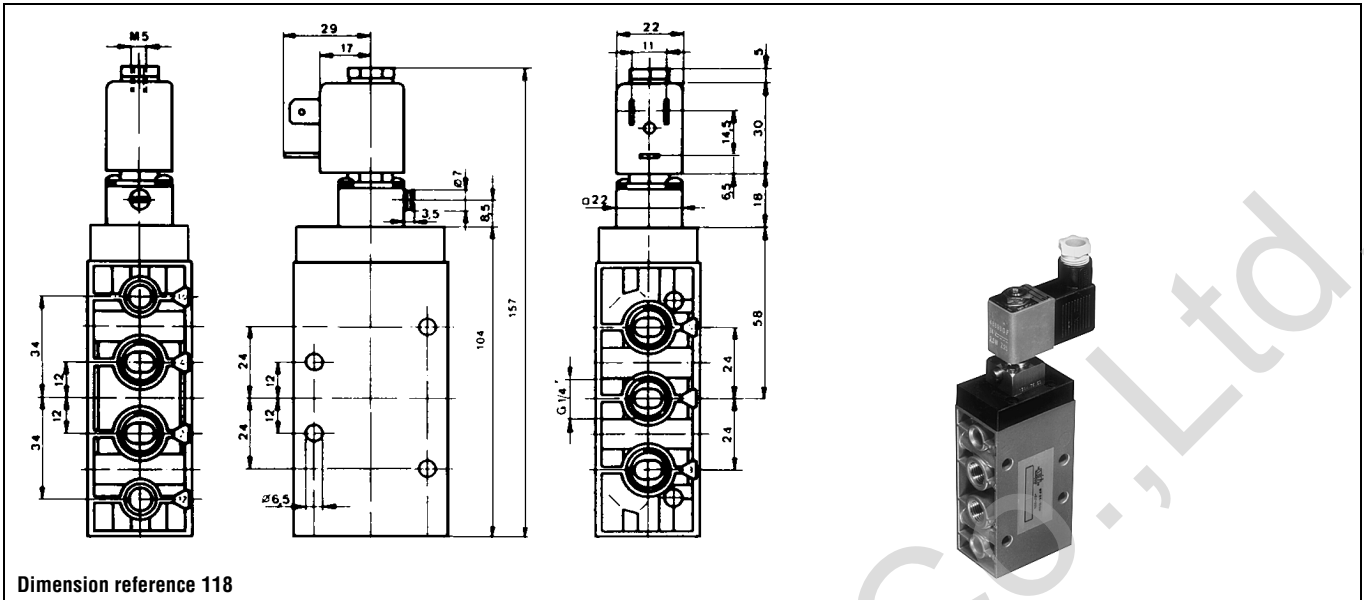
1/4	8	1400	1	10	10	75	NBR	-	341L11	8993	488980	2.5	2	690	1	118
-----	---	------	---	----	----	----	-----	---	--------	------	--------	-----	---	-----	---	-----

Table continued on page 204

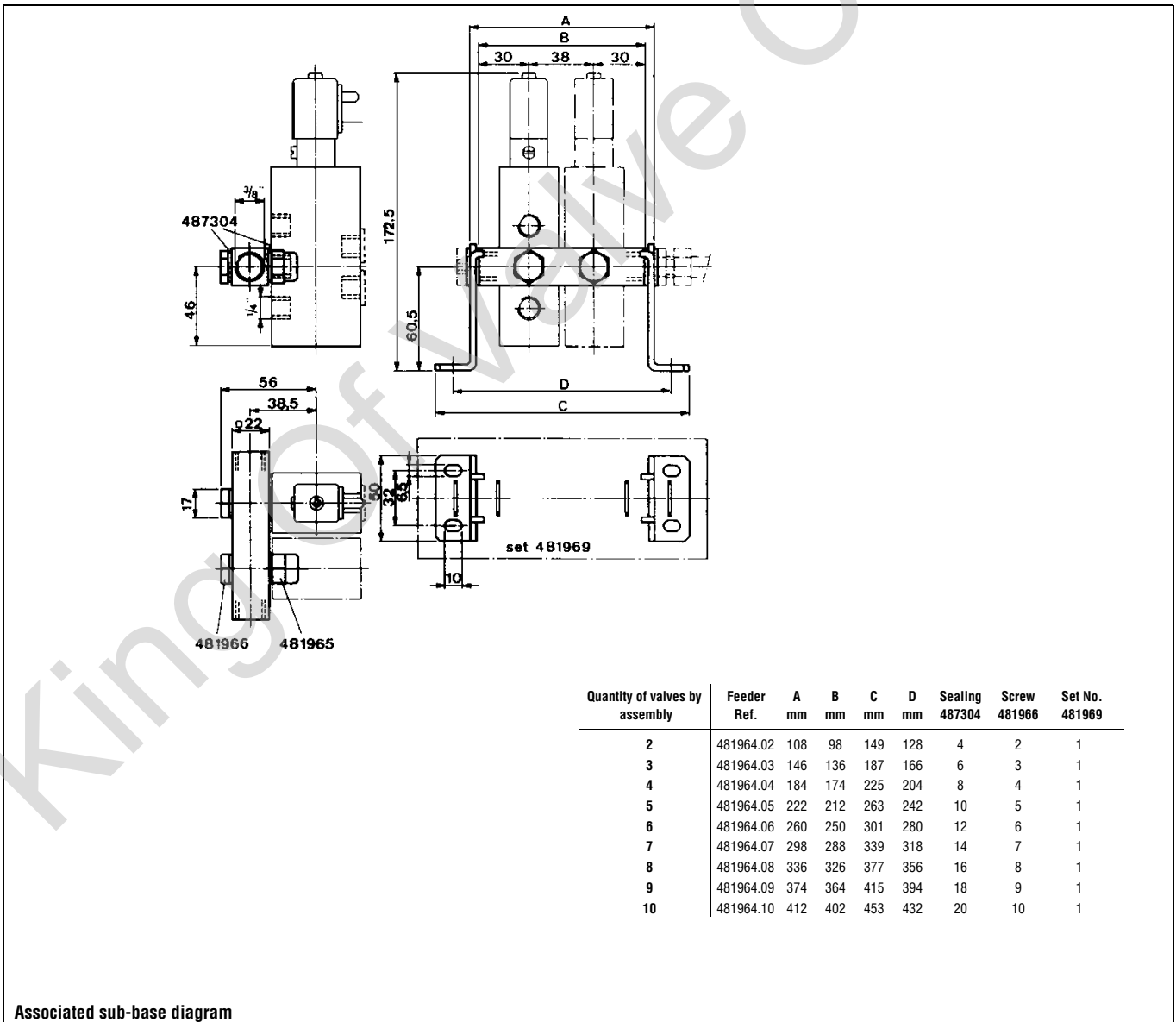
Notes:

* See Electrical Parts Group table at end of section

4-way pneumatic valves for pipe connection/sub-base mounting



Dimension reference 118

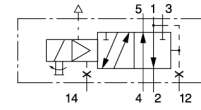


Associated sub-base diagram

4-way pneumatic valves for pipe connection/sub-base mounting

Port size	Orifice (mm)	Flow factors (L/min)	Admissible differential pressure bar			Fluid temp. °C Gas	Seat disc	Reference numbers				Power consumption (W)		Wt. (g)	El. Part Group *	Dim ref.
			Min	Max				Global valve reference	Valve reference no.	Housing	Coil	DC	AC			
G		Qn		DC	AC											

5/2 - Pilot operated -



Die-cast zinc body/Pipe mounting

1/4	8	1400	1	10	10	75	NBR	-	341L1190	-	483580.01 1	0.4	-	690	7	7478
	8	1400	1	10	10	75	NBR	7341LMG2NNM0	E341L1130	2995	481865	9	8	-	2	3539
	8	1400	1	10	10	75	NBR			4270	481000	8	8	-	2	

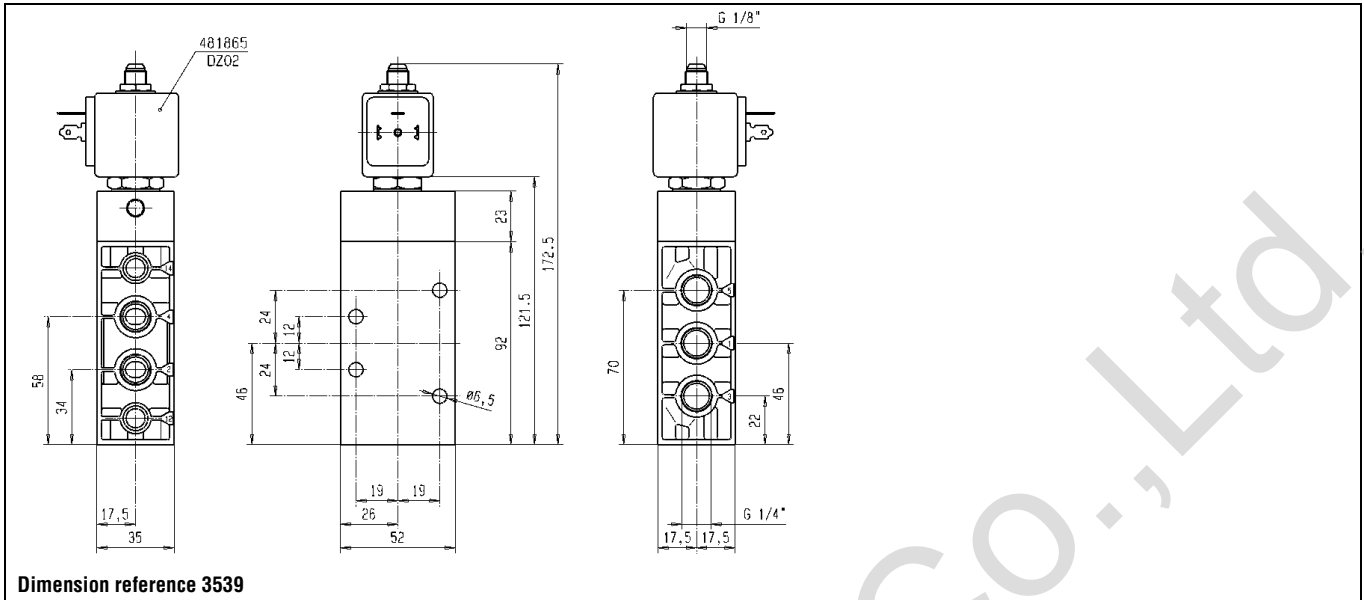
Table continued on page 206

Notes:

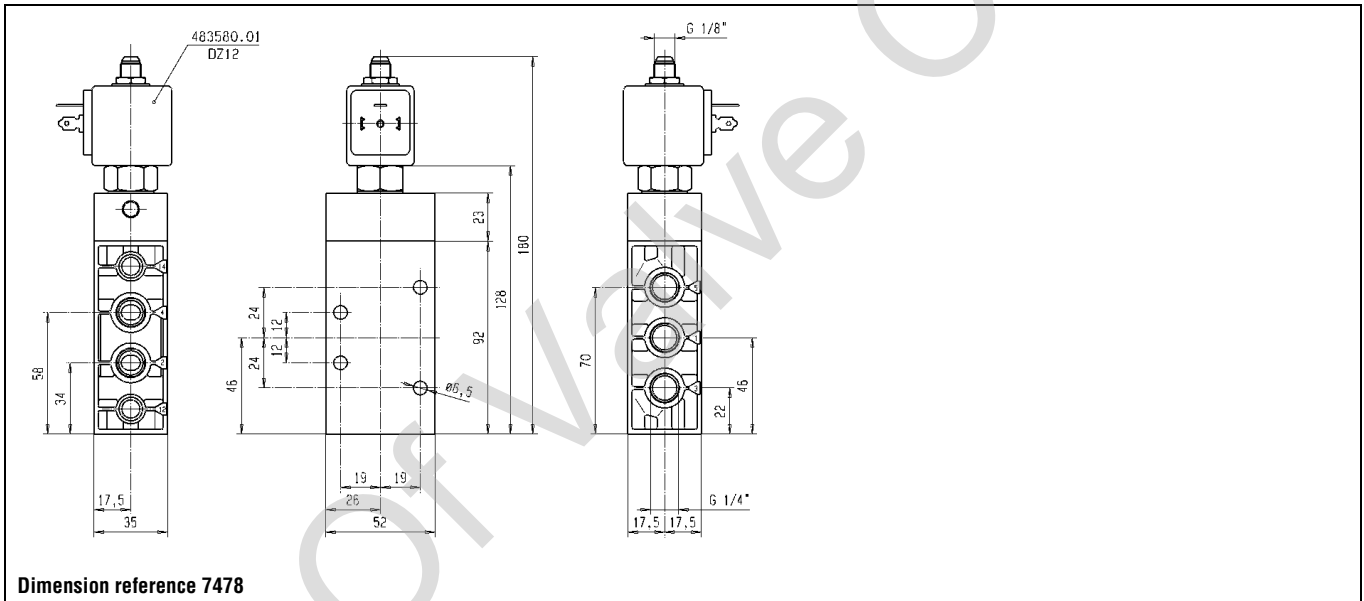
* See Electrical Parts Group table at end of section

1. Other coil-housing available: 488650.01, 488660.01, 4888670.01 (refer to electrical parts at end of this section)

4-way pneumatic valves for pipe connection/sub-base mounting



Dimension reference 3539



Dimension reference 7478

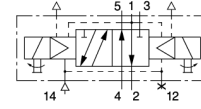
King Of Valves

4-way pneumatic valves for pipe connection/sub-base mounting

Port size	Orifice (mm)	Flow factors (L/min) Qn	Admissible differential pressure bar			Fluid temp. °C Gas	Seat disc	Reference numbers				Power consumption (W)		Wt. (g)	El. Part Group *	Dim ref.
			Min	Max				Global valve reference	Valve reference no.	Housing	Coil	DC	AC			

Die-cast zinc body/Pipe mounting

5/2 - Two solenoids and main pressure supply -



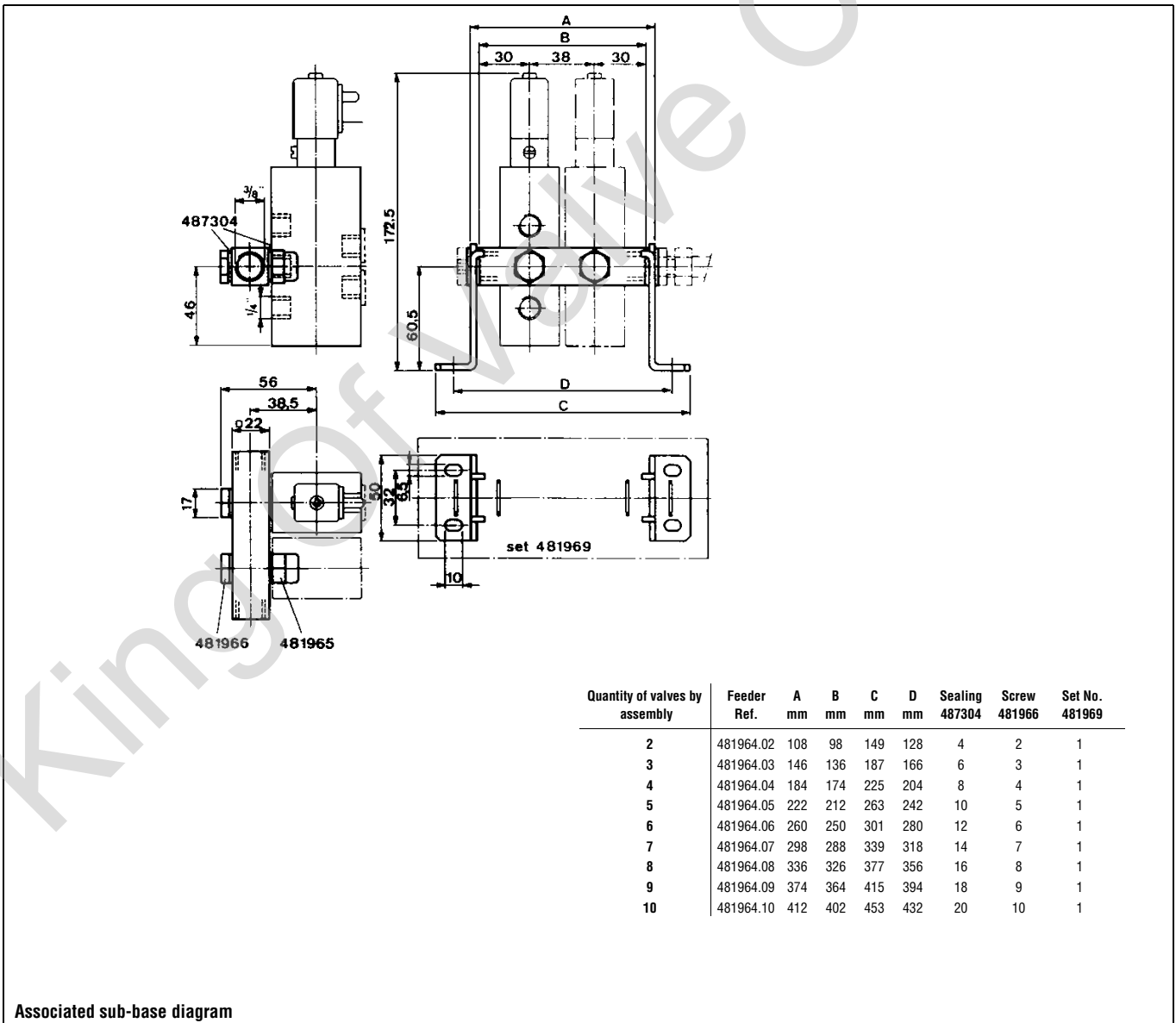
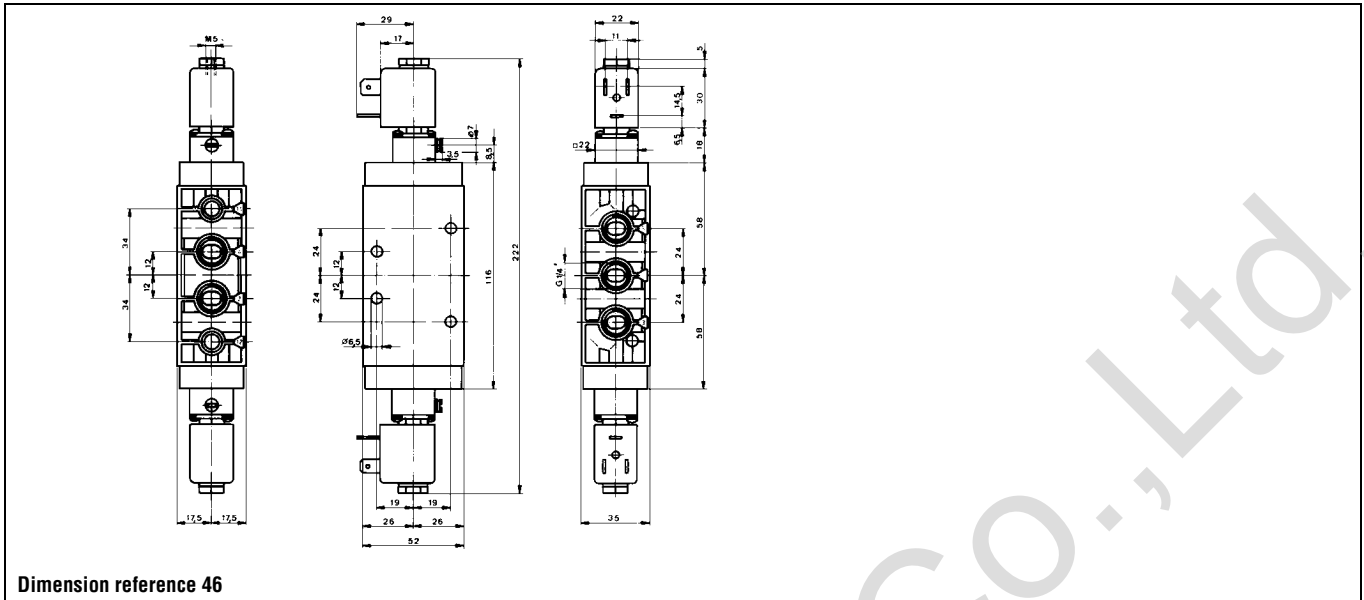
1/4	8	1400	1	10	10	75	NBR	-	347L11	8993	488980	1	2.5	2	750	1	46
-----	---	------	---	----	----	----	-----	---	--------	------	--------	---	-----	---	-----	---	----

Table continued on page 208

Notes:

- * See Electrical Parts Group table at end of section
- 1. Please order two housings and coils for each valve

4-way pneumatic valves for pipe connection/sub-base mounting

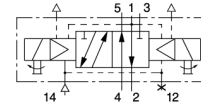


4-way pneumatic valves for pipe connection/sub-base mounting

Port size	Orifice (mm)	Flow factors (L/min) Qn	Admissible differential pressure bar			Fluid temp. °C Gas	Seat disc	Reference numbers				Power consumption (W)		Wt. (g)	El. Part Group *	Dim ref.
			Min	Max				Global valve reference	Valve reference no.	Housing	Coil	DC	AC			

Die-cast zinc body/Pipe mounting

5/2 - Two solenoids and main pressure supply -



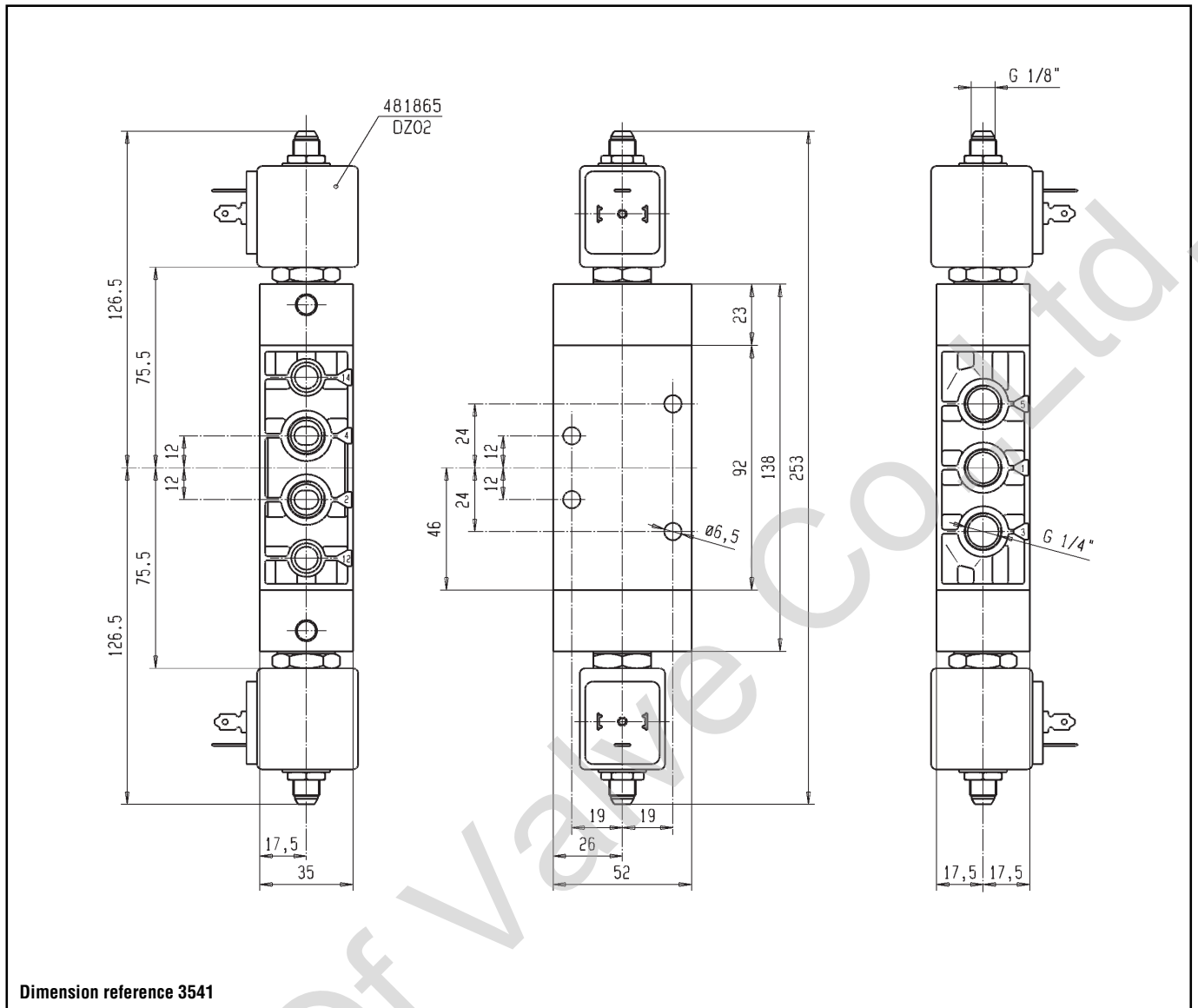
1/4	8	1400	1	10	10	75	NBR	7347LMG2NNM0	E347L1130	2995	1	481865	1	9	8	-	2	3541
	8	1400	1	10	10	75	NBR			4270	1	481000	1	8	8	-	2	

Table continued on page 210

Notes:

- * See Electrical Parts Group table at end of section
- 1. Please order two of these items per valve

4-way pneumatic valves for pipe connection/sub-base mounting

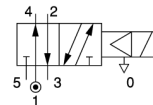


4-way pneumatic valves for pipe connection/sub-base mounting

Port size	Orifice (mm)	Flow factors (L/min) Qn	Admissible differential pressure bar			Fluid temp. °C Gas	Seat disc	Reference numbers				Power consumption (W)		Wt. (g)	El. Part Group *	Dim ref.
			Min	Max				Global valve reference	Valve reference no.	Housing	Coil	DC	AC			

Anod. aluminium body/Pipe mounting

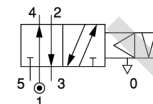
5/2 - Pilot operated -



1/2	14	2500	1	15	15	75	NBR	7341BAG4TN00	E341B21	2995	481865	9	8	1900	2	41
	14	2500	1	15	15	75	NBR			4270	481000	8	8	2000	2	

Anod. aluminium body/Pipe mounting

5/2 - Impulse coil -



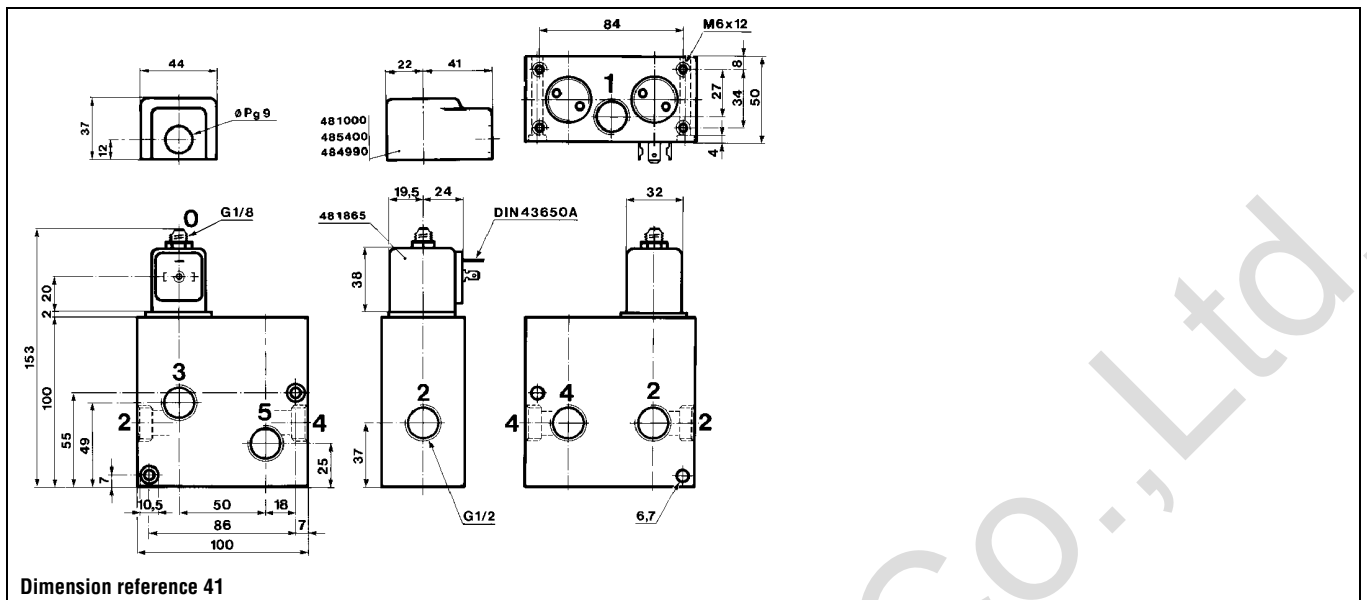
1/2	14	2500	1	-	15	75	NBR	7345BAG4TN00	345B24	4269	484990	-	11	2000	4	41
	14	2500	1	15	-	75	NBR			4269	485400	13	-	2000	4	

Table continued on page 214

Notes:

* See Electrical Parts Group table at end of section

4-way pneumatic valves for pipe connection/sub-base mounting

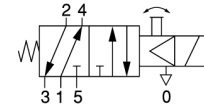


4-way pneumatic valves for pipe connection/sub-base mounting

Port size	Orifice (mm)	Flow factors (L/min) Qn	Admissible differential pressure bar			Fluid temp. °C Gas	Seat disc	Reference numbers				Power consumption (W)		Wt. (g)	El. Part Group *	Dim ref.
			Min	Max				Global valve reference	Valve reference no.	Housing	Coil	DC	AC			

Aluminium alloy and brass body/Sub-base mounting

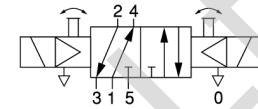
5/2 - Pilot operated -



SB	4	400	1	10	10	75	NBR	-	341L9201	8993	488980	2.5	2	230	1	119
----	---	-----	---	----	----	----	-----	---	----------	------	--------	-----	---	-----	---	-----

Aluminium alloy and brass body/Sub-base mounting

5/2 - Two solenoids and main pressure supply -



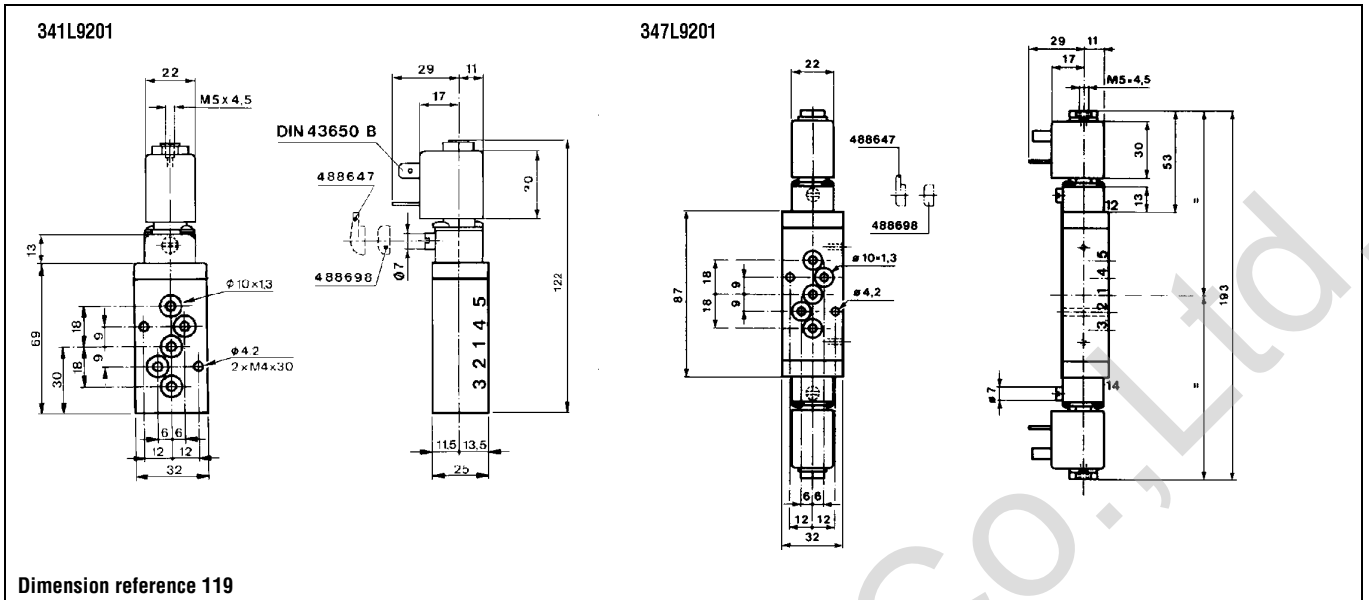
SB	4	400	1	10	10	75	NBR	-	347L9201	8993	488980	1	2.5	2	350	1	119
----	---	-----	---	----	----	----	-----	---	----------	------	--------	---	-----	---	-----	---	-----

Table continued on page 216

Notes:

- * See Electrical Parts Group table at end of section
- 1. Please order two of these items per valve

4-way pneumatic valves for pipe connection/sub-base mounting



King Of Valve Co., Ltd.

4-way pneumatic valves for pipe connection/sub-base mounting

Port size	Orifice (mm)	Flow factors (L/min) Qn	Admissible differential pressure bar			Fluid temp. °C Gas	Seat disc	Reference numbers				Power consumption (W)		Wt. (g)	El. Part Group *	Dim ref.	
			Min	Max				Global valve reference	Valve reference no.	Housing	Coil	OR	DC				AC
G				DC	AC												

5/2 - Pilot operated -

Anod. aluminium body/Sub-base mounting

SB	15	3550	0.5	10	-	75	NBR	7341LAV4TN90	341L2190	¹	-	483580.01	²	0.4	-	1205	7	82
----	----	------	-----	----	---	----	-----	--------------	-----------------	--------------	---	------------------	--------------	-----	---	------	---	----

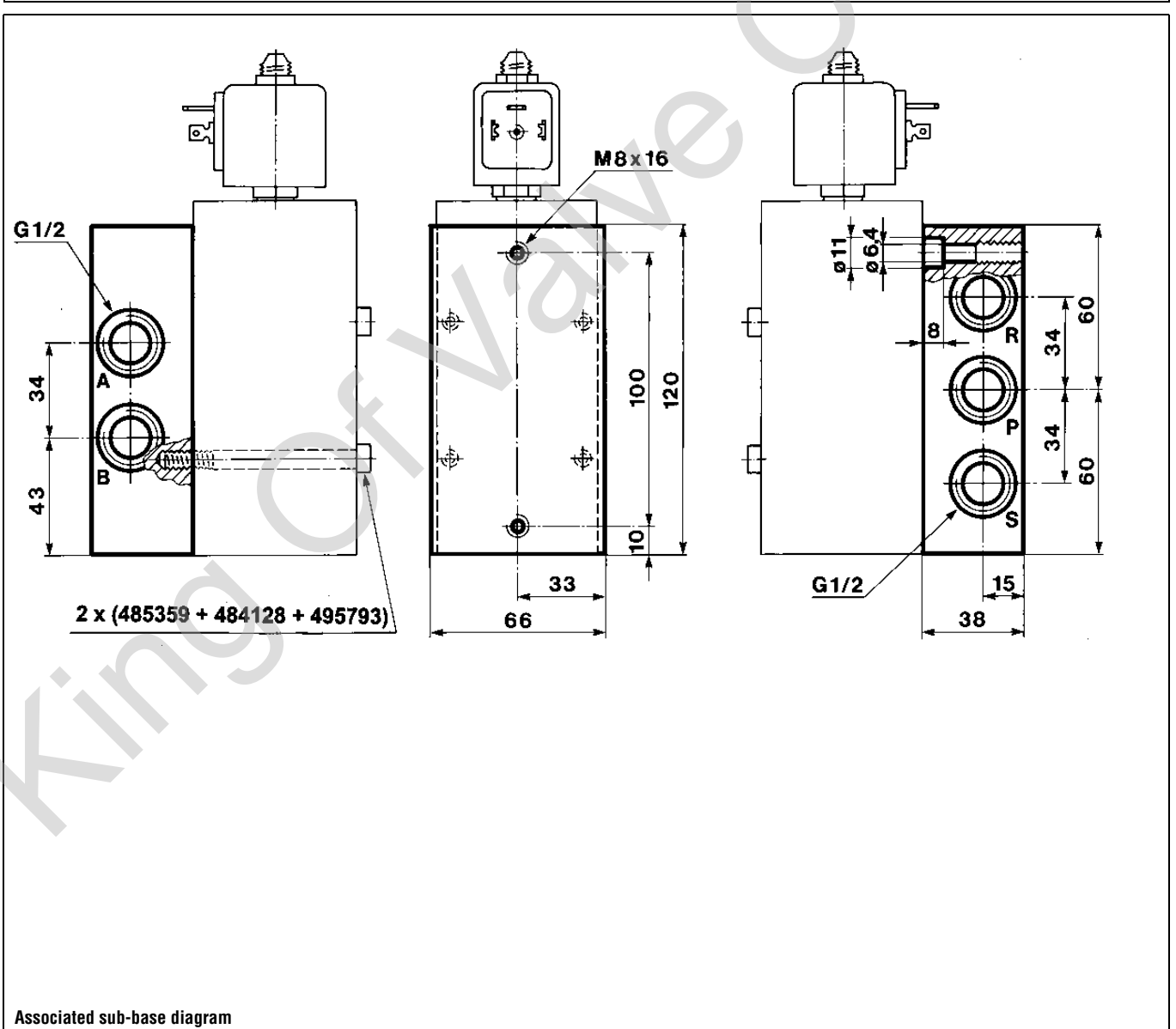
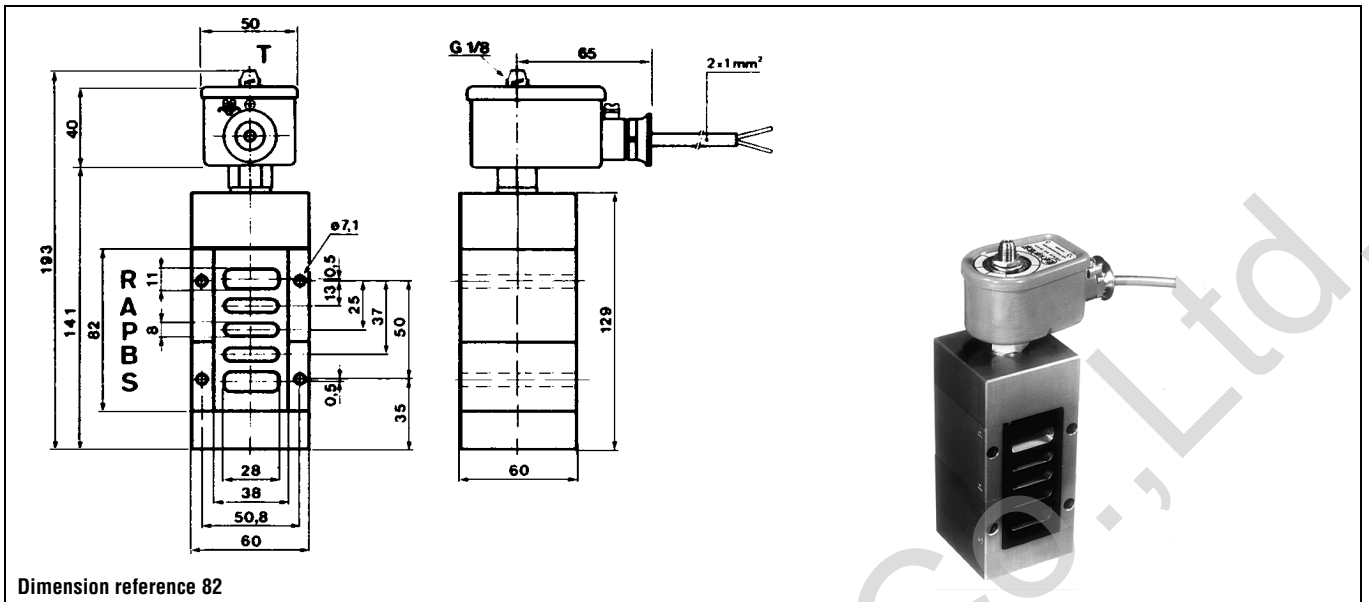
Table continued on page 218

Notes:

* See Electrical Parts Group table at end of section

1. Other coil-housing available: 488650.01, 488660.01, 488670.01 (refer to electrical parts at end of this section)
2. This reference no. is for the complete electrical part (coil + housing)

4-way pneumatic valves for pipe connection/sub-base mounting

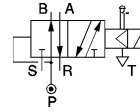


Associated sub-base diagram

4-way pneumatic valves for pipe connection/sub-base mounting

Port size	Orifice (mm)	Flow factors (L/min)	Admissible differential pressure bar			Fluid temp. °C	Seat disc	Reference numbers				Power consumption (W)		Wt. (g)	El. Part Group *	Dim ref.
			Min	Max				Global valve reference	Valve reference no.	Housing	Coil	DC	AC			
G		Qn		DC	AC											

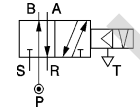
5/2 - Pilot operated -



Anod. aluminium body/Sub-base mounting

SB	15	5000	0.5	10	10	75	NBR	7341LAV4TNM0	E341L21	2995	481865	9	8	1240	2	91
	15	5000	0.5	10	10	75	NBR			4270	481000	8	8	1360	2	

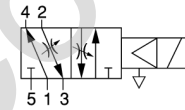
5/2 - Impulse coil -



Anod. aluminium body/Sub-base mounting

SB	15	5000	0.5	-	10	75	NBR	7345LAV4TNM0	345L21	4269	484990	-	11	1360	4	91
	15	5000	0.5	10	-	75	NBR			4269	485400	13	-	1360	4	

5/2 - Pilot operated -



Delrin body/Sub-base mounting CETOP 1/8

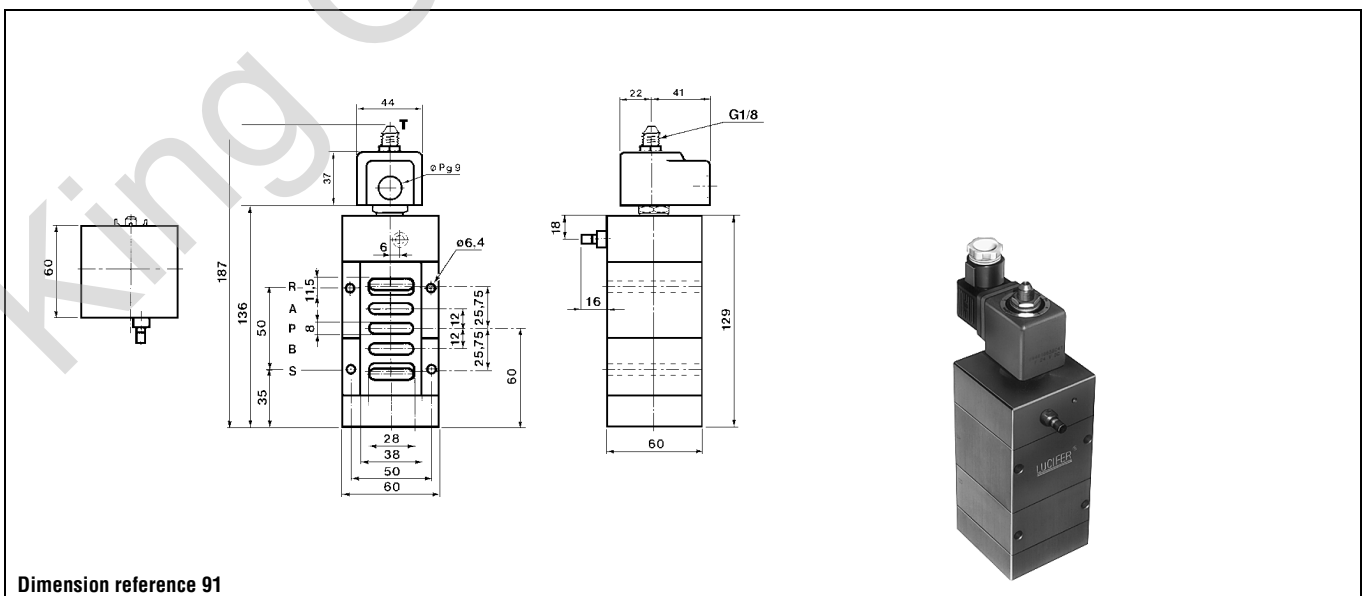
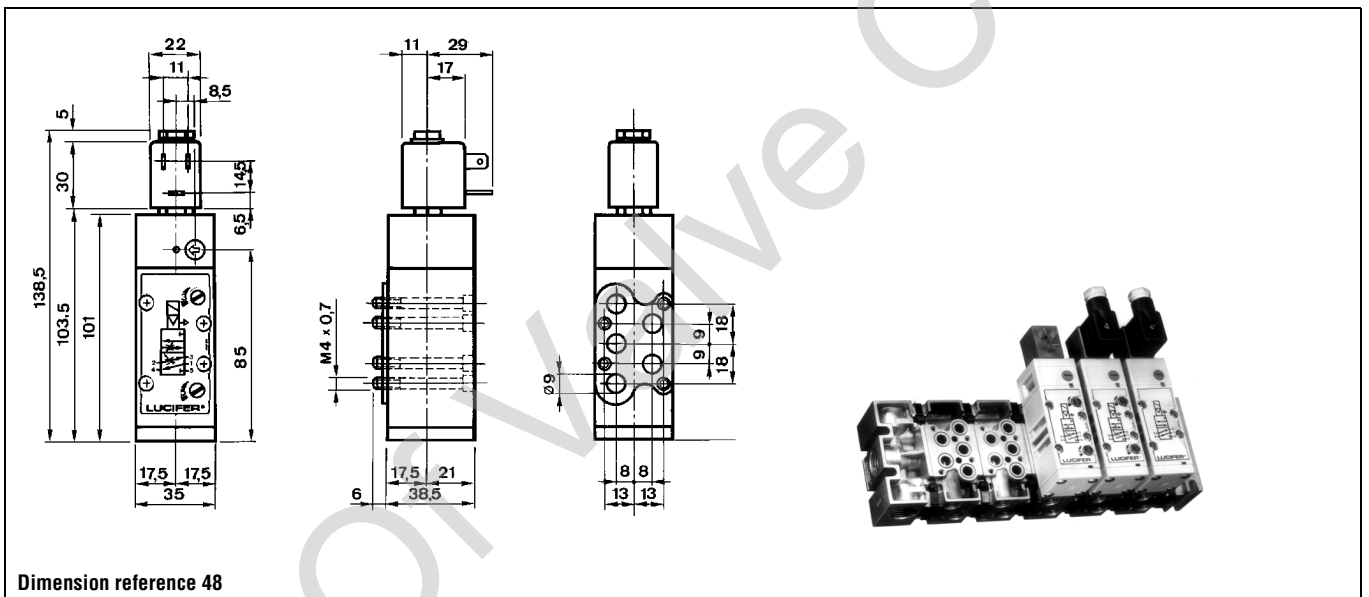
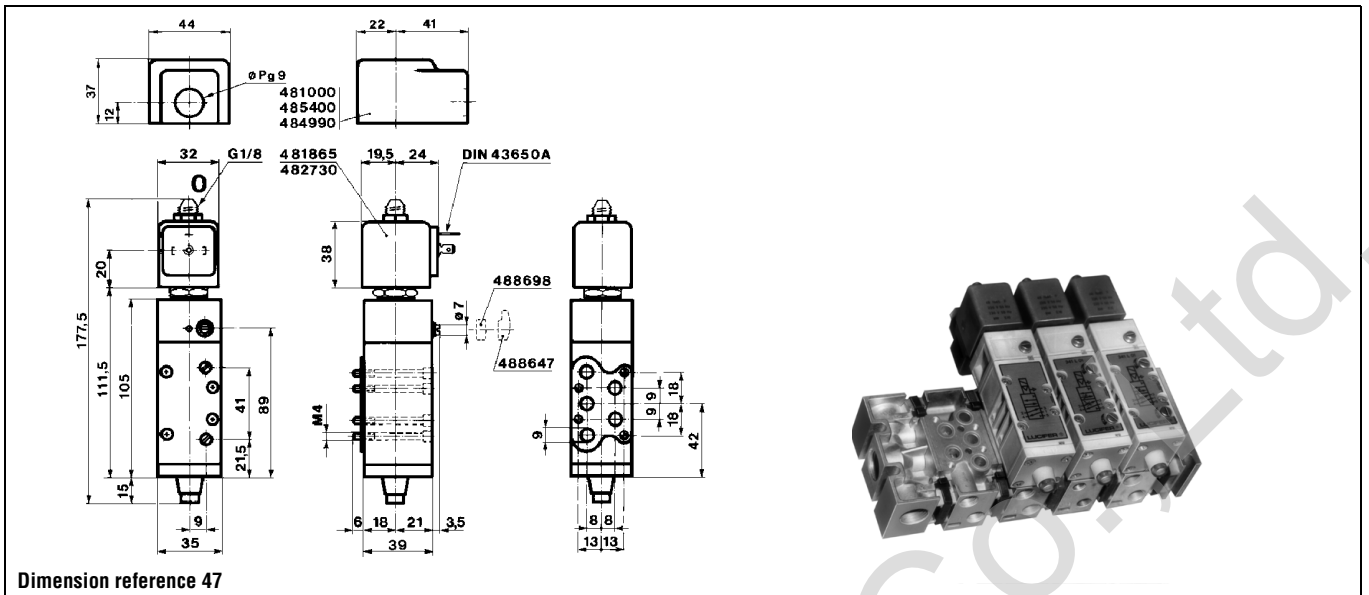
CETOP	6	800	1	10	-	75	NBR	7341LDC1LNL8	341L0180	2995	482740	1.6	-	430	6	47
	6	800	1	10	10	75	NBR	-	341L04 ¹	8993	488980	2.5	2	-	1	48
	6	800	1	10	10	75	NBR	-	341L05 ²	8993	488980	2.5	2	-	1	48
	6	800	1	10	10	75	NBR	7341LDC1LNM8	E341L01 ¹	2995	481865 ³	9	8	430	2	47
	6	800	1	10	10	75	NBR			4270	481000 ³	8	8	560	2	
	6	800	1	10	10	75	NBR			2995	482730	7	6	430	2	
	6	800	1	10	10	75	NBR	7341LDC1LNMI	E341L02 ²	2995	481865	9	8	420	2	47
	6	800	1	10	10	75	NBR			4270	481000	8	8	550	2	
	6	800	1	10	10	75	NBR			2995	482730	7	6	420	2	

Table continued on page 220

Notes:

- * See Electrical Parts Group table at end of section
- 1. Manual override and flow regulating screws standard
- 2. Manual override standard
- 3. Switch-on time limited to 50% ED. For 100% ED please use coil ref. 482730

4-way pneumatic valves for pipe connection/sub-base mounting

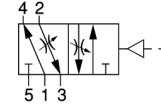


4-way pneumatic valves for pipe connection/sub-base mounting

Port size	Orifice (mm)	Flow factors (L/min) Qn	Admissible differential pressure bar			Fluid temp. °C Gas	Seat disc	Reference numbers				Power consumption (W)		Wt. (g)	El. Part Group *	Dim ref.
			Min	Max				Global valve reference	Valve reference no.	Housing	Coil	DC	AC			

Delrin body/Sub-base mounting CETOP 1/8

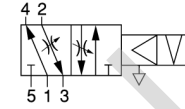
5/2 - External pressure supply -



CETOP	6	800	0	10	10	75	NBR	7541LDC1LNR0	541L01	1	-	-	-	-	360	-	90
-------	---	-----	---	----	----	----	-----	--------------	---------------	---	---	---	---	---	-----	---	----

Delrin body/Sub-base mounting CETOP 1/8

5/2 - Impulse coil -

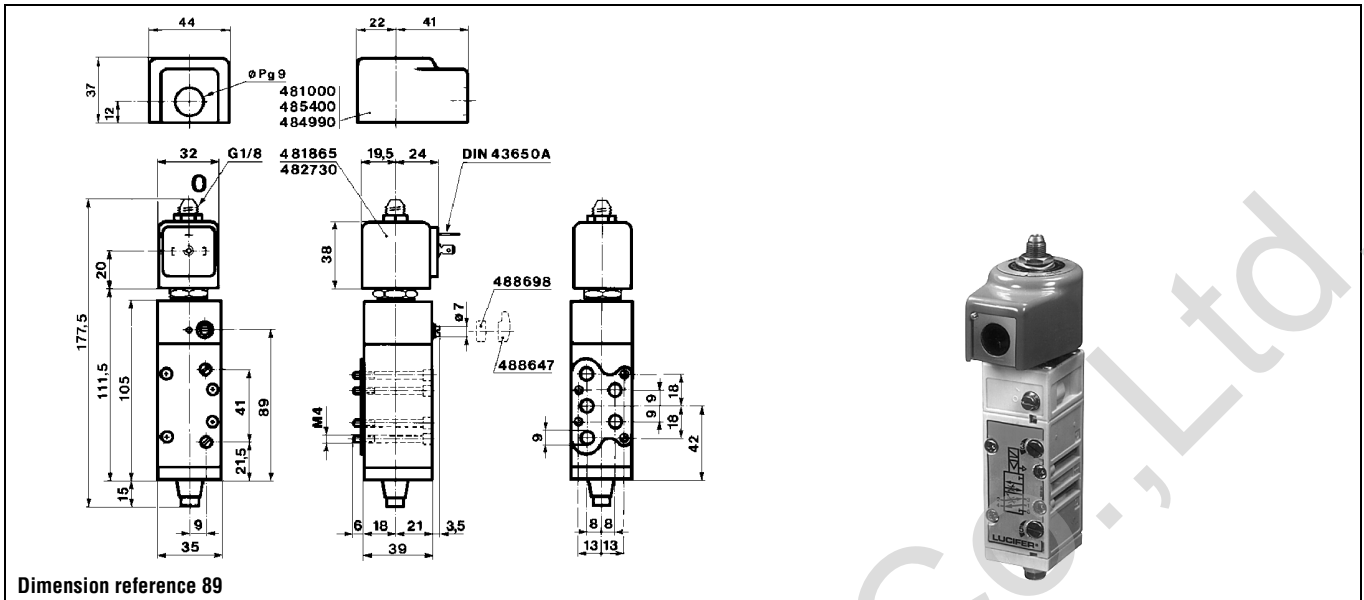


CETOP	6	800	1	-	10	75	NBR	7345LDC1LNM8	345L01	2	4269	484990	-	11	580	4	89
	6	800	1	10	-	75	NBR				4269	485400	13	-	580	4	

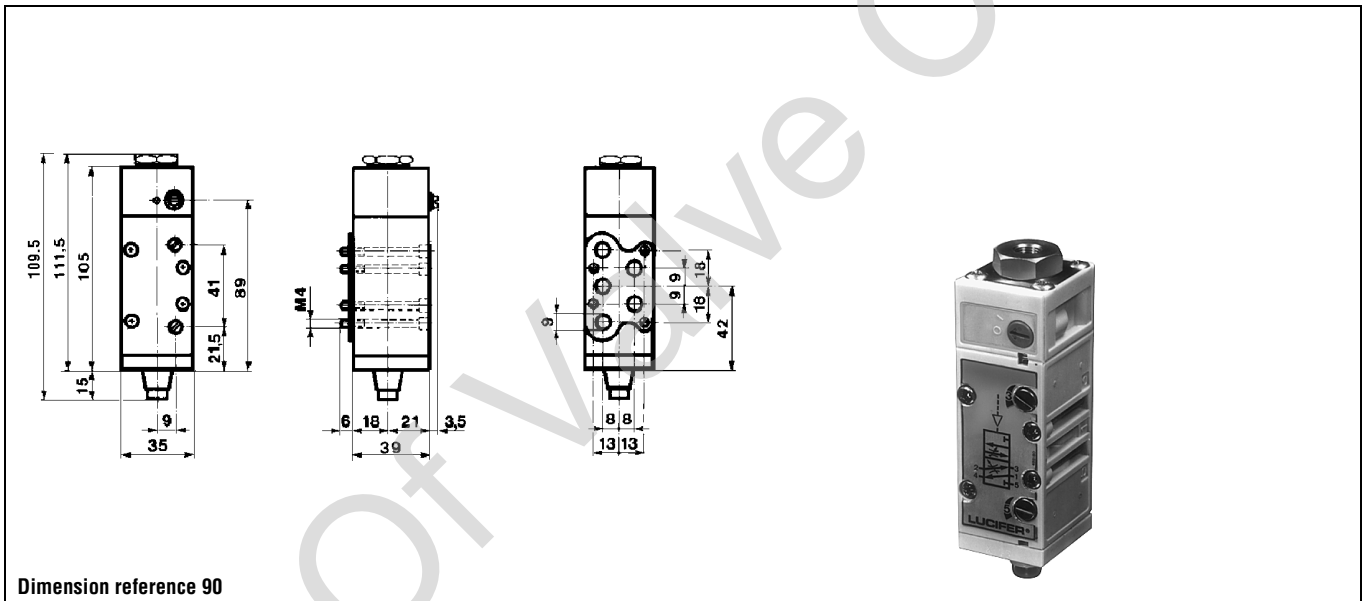
Notes:

- * See Electrical Parts Group table at end of section
- 1. Flow regulating screws standard
- 2. Manual override and flow regulating screws standard

4-way pneumatic valves for pipe connection/sub-base mounting



Dimension reference 89

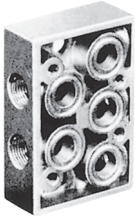


Dimension reference 90

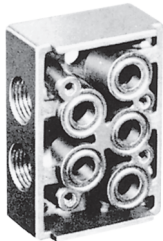
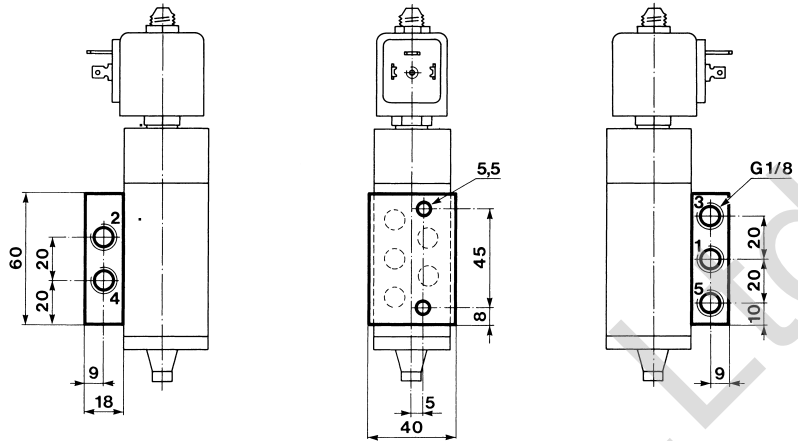
4-way pneumatic valves for pipe connection/sub-base mounting

Manifold blocks for

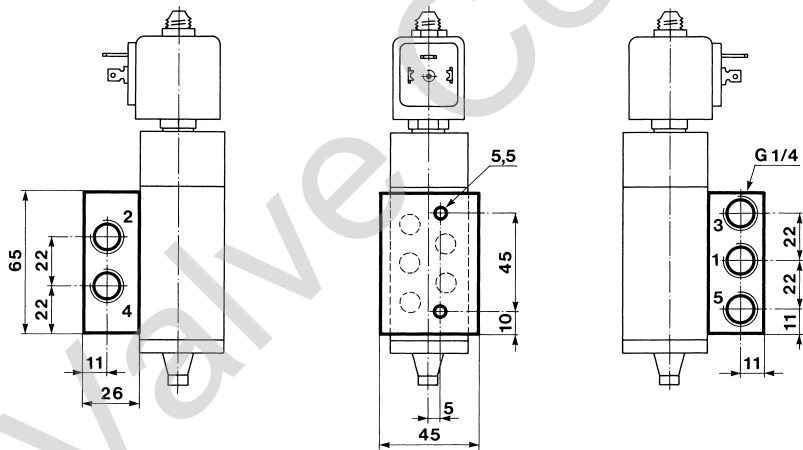
E 341 L 01
E 341 L 02
345 L 01
541 L 01



No. 486867, G 1/8



No. 486866, G 1/4



Installation information:

Each valve is supplied with four mounting screws and a performed seal in the valve body.

For modular assembly:

Uniform alloy modular elements
No. 486870, G 1/8
No. 486869, G 1/4

For single valves:

Uniform alloy sub-bases
No. 486867, G 1/8
No. 486866, G 1/4

Plugs:

No. 484285, G 1/8
No. 484083, G 1/4
No. 484174, G 1/2

Separating gasket:

No. 488252
A complete sealing gasket, made from synthetic rubber, can be inserted between two modular elements to separate a modular valve assembly into two independent control systems.

End plates:

Made from alloy these close off the modular elements.
No. 487816, G 1/4
No. 487734, G 1/2

Assembly kit:

No. 487744 containing
2 mounting clamps
1 preformed seal

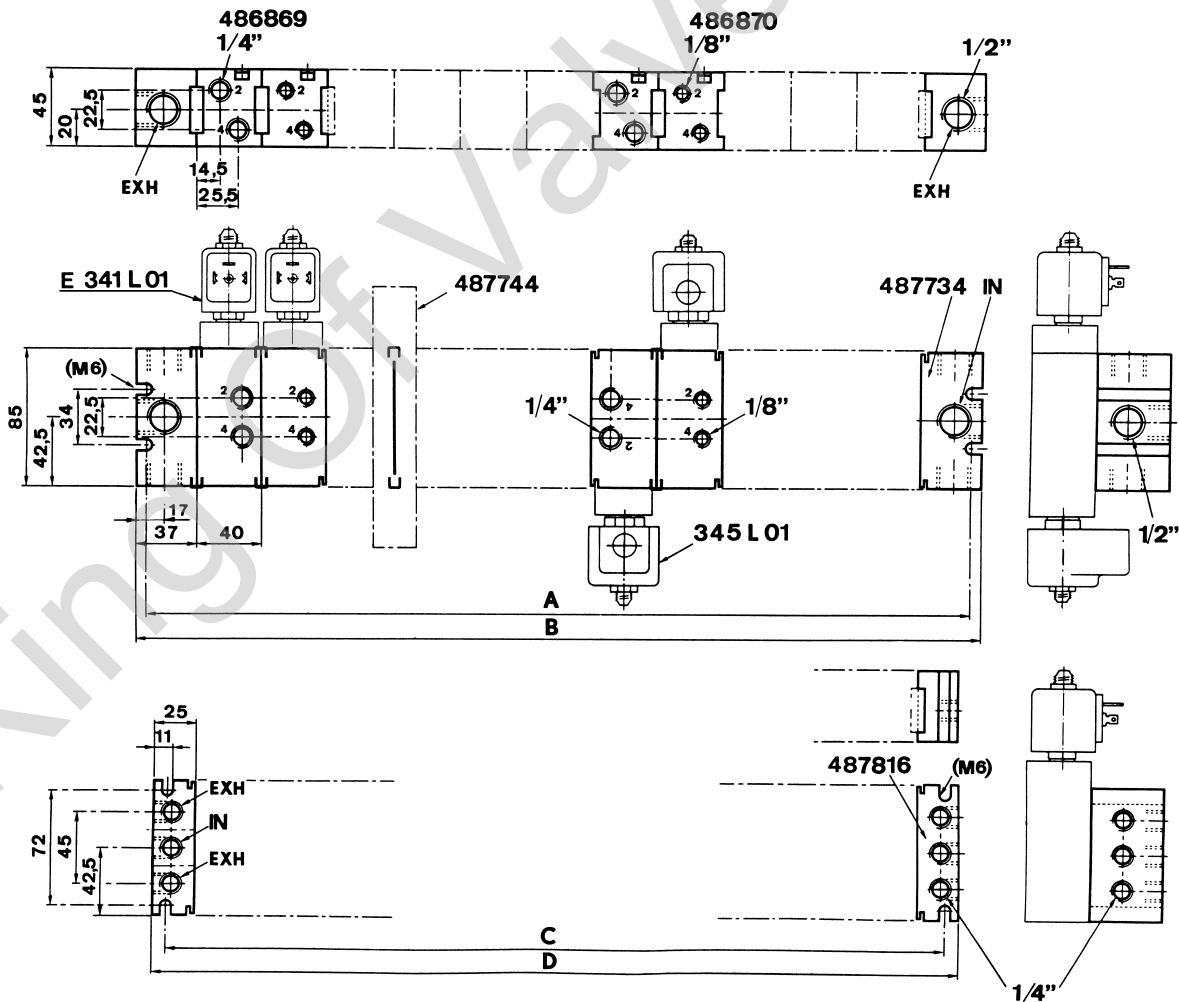
Ordering example:

4 solenoid valves E 341 L 01
482995, 481865, 220/50
4 modular elements
No. 486870, G 1/8
2 end plates No. 487816, G 1/4
5 assembly kits (4 + 1)
No. 487744.

4-way pneumatic valves for pipe connection/sub-base mounting

Modular Assembly

Accessories		Ref. No.	Weight		
Modular elements		486870 486869	205 g		
End plates		487816 487734	160 g 155 g		
Assembly kit		487744	16 g		
Separating gasket		488252	10 g		
Plugs		484285 484083 484174	4 g 6 g 15 g		
Quantity of valves by assembly	Dimensions				Quantity assembly kits
	A	B	C	D	
1	102	114	74	90	2
2	142	154	114	130	3
3	182	194	154	170	4
4	222	234	194	210	5
...n	62+40n	74+40n	34+40n	50+40n	n + 1



All valves models E 341 L 01, E 341 L 02, 345 L 01 and 541 L 01 can be manifold mounted on the same base.