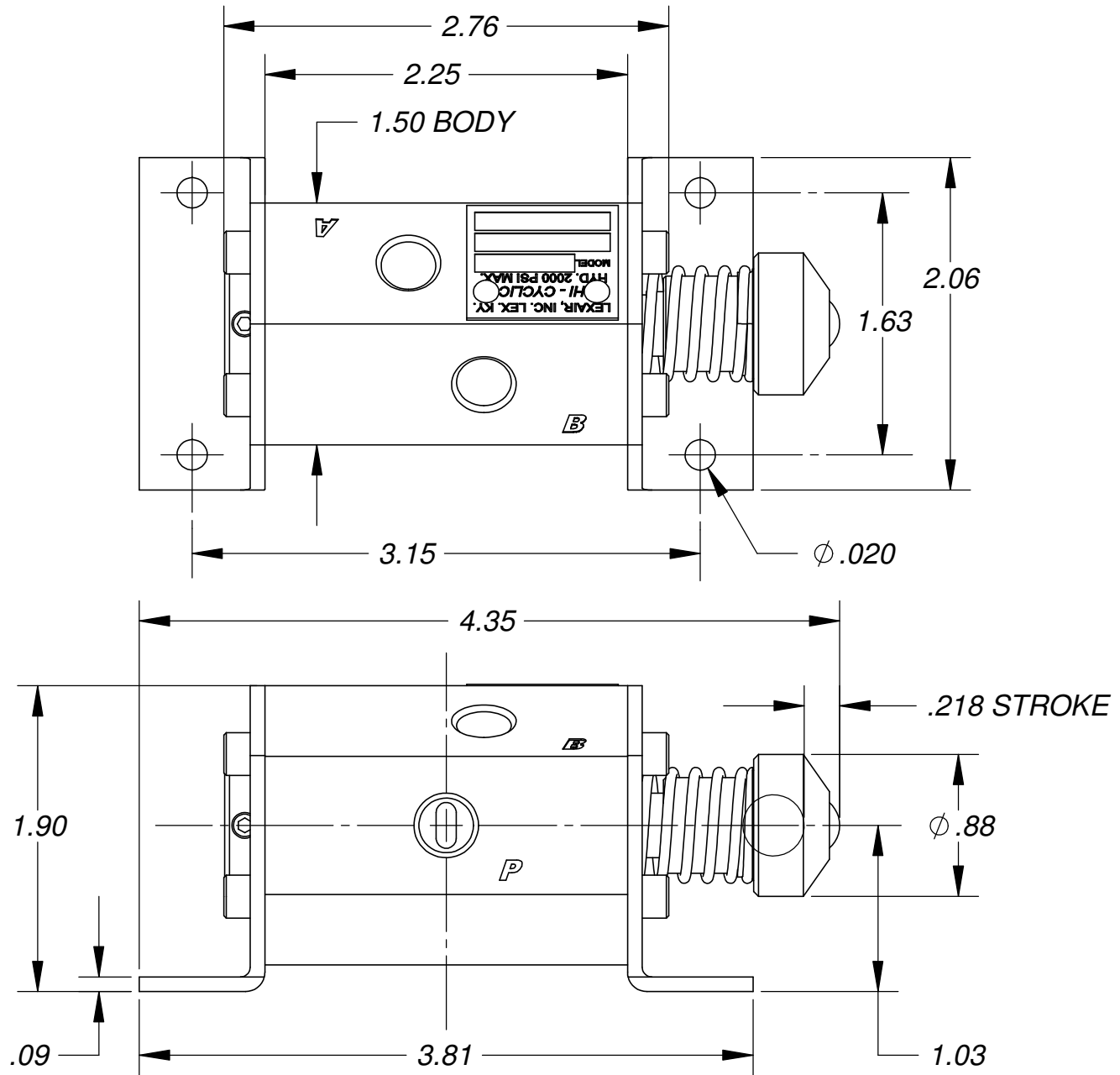
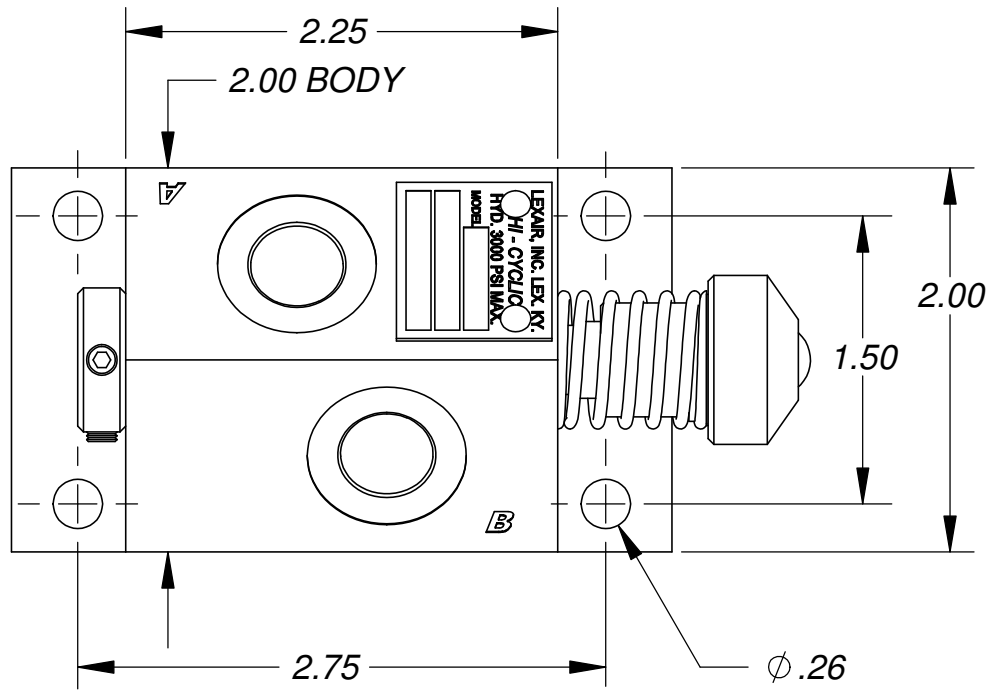
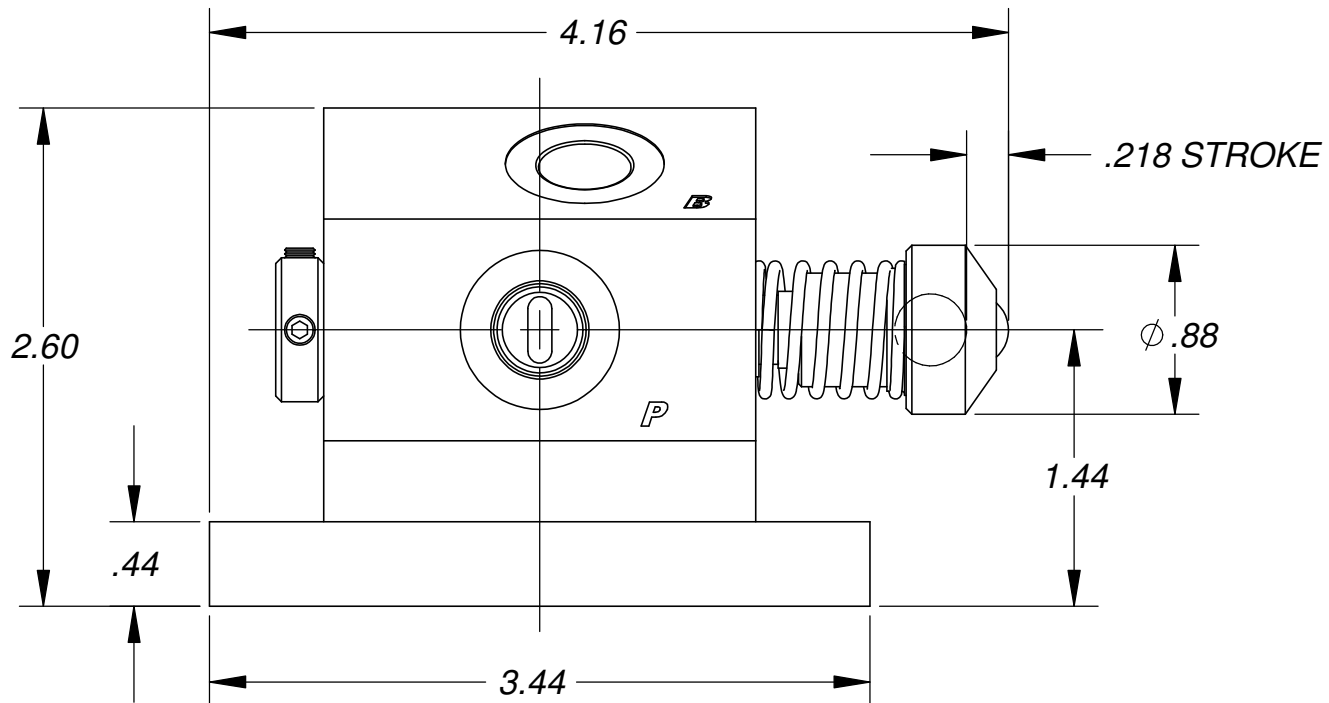


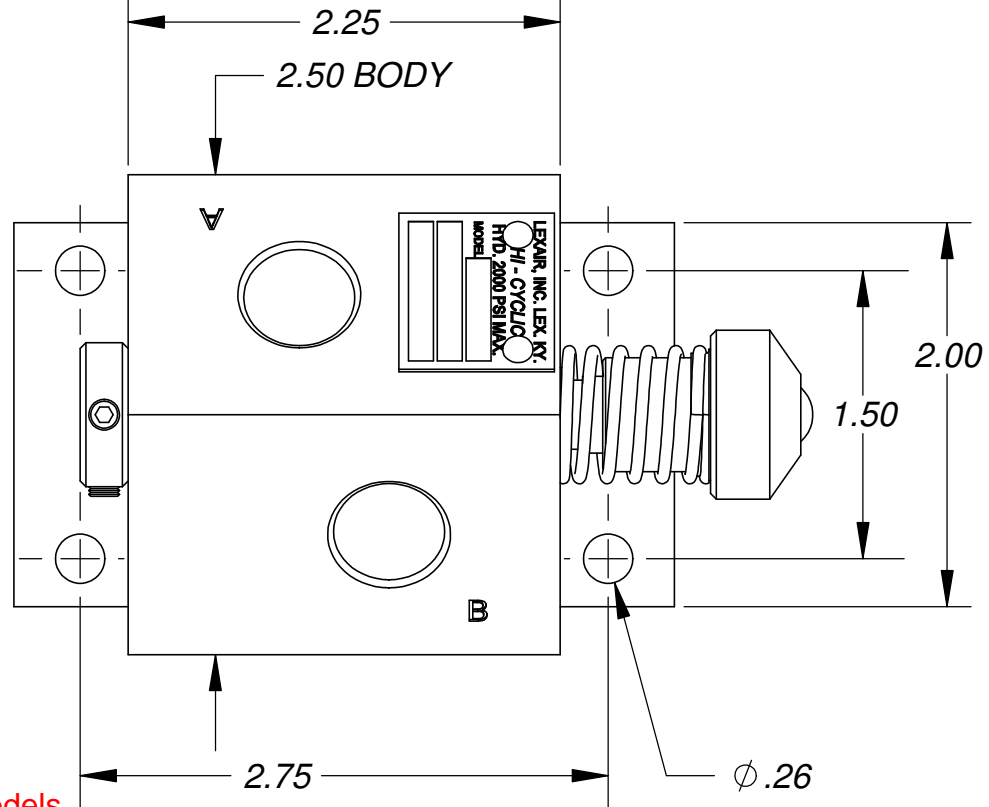
# 1/8" and 1/4" NPT Models





7/16-20 SAE Models





3/8" and 1/2" NPT plus 9/16-18 SAE Models

