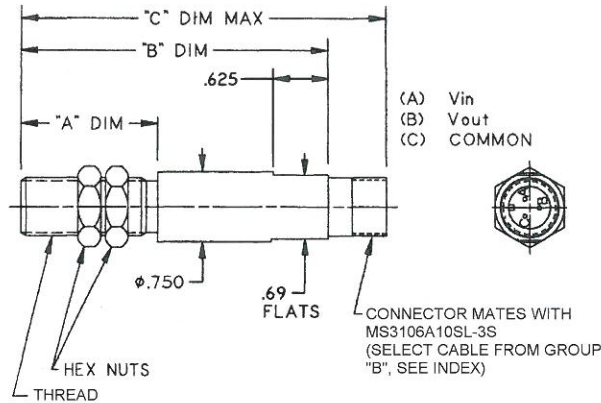


Zero Velocity - Magnetic Hall Effect Sensors - 5/8 and 3/4 Threads

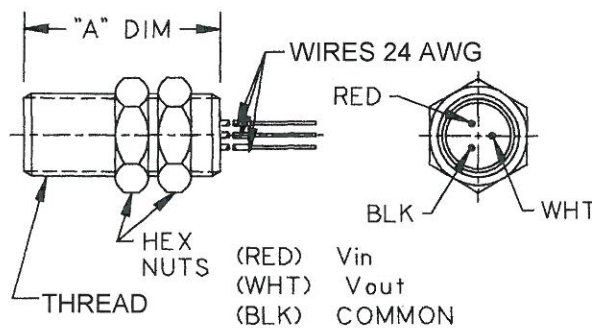
Round Body with Connector



Part Num.	Thread	"A" Dimension	"B" Dimension	"C" Dimension	Output
RH1512-005	.625-18 UNF-2A	1.500 (38.100)	3.375 (85.725)	4.012 (101.905)	TTL Compatible
RH1522-005	.625-18 UNF-2A	1.500 (38.100)	3.375 (85.725)	4.012 (101.905)	Supply Tracking
RH1512-006	.625-18 UNF-2A	2.750 (69.850)	4.625 (117.475)	5.262 (133.655)	TTL Compatible
RH1522-006	.625-18 UNF-2A	2.750 (69.850)	4.625 (117.475)	5.262 (133.655)	Supply Tracking
RH1512-007	.625-18 UNF-2A	4.000 (101.600)	5.875 (149.225)	6.512 (165.405)	TTL Compatible
RH1522-007	.625-18 UNF-2A	4.000 (101.600)	5.875 (149.225)	6.512 (165.405)	Supply Tracking
RH1612-005	.750-20 UNEF-2A	1.500 (38.100)	3.375 (85.725)	4.012 (101.905)	TTL Compatible
RH1622-005	.750-20 UNEF-2A	1.500 (38.100)	3.375 (85.725)	4.012 (101.905)	Supply Tracking
RH1612-006	.750-20 UNEF-2A	2.750 (69.850)	4.625 (117.475)	5.262 (133.655)	TTL Compatible
RH1622-006	.750-20 UNEF-2A	2.750 (69.850)	4.625 (117.475)	5.262 (133.655)	Supply Tracking
RH1612-007	.750-20 UNEF-2A	4.000 (101.600)	5.875 (149.225)	6.512 (165.405)	TTL Compatible
RH1622-007	.750-20 UNEF-2A	4.000 (101.600)	5.875 (149.225)	6.512 (165.405)	Supply Tracking

Net Weight: 7 oz. max.

Fully Threaded with Leads



Part Num.	Thread	"A" Dimension	Lead Length	Output
RH1512-009	.625-18 UNF-2A	1.500 (38.100)	12(304)	TTL Compatible
RH1522-009	.625-18 UNF-2A	1.500 (38.100)	12(304)	Supply Tracking
RH1512-010	.625-18 UNF-2A	2.750 (69.850)	12(304)	TTL Compatible
RH1522-010	.625-18 UNF-2A	2.750 (69.850)	12(304)	Supply Tracking
RH1612-009	.750-20 UNEF-2A	1.500 (38.100)	12(304)	TTL Compatible
RH1622-009	.750-20 UNEF-2A	1.500 (38.100)	12(304)	Supply Tracking
RH1612-010	.750-20 UNEF-2A	2.750 (69.850)	12(304)	TTL Compatible
RH1622-010	.750-20 UNEF-2A	2.750 (69.850)	12(304)	Supply Tracking

Net Weight: 3 oz. max.

Dimensions in inches and (mm).