

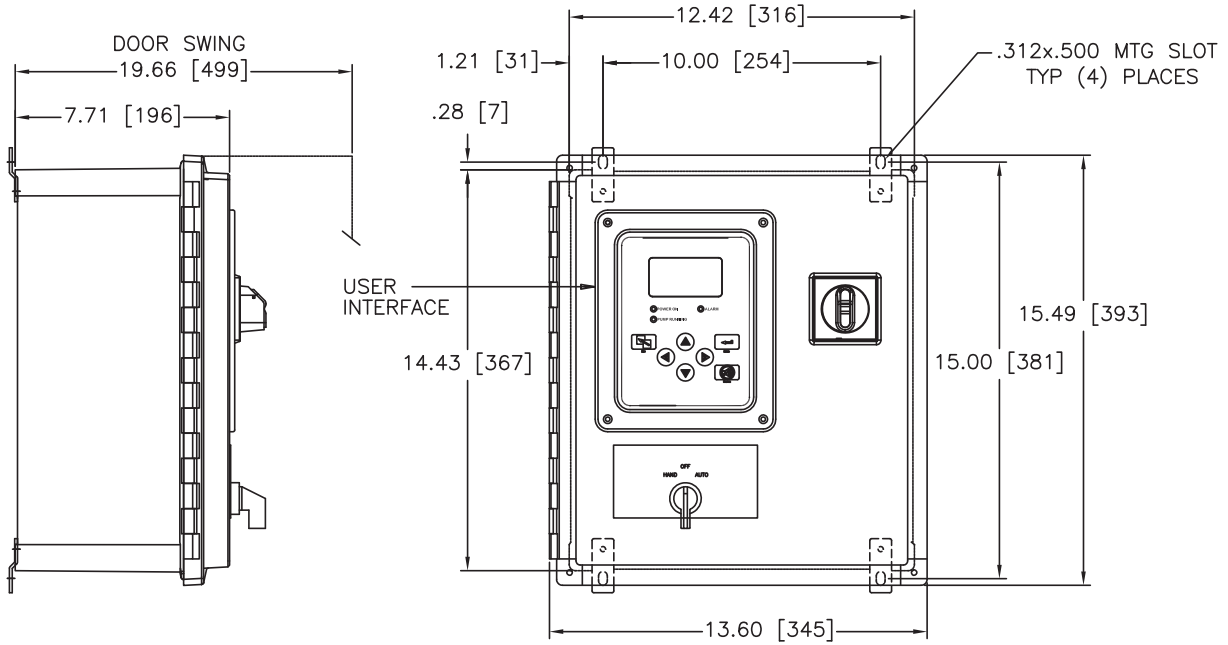
(DRAWINGS INCLUDED IN THIS PACKAGE ARE FOR STANDARD CONTROLLERS. ACTUAL "AS BUILT" DRAWINGS MAY DIFFER FROM THOSE SEEN HERE).

FTA550F

Firetrol®

Limited Option Jockeyxg Pump Controller

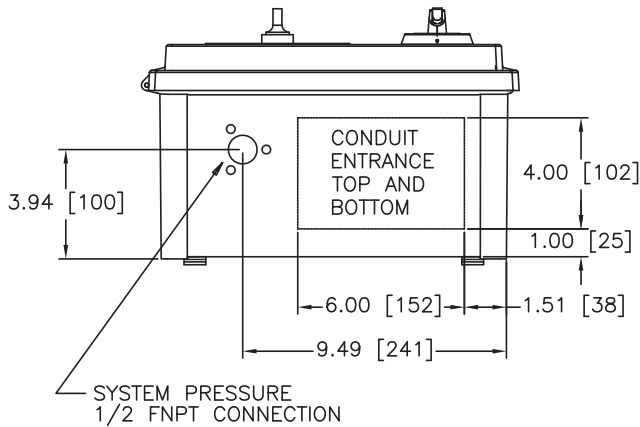
FTA550F
Dimensional Drawing



NOTE
CONDUIT ENTRANCE TOP AND BOTTOM ONLY DO NOT ENTER FROM SIDES.

CAUTION
BONDING BETWEEN CONDUIT CONNECTIONS IS NOT AUTOMATIC AND MUST BE PROVIDED AS PART OF THE INSTALLATION.

DIMENSIONS SHOWN ON THIS DRAWING ARE APPLICABLE FOR NEMA TYPES 2/3R/4/4X/12



SHIPPING WEIGHT
APPROX. 15 [6.8]

MAXIMUM MOTOR HORSEPOWER				
200-208V	220-240V	380-415V	440-480V	550-600V
7 1/2	10	15	20	20

ALL DIMENSIONS - INCHES [MM]
SHIPPING WEIGHT - POUNDS [KG]

ASCO Power Technologies®

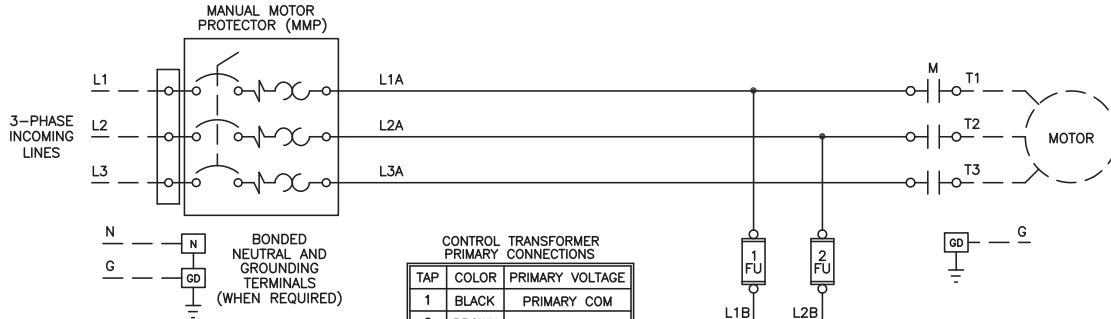
PROJECT NAME:				REV. TO SHEET	ECN NO.	BY	APP.	DATE
Dimensions and Shipping Weight				FTA550F				
JOCKEY XG PUMP CONTROLLER (POLYCARBONATE)								
			MANUFACTURING TOLERANCES TO BE IN ACCORDANCE WITH ASCO PROCEDURE MP-1-003. FOR PLASTIC PARTS SEE MP-1-055			ASSEM. REF. NO.		
DRAWN BY			CHECKED			COMPUTER GENERATED DRAWING		
TEF			02/29/12			SCALE 1:1 SIZE A		
PROJECT APPROVAL			PROPERTY OF ASCO POWER TECHNOLOGIES. USE PERMITTED FOR OUR WORK ONLY. ALL RIGHTS OF DESIGN OR INVENTION ARE RESERVED.			DWG. NO.		
TEF			02/29/12			DD550-01		
FINAL APPROVAL			ASCO® ASCO POWER TECHNOLOGIES, L.P. FLORHAM PARK, NEW JERSEY 07932 U.S.A.			DRAWING REV. -		ECN NO. 236029 SHEET 1 OF 1

THIRD ANGLE PROJECTION

Firetrol[®]

Limited Option Jockeyxg Pump Controller

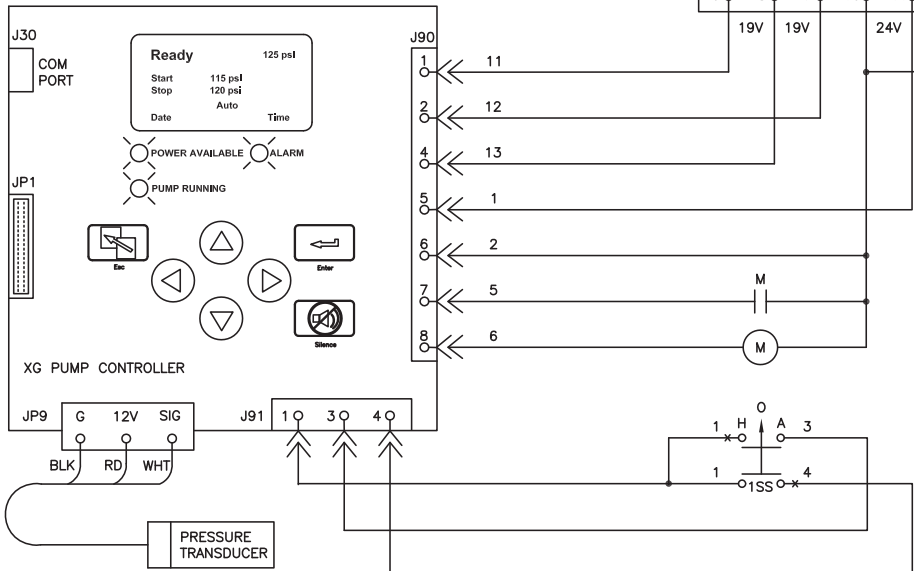
FTA550F
3 Phase
Wiring Schematic



CAUTION
BONDING BETWEEN CONDUIT CONNECTIONS IS NOT AUTOMATIC AND MUST BE PROVIDED AS PART OF THE INSTALLATION.

CONTROL TRANSFORMER PRIMARY CONNECTIONS

TAP	COLOR	PRIMARY VOLTAGE
1	BLACK	PRIMARY COM
2	BROWN	200-208VAC
3	YELLOW	220-240VAC
4	BLUE	380-415VAC
5	PURPLE	440-480VAC
6	GRAY	550-600VAC



NEUTRAL AND GROUND TERMINALS WIRE CAPACITY (CU)
#14 AWG-#6 AWG
2.5 MM²-16 MM²

PRESSURE SYSTEM CONNECTION
1/2" FNPT

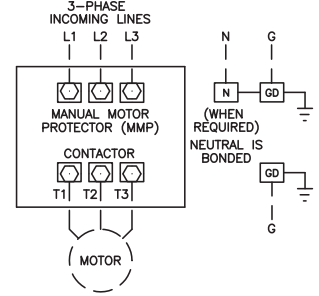
LINE TERMINALS-WIRE CAPACITY (CU) ¹

MAXIMUM MOTOR HORSEPOWER					WIRE SIZE COPPER ONLY
200-208V	220-240V	380-415V	440-480V	550-600V	
7 1/2	10	15	20	20	#10 AWG-#4 AWG 6 MM ² -25 MM ²

MOTOR TERMINALS-WIRE CAPACITY (CU) ¹

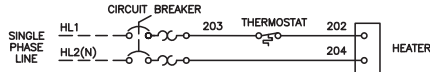
MAXIMUM MOTOR HORSEPOWER					WIRE SIZE COPPER ONLY
200-208V	220-240V	380-415V	440-480V	550-600V	
7 1/2	10	15	20	20	#14 AWG-#8 AWG 2.5 MM ² -10 MM ²

¹ FOR CORRECT WIRE SIZING, REFER TO NATIONAL ELECTRICAL CODE, NFPA 70.

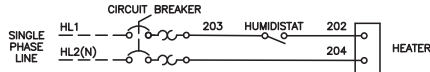


PROJECT NAME:		REV. TO SHEET	ECN NO.	BY	APP.	DATE
WIRING SCHEMATIC		FTA550F		THIRD ANGLE PROJECTION		
JOCKEY XG PUMP CONTROLLER WITH MANUAL MOTOR PROTECTOR						
DRAWN BY	TEF	DATE	02/27/12	MANUFACTURING TOLERANCES TO BE IN ACCORDANCE WITH ASCO PROCEDURE MP-1-003. FOR PLASTIC PARTS SEE MP-1-055	ASSEM. REF. NO.	COMPUTER GENERATED DRAWING
CHECKED				PROPERTY OF ASCO POWER TECHNOLOGIES. USE PERMITTED FOR OUR WORK ONLY. ALL RIGHTS OF DESIGN OR INVENTION ARE RESERVED.		SCALE 1:1 SIZE A
PROJECT APPROVAL						DWG. NO. WS550-01
FINAL APPROVAL	TEF	DATE	02/29/12	ASCO [®] ASCO POWER TECHNOLOGIES, L.P. FLORHAM PARK, NEW JERSEY 07932 U.S.A.		DRAWING REV. - ECN NO. 236029 SHEET 1 OF 1

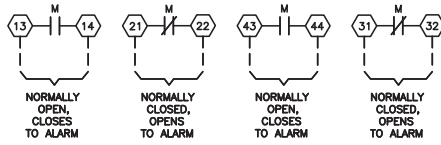
- MODIFICATION J - SPACE HEATER, 110-120VAC (WITH THERMOSTAT)
- MODIFICATION M - SPACE HEATER, 220-240VAC (WITH THERMOSTAT)



- MODIFICATION K - SPACE HEATER, 110-120VAC (WITH HUMIDISTAT)
- MODIFICATION N - SPACE HEATER, 220-240VAC (WITH HUMIDISTAT)

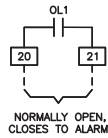


- MODIFICATION AC - PUMP OPERATING ALARM CONTACTS

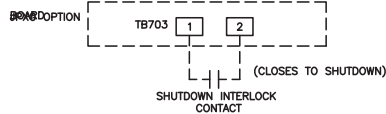


○ - TERMINALS LOCATED ON CONTACTOR (M)

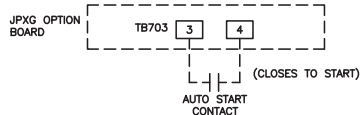
- MODIFICATION BY - PUMP OVERLOAD REMOTE ALARM CONTACT



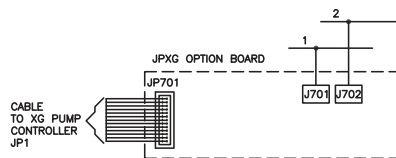
- MODIFICATION NZ - INTERLOCK SHUTDOWN IN AUTO



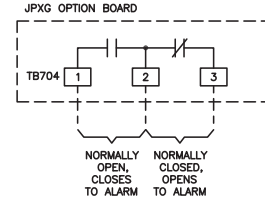
- MODIFICATION AST - REMOTE AUTO START INPUT



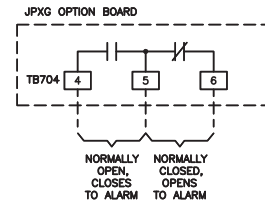
WIRING REQUIRED WHEN JPXG OPTION BOARD IS USED



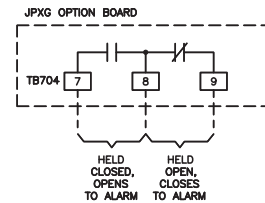
- MODIFICATION AM - PUMP FAILED TO START REMOTE ALARM CONTACTS



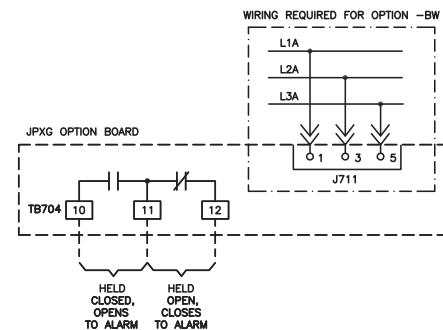
- MODIFICATION EF - SWITCH NOT IN AUTO REMOTE ALARM CONTACTS



- MODIFICATION KH - COMMON TROUBLE REMOTE ALARM CONTACTS



- MODIFICATION BW - PHASE FAILURE/REVERSAL REMOTE ALARM CONTACTS



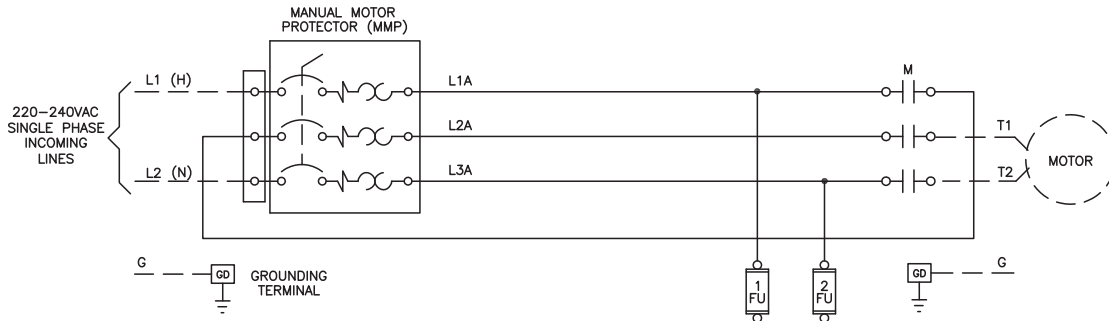
CONTROL AND ALARM TERMINAL WIRE CAPACITY	
JPXG OPTION BOARD TERMINALS	#18-12 AWG [75-4 MM ²]
PUMP OPERATING TERMINALS	#18-14 AWG [75-2.5 MM ²]
CIRCUIT BREAKERS	#14-4 AWG [2.5-25 MM ²]

PROJECT NAME:		REV. TO SHEET	ECN NO.	BY	APP.	DATE
WIRING SCHEMATIC		FTA550F		THIRD ANGLE PROJECTION		
JOCKEY XG PUMP CONTROLLER WITH MANUAL MOTOR PROTECTOR						
OPTIONS AND MODIFICATIONS						
DRAWN BY	TEF	DATE	02/27/12	MANUFACTURING TOLERANCES TO BE IN ACCORDANCE WITH ASCO PROCEDURE MP-1-003. FOR PLASTIC PARTS SEE MP-1-055	ASSEM. REF. NO.	COMPUTER GENERATED DRAWING
CHECKED				PROPERTY OF ASCO POWER TECHNOLOGIES. USE PERMITTED FOR OUR WORK ONLY. ALL RIGHTS OF DESIGN OR INVENTION ARE RESERVED.		SCALE 1:1 SIZE A
PROJECT APPROVAL						DWG. NO. WS550-02
FINAL APPROVAL	TEF	DATE	02/29/12	ASCO® ASCO POWER TECHNOLOGIES, L.P. FLORHAM PARK, NEW JERSEY 07932 U.S.A.		DRAWING REV. - ECN NO. 236029 SHEET 1 OF 1

Firetrol®

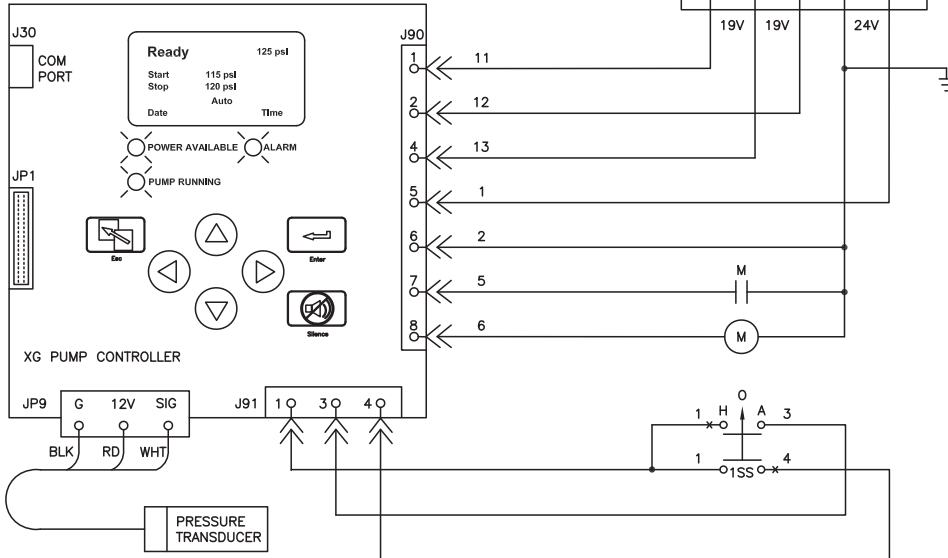
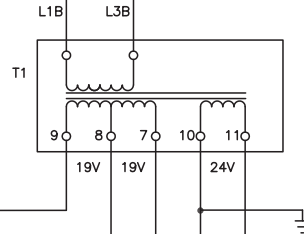
Limited Option Jockeyxg Pump Controller

FTA550F
220-240V - 1 Phase
Wiring Schematic



CAUTION
BONDING BETWEEN CONDUIT CONNECTIONS IS NOT AUTOMATIC AND MUST BE PROVIDED AS PART OF THE INSTALLATION.

TAP	COLOR	PRIMARY VOLTAGE
1	BLACK	PRIMARY COM
3	YELLOW	220-240VAC



GROUND TERMINALS WIRE CAPACITY (CU)
#14 AWG-#6 AWG
2.5 MM²-16 MM²

PRESSURE SYSTEM CONNECTION
1/2" FNPT

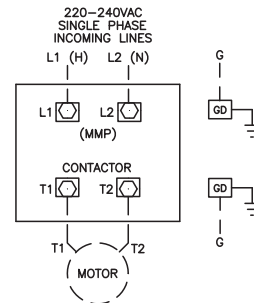
LINE TERMINALS—WIRE CAPACITY (CU)

MAXIMUM MOTOR HORSEPOWER	WIRE SIZE COPPER ONLY
220-240V	
5	#10 AWG-#4 AWG 6 MM ² -25 MM ²

MOTOR TERMINALS—WIRE CAPACITY (CU)

MAXIMUM MOTOR HORSEPOWER	WIRE SIZE COPPER ONLY
220-240V	
5	#14 AWG-#8 AWG 2.5 MM ² -10 MM ²

FOR CORRECT WIRE SIZING, REFER TO NATIONAL ELECTRICAL CODE, NFPA 70.

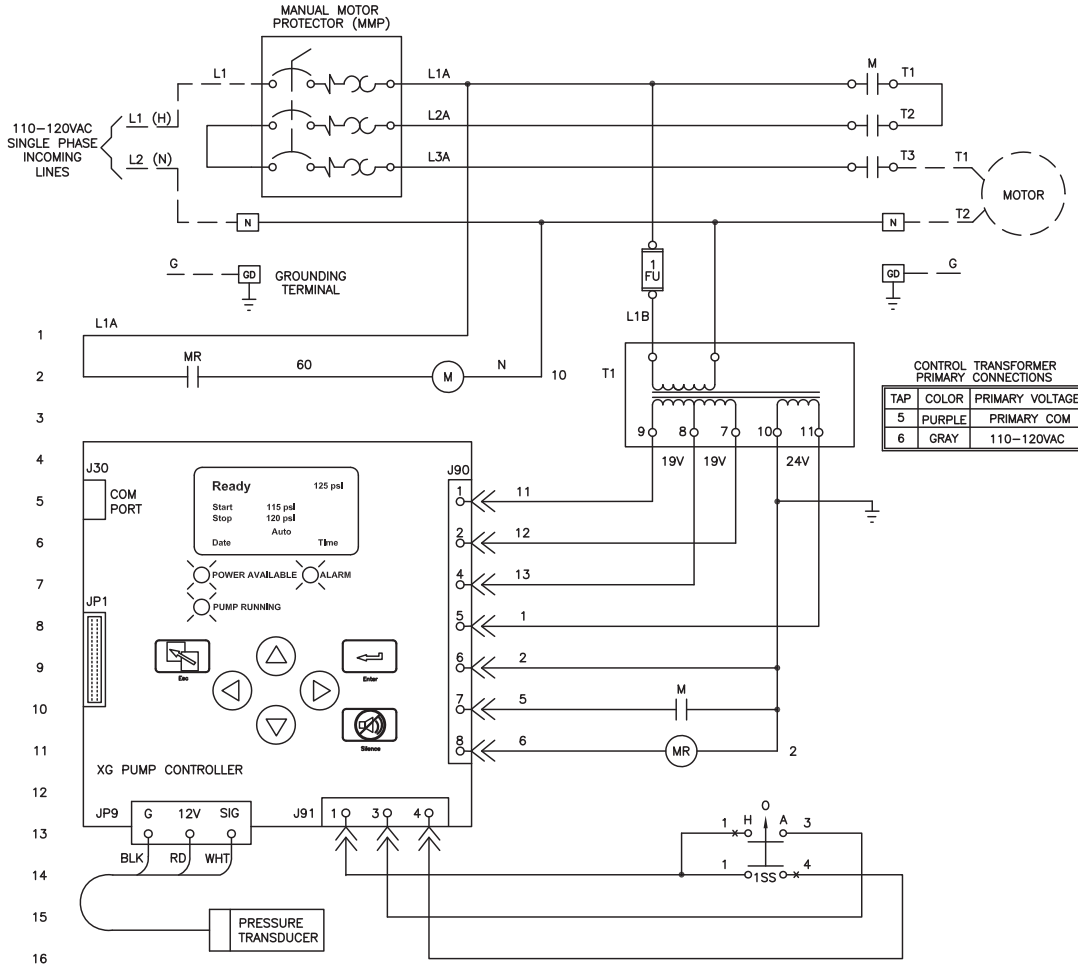


SEE ECN	B	239104	TEF	TEF	09/25/12
SEE ECN	A	239050	TEF	TEF	09/20/12
PROJECT NAME:			REV. TO SHEET	ECN NO.	BY APP. DATE
WIRING SCHEMATIC			FTA550F		
SINGLE PHASE JOCKEY XG PUMP CONTROLLER WITH MANUAL MOTOR PROTECTOR (220-240VAC)			THIRD ANGLE PROJECTION		
DRAWN BY	TEF	08/22/12	MANUFACTURING TOLERANCES TO BE IN ACCORDANCE WITH ASCO PROCEDURE MP-1-003. FOR PLASTIC PARTS SEE MP-1-055.		
CHECKED			PROPERTY OF ASCO POWER TECHNOLOGIES. USE PERMITTED FOR OUR WORK ONLY. ALL RIGHTS OF DESIGN OR INVENTION ARE RESERVED.		
PROJECT APPROVAL			SCALE	1:1	SIZE A
FINAL APPROVAL	TEF	08/22/12	COMPUTER GENERATED DRAWING		
ASCO® ASCO POWER TECHNOLOGIES, L.P. FLORHAM PARK, NEW JERSEY 07932 U.S.A.			WS550-13		
			DRAWING REV.	B	ECN NO. 239104 SHEET 1 OF 1

Firetrol®

Limited Option Jockeyxg Pump Controller

FTA550F
110-120V - 1 Phase
Wiring Schematic



CONTROL TRANSFORMER PRIMARY CONNECTIONS

TAP	COLOR	PRIMARY VOLTAGE
5	PURPLE	PRIMARY COM
6	GRAY	110-120VAC

GROUND TERMINALS WIRE CAPACITY (CU)

#14 AWG-#6 AWG	2.5 MM ² -16 MM ²
----------------	---

PRESSURE SYSTEM CONNECTION

1/2" FNPT

CAUTION
BONDING BETWEEN CONDUIT CONNECTIONS IS NOT AUTOMATIC AND MUST BE PROVIDED AS PART OF THE INSTALLATION.

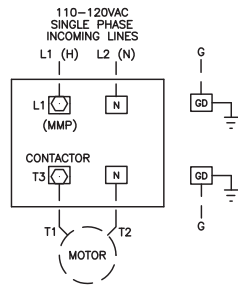
LINE TERMINALS-WIRE CAPACITY (CU) ①

MAXIMUM MOTOR HORSEPOWER	WIRE SIZE COPPER ONLY	NEUTRAL WIRE SIZE COPPER ONLY
110-120V		
1	#14 AWG-#12 AWG 2.5 MM ² -4 MM ²	#14 AWG-#8 AWG 2.5 MM ² -10 MM ²
2	#12 AWG-#8 AWG 4 MM ² -10 MM ²	#14 AWG-#8 AWG 2.5 MM ² -10 MM ²

MOTOR TERMINALS-WIRE CAPACITY (CU) ①

MAXIMUM MOTOR HORSEPOWER	WIRE SIZE COPPER ONLY	NEUTRAL WIRE SIZE COPPER ONLY
110-120V		
2	#14 AWG-#8 AWG 2.5 MM ² -10 MM ²	#14 AWG-#8 AWG 2.5 MM ² -10 MM ²

① FOR CORRECT WIRE SIZING, REFER TO NATIONAL ELECTRICAL CODE, NFPA 70.



PROJECT NAME:		REV. TO SHEET	ECN NO.	BY	APP.	DATE
WIRING SCHEMATIC		FTA550F		THIRD ANGLE PROJECTION		
SINGLE PHASE JOCKEY XG PUMP CONTROLLER WITH MANUAL MOTOR PROTECTOR						
BY	DATE	MANUFACTURING TOLERANCES TO BE IN ACCORDANCE WITH ASCO PROCEDURE MP-1-003. FOR PLASTIC PARTS SEE MP-1-055		ASSEM. REF. NO.		COMPUTER GENERATED DRAWING
DRAWN BY	TEF	09/11/12				
CHECKED	PROPERTY OF ASCO POWER TECHNOLOGIES. USE PERMITTED FOR OUR WORK ONLY. ALL RIGHTS OF DESIGN OR INVENTION ARE RESERVED.					
PROJECT APPROVAL	SCALE 1:1 SIZE A					
FINAL APPROVAL	TEF	09/12/12	ASCO® ASCO POWER TECHNOLOGIES, L.P. FLORHAM PARK, NEW JERSEY 07932 U.S.A.		DWG. NO. WS550-109	
			DRAWING REV. -		ECN NO. 238858 SHEET 1 OF 1	