

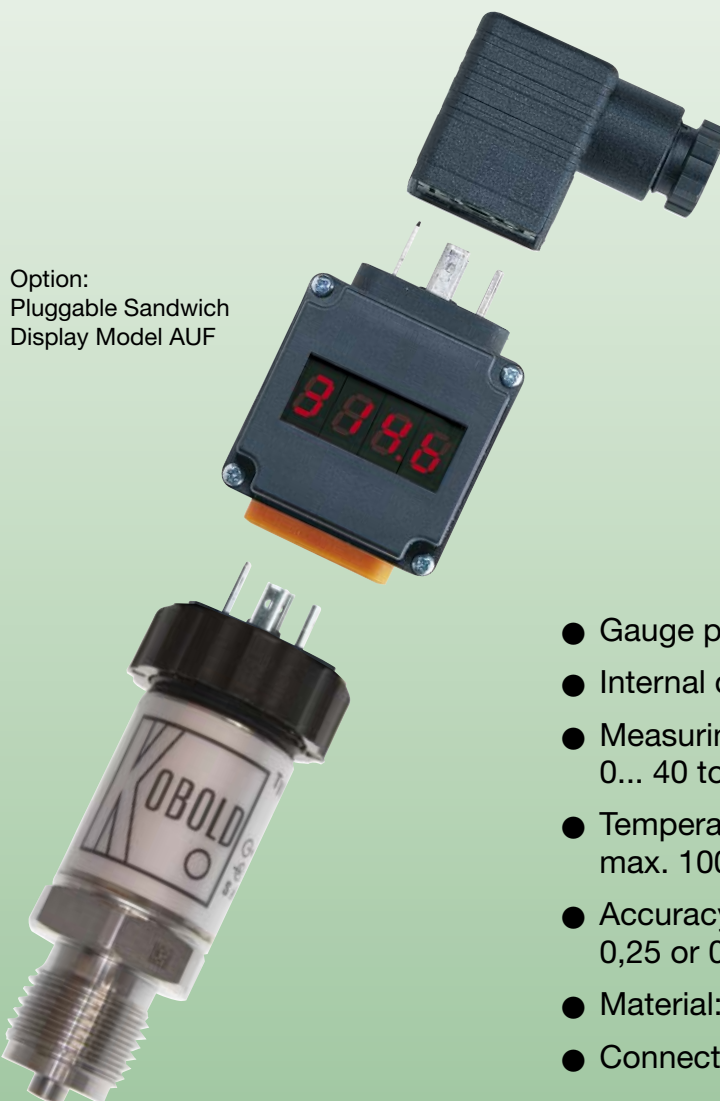


## Pressure Transducer Heavy Duty Industrial Thinfilm



measuring  
•  
monitoring  
•  
analysing

SEN-3376/3377



Option:  
Pluggable Sandwich  
Display Model AUF

- Gauge pressure
- Internal diaphragm
- Measuring range:  
0... 40 to 0 ... 1000 bar
- Temperature (medium):  
max. 100 °C
- Accuracy class:  
0,25 or 0,5
- Material: stainless steel
- Connection: G 1/2 male



KOBOLD companies worldwide:

ARGENTINA, AUSTRIA, BELGIUM, BULGARIA, CANADA, CHILE, CHINA, COLUMBIA, CZECHIA, DOMINICAN REPUBLIC, EGYPT, FRANCE, GERMANY, GREAT BRITAIN, HUNGARY, INDIA, INDONESIA, ITALY, MALAYSIA, MEXICO, NETHERLANDS, PERU, POLAND, ROMANIA, SINGAPORE, SOUTH KOREA, SPAIN, SWITZERLAND, TAIWAN, THAILAND, TUNISIA, USA, VIETNAM

KOBOLD Messring GmbH  
Nordring 22-24  
D-65719 Hofheim/Ts.  
Head Office:  
+49(0)6192 299-0  
+49(0)6192 23398  
info.de@kobold.com  
www.kobold.com

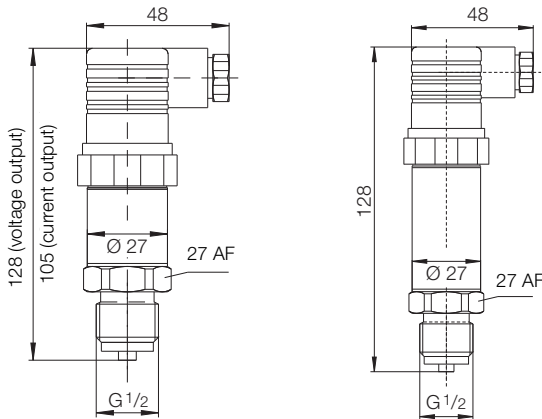
**Description**

The Heavy Duty Industrial pressure transducers are the leaders among the pressure transducers. The thin-film technology of the sensor element fulfil the most demanding requirements. Case and wetted parts are stainless steel. Therefore they are extremely resistant against aggressive process fluids. The sensor is unaffected by shock or vibration. Two adjustment potentiometers permits the use of these pressure transducers in most difficult applications like measurement of the hydrostatic column.

**Dimensions (in mm)**

SEN-3376...

SEN-3377...



**Applications**

- Plant construction
- Development and laboratory
- Process engineering
- Pneumatics
- Hydraulics

**Technical Data**

Version: internal diaphragm  
 Pressure type: gauge pressure  
 Housing: stainless steel 1.4301  
 Connection: G 1/2 male acc. to EN 837; G 1/4 male, 1/4 NPT and 1/2 NPT on request  
 Wetted parts: stainless steel 1.4571 and 1.4542  
 Sensor element: thinfilm  
 Max. Temperature: storage: -40...+100°C  
 medium: -30...+100°C  
 ambient: -20...+80°C  
 Pressure limitation: ≤ 600 bar: 2 x range,  
 > 600 bar: 1.5 x range, vacuum-tight  
 Accuracy class: 0.25 or 0.5  
 Repeatability: ≤ ± 0.05 % of full scale  
 Stability per year: ≤ ± 0.2 % of full scale (under reference conditions)  
 Electr. connection: plug acc. to DIN 43 650  
 Power supply: 10...30 V<sub>DC</sub>  
 (14...30 V<sub>DC</sub> for output 0 - 10 V)  
 Output: 4 - 20 mA (2-wire),  
 0 - 5 V<sub>DC</sub>, 0 - 10 V<sub>DC</sub>  
 Load (Ω): ≤ (U<sub>B</sub>-10 V)/0,02 A (for 4 - 20 mA)  
 > 5 kΩ for 0 - 5 V  
 > 10 kΩ for 0 - 10 V  
 Response time: ≤ 1 ms (within 10 - 90 % of full scale)  
 Adjustability: zero-point and span up to ± 5 %  
 Temp. comp. range: 0...+80°C  
 Temperature influence: on zero-point and span  
 ± 0,2 % / 10 K  
 Protection: IP 65

**Order Details Sensor (Example: SEN-3376 A105)**

Model	Output	Measuring range	Connection
SEN-3376... Accuracy class 0.50 %	without = 4 - 20 mA, 2-wire	A 105 = 0 ... 40 bar A 115 = 0 ... 60 bar A 125 = 0 ... 100 bar A 135 = 0 ... 160 bar A 145 = 0 ... 250 bar A 155 = 0 ... 400 bar A 165 = 0 ... 600 bar A 175 = 0 ... 1000 bar	without = plug Form A (DIN 43650) incl. junction box 3 = plug M12x1 (4-pin, IP67) 5 = 2 m cable, IP67
SEN-3377... Accuracy class 0.25 %	/1 = 0 ... 5 V <sub>DC</sub> /2 = 0 ... 10 V <sub>DC</sub>		