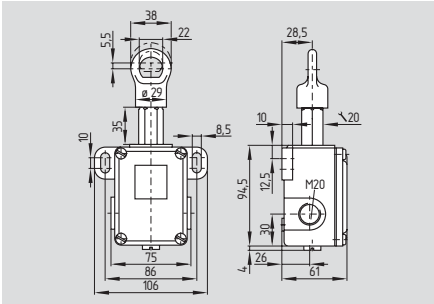


Pull-wire switches

TQ 441



- Metal enclosure
- 2 contacts
- 2 cable entries
- Wire up to 25 m long
- Reset by push button or key possible
- Available for various actuating forces

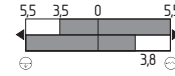
Technical data

Standards: IEC/EN 60947-5-1
 Enclosure: light-alloy diecast, paint finish
 Cover: steel, painted
 Protection class: IP 65
 key reset: IP 54 to EN 60529
 Contact material: silver
 Contact type: change-over contact, double break with 2 separate contact bridges, positive break NC contacts ⊖
 Switching system: slow action, positive break NC contacts ⊖
 Termination: screw terminal
 Cable section: max. 4 mm² (incl. conductor ferrules)
 U_{imp}: 4 kV
 U_i: 400 V
 I_{the}: 10 A
 I_e/U_e: 4 A / 380 V
 Utilisation category: AC-15
 Max. fuse rating: 25 A gL/gG D-fuse
 Ambient temperature: - 30 °C ... + 90 °C
 Mechanical life: 30000 operations
 Switching frequency: 3600/h

Contact variants

2 NC

Slow action



Approvals

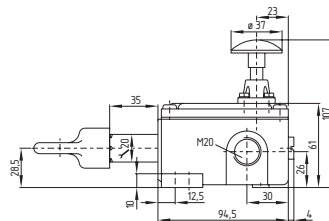


Ordering details

TQ 441-01/01 ①

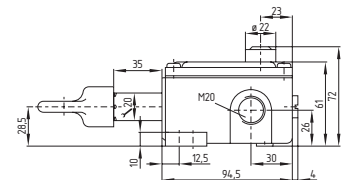
No.	Replace	Description
①	yü	Without latching, protection class IP 65
	yür	Push button reset, protection class IP 65
	xürs	Key reset, protection class IP 54

Note



Push button reset
 Ordering suffix r

Note



Reset by key
 Ordering suffix rs