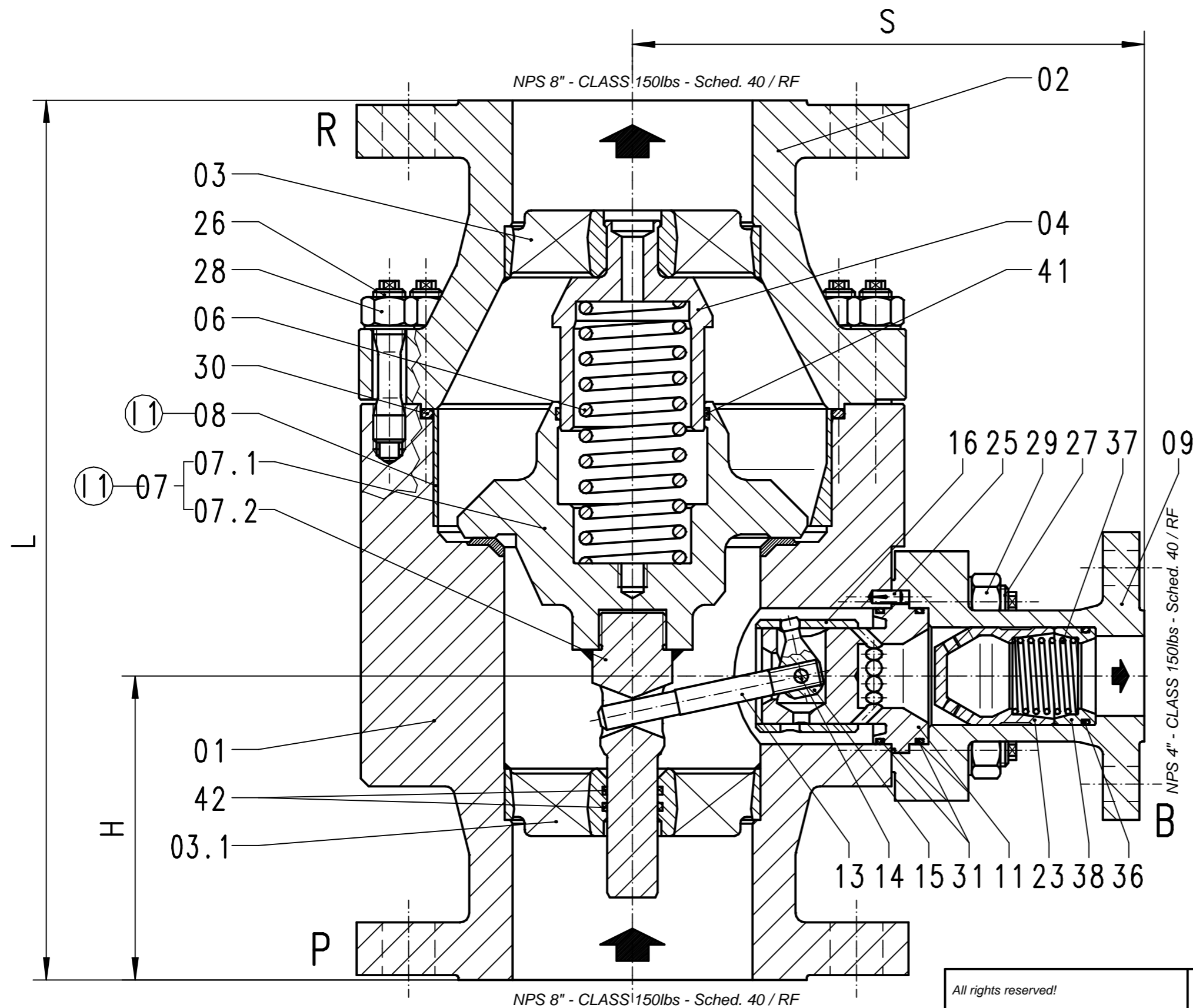


P = Pump End  
 R = Pipeline End  
 B = By-Pass End

Installation P-R:  
 Horizontal  
 L = 600.0 mm  
 S = 395.0 mm  
 H = 200.0 mm  
 Weight: 355.0 kg  
 RFQ-No.:  
 Preisanfrage IMP231303  
 Project:  
 TAG-No:



Subject to change without prior notice!

All rights reserved!	general tolerance ISO 2768 - m		scale	com-no. 3004508.1
			Materials	Quantity: 3.0
		Date	Name	<b>Pump Protection Valve TDL153UHWW-CS</b>
		Gepr.		
		Edited		
		SCHROEDAHL GmbH		4TDL153UHWW-CS-00
		D-51580 Reichshof-Mittelagger		
Zust	Change	Name	Date	B/ Fro m

I1 = technical layout after design layout

di.lapplus/pdf/TDL.Cg.pdf