

DESCRIPTION & SPEC - GLOBE VALVES

1/2"- 2" NPT, AT/AM (LINEAR ACTUATOR)

neptronic



For 3 Way control of hot water or chilled water, up to 50% Glycol & 15 PSI saturated steam.



Description

The **Linear** actuated **Globe Valves** provide digital or analog control in 3 Way applications, for water or low pressure steam service. Each unit is comprised of a linear actuator that is directly coupled to the valve. The linear actuator delivers a maximum of 100 pounds or 450 Newtons force at rated voltage. The direction of stroke is reversible. Valve sizing ranges from 1/2 inch to 2 inches with a maximum close-off pressure of 250 PSIG.

Valve specifications are for standard stock; data sheets for valves with different characteristics, such as 3 Way diverting, stainless steel seats and plugs or threaded or sweat fittings, are available upon request.

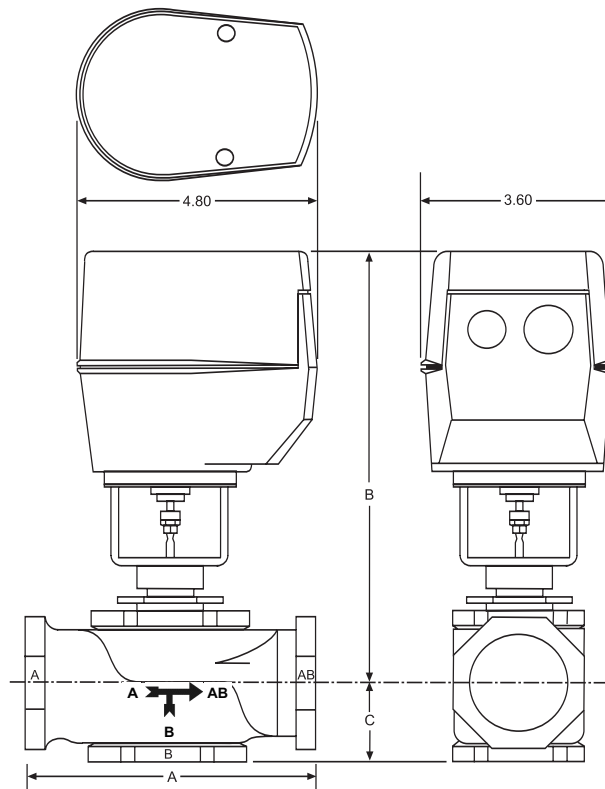
In low pressure **steam** applications, it is necessary to shield the actuator from heat generated by the valve. This is accomplished by an **adapter kit**, the DDSTM. The kit is available separately and factory installed.

Specifications

Valve Flow Type:	3 Way: Linear
Fluid Temperature:	Water: +40°F to +281°F (+4°C to +138°C) Steam: +230°F (+110°C) Maximum
Static Pressure:	Water: 250 PSIG Maximum
Inlet Pressure:	Steam: 15 PSIG Maximum
Max. Differential Pressure:	Water: 10 PSIG Recommended, (35 PSIG Maximum) Steam: 15 PSIG Maximum
Body & Seat:	Bronze ANSI B16.15 Class 250
Stem:	Stainless Steel
Plug:	Brass
Packing:	Spring Loaded Teflon Cone
End Connections:	NPT Female Standard



3 Way , 1/2" - 2" NPT with AT Actuators



SIZE	Cv	Kv	3 WAY VALVE MODELS	CLOSE OFF PSI	VALVE BODY DIMENSION		
					A	B	C
1/2"	2.2	1.9	GM A0022YB1	250	3.00	7.16	1.38
1/2"	4.4	3.8	GM A0044YB1	250	3.00	7.16	1.38
3/4"	7.5	6.4	GM B0075YB1	180	3.63	7.16	1.69
1"	14	12	GM C0140YB1	100	4.63	7.22	1.56
1-1/4"	20	17	GM D0200YB1	65	4.63	7.47	1.63
1-1/2"	28	24	GM E0280YB1	45	5.38	7.59	1.63
2"	41	35	GM F0410YB1	25	6.13	7.66	1.88

* All dimensions are in Inches.

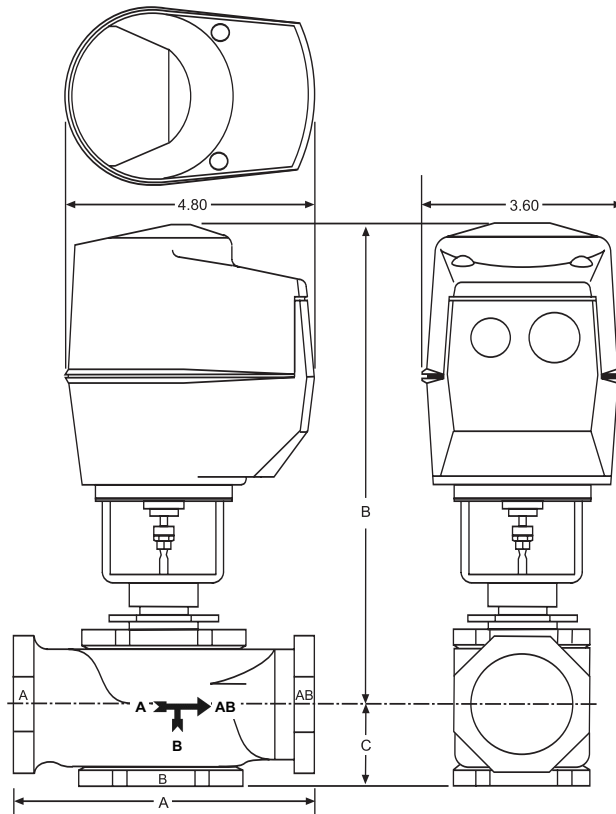
DIMENSIONS - GLOBE VALVES

1/2"- 2" NPT, AM ACTUATOR

neptronic



3 Way , 1/2" - 2" NPT with AM Actuators



SIZE	Cv	Kv	3 WAY VALVE MODELS	CLOSE OFF PSI	VALVE BODY DIMENSION		
					A	B	C
1/2"	2.2	1.9	GM A0022YB1	250	3.00	8.16	1.38
1/2"	4.4	3.8	GM A0044YB1	250	3.00	8.16	1.38
3/4"	7.5	6.4	GM B0075YB1	180	3.63	8.16	1.69
1"	14	12	GM C0140YB1	100	4.63	8.22	1.56
1-1/4"	20	17	GM D0200YB1	65	4.63	8.47	1.63
1-1/2"	28	24	GM E0280YB1	45	5.38	8.59	1.63
2"	41	35	GM F0410YB1	25	6.13	8.66	1.88

* All dimensions are in Inches.