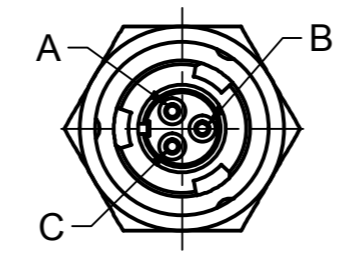
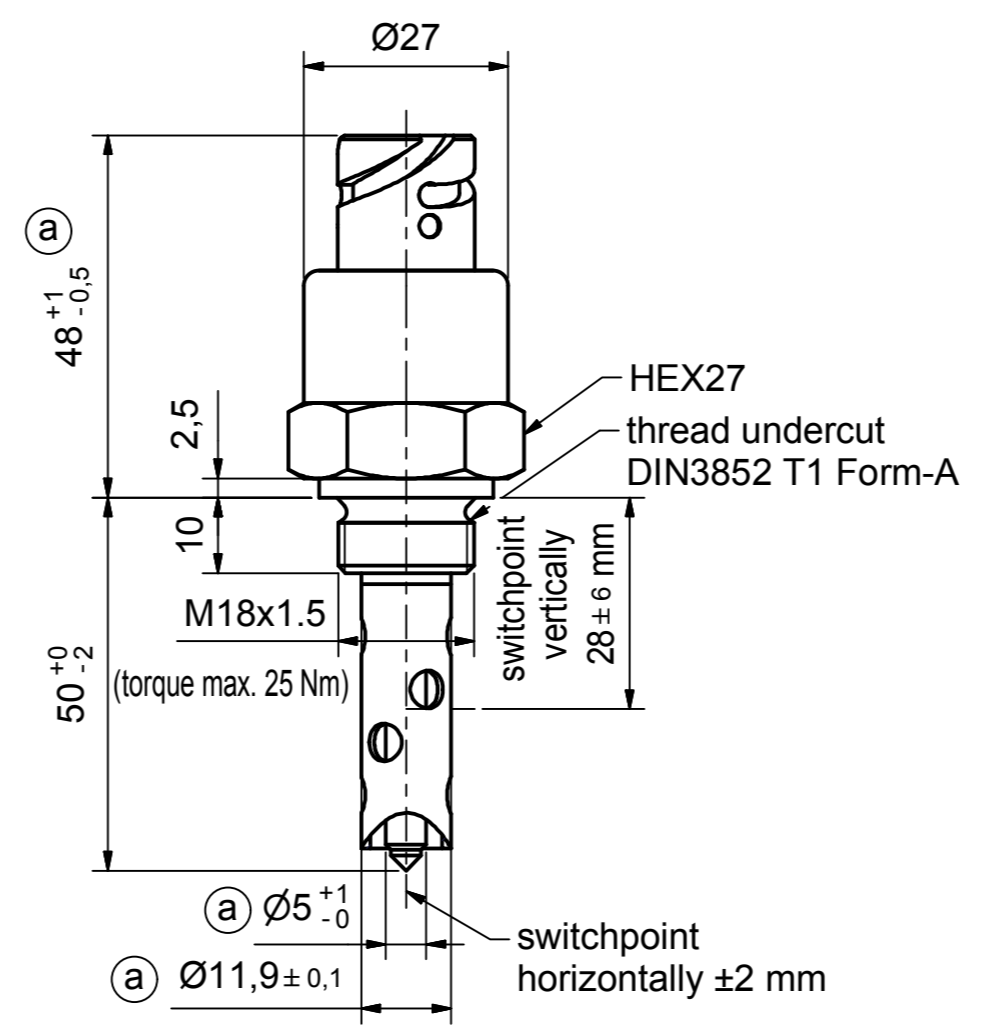


The copyright to this drawing belongs to us. No duplication or transfer to, providing access to or communicating to any third parties is allowed of its contents or excerpts thereof. This drawing may not be used without our approval for any purpose other than that for which it has been entrusted to the recipient. Any non-compliance shall obligate the violator to compensate for damages. In case any patent is issued or a utility model is registered, or in case of any other industrial property rights, all such rights must be reserved for us.

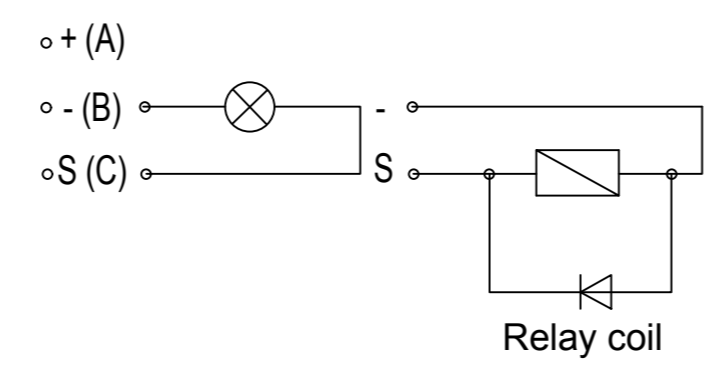
BEDIA Motorentechnik GmbH & Co.KG,  
Altdorf bei Nürnberg

Das Urheberrecht an dieser Zeichnung gehört uns. Vervielfältigung, Überlassung, Zugänglichkeit oder Mitteilung des Inhalts, auch auszugsweise, an Dritte ist nicht gestattet. Die Zeichnung darf ohne unsere Zustimmung, zu einem anderen Zweck als sie dem Empfänger anvertraut wird, nicht benutzt werden. Zuwiderhandlung verpflichtet zu Schadenersatz. Alle Rechte, für den Fall einer Patenterteilung, Gebrauchsmusterertrag oder anderer Schutzrechte, sind uns vorbehalten.

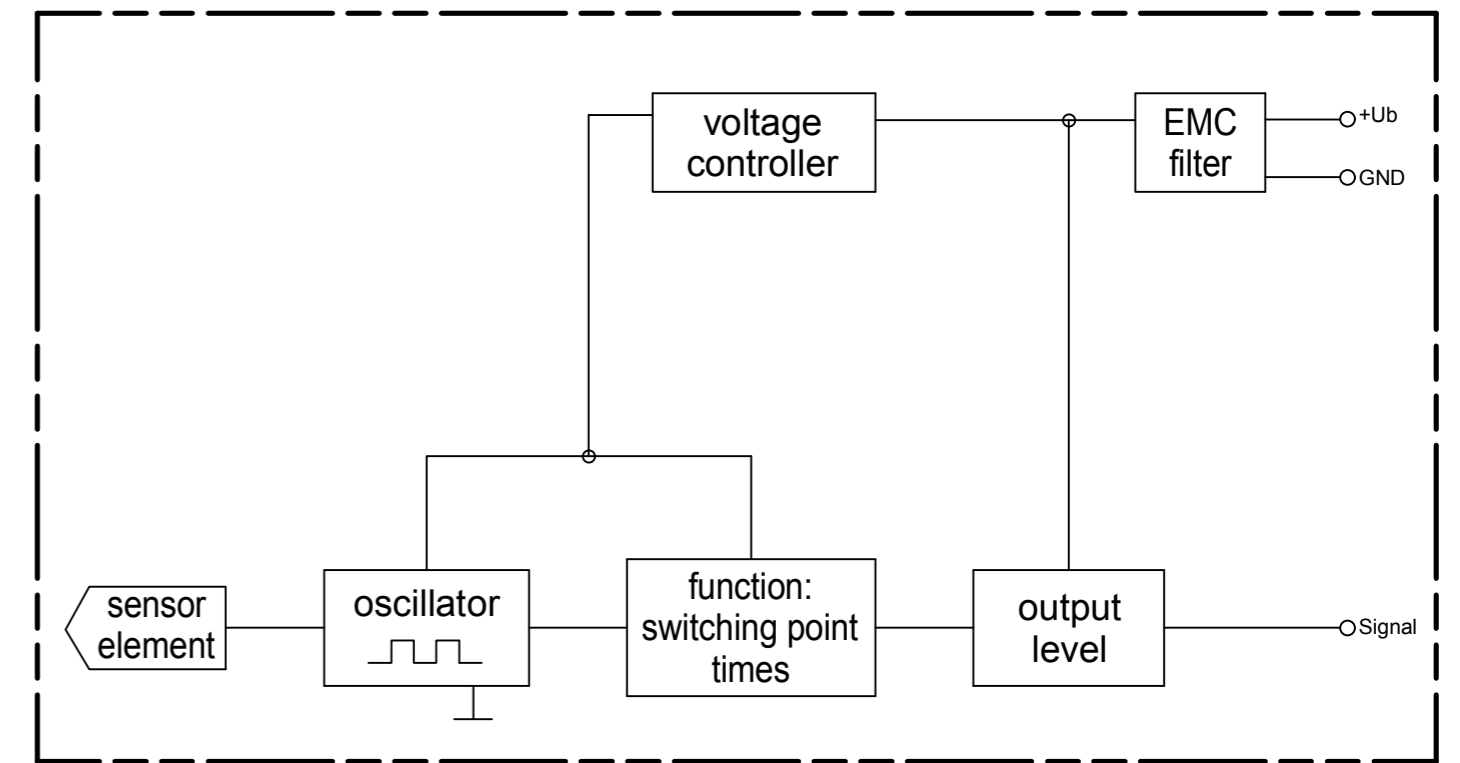
1	2	3	4	5	6	7	8	9	10	11
<b>Technical data</b>										
Medium	oil									
Function	maximum - operating current (oc)									
Operating voltage	12 / 24 V (-25% / +50%) (9 - 36 VDC)									
Current consumption	< 8 mA									
Output	high side switch									
	≤ 1 A over the whole temperature range									
	short-circuit and overload protected over the ambient temperature range. At inductive loads freewheeling diode e.g. 1N4007, has to be mounted at the load.									
Mounting thread	M18x1,5									
Function control	0 seconds ±5%									
Fault indication delay	7 seconds ±5%									
Connection	connector bayonet 10SL									
Housing material	X5CrNi18 10									
	EN 10088-3:1.4301									
Probe coating	capacitive connected to ground									
Probe protection	Tefzel® ETFE									
Weight	IP 67 to DIN40050 with mounted mating connector									
Marking	approx. 105 g									
	manufacturer; type; manufacturer no.;									
	SN; year / week; approvals									
Switch point hysteresis	< 3 mm									
Reference medium	paraffin oil, $\epsilon_r = 2,0..2,4$ , for switchpoint adjustment									
Medium temperature	-40°C to +150°C (-40°F to +302°F)									
Ambient temperature	-40°C to +125°C (-40°F to +257°F)									
Storage temperature	-50°C to +125°C (-58°F to +257°F)									
Mounting position	optional									
Reverse polarity protection	inbuilt between positive and negative terminal									
<b>Caution !!</b>										
Do not connect positive potential to signal terminal of the sensor and negative potential to positive terminal of the sensor.										
Approvals	ABS, BV, CCS, DNV, GL, KR, LR, NKK, RINA, RMRS									
Customs tariff number	90261029									
<b>Environmental simulations</b>										
Vibration	ISO 16750-3:2007 10 Hz - 2000 Hz 20 g									
Free Fall	IEC 16750									
Mechanical Shock	DIN EN 60068-2-27:1995; 100 g / 11 ms									
Dry Cold	DIN EN 60068-2-1:2006; -40°C / 24 h (-40°F / 24 h)									
Dry Heat	DIN EN 60068-2-2:2008; +125°C / 96 h (+257°F / 96 h)									
Temperature cycling	DIN EN 60068-2-14:2000									
Damp Heat	DIN EN 60068-2-78:2002									
Damp Heat, steady state	DIN EN 60068-2-30:2006									
Salt spray	DIN EN 60068-2-52:1996									
Flame retardant	DIN 75 200									
Pressure resistance	2,5 MPa (25 bar / 362,6 psi) (25°C / 77°F / 1 h)									
<b>EMC</b>										
Conducted emission from the power port	CISPR 16	10 kHz - 30 MHz								
Electric field radiated emissions	CISPR 16	150 kHz - 2 GHz								
RF electromagnetic fields	EN 61000-4-3	1 MHz - 2 GHz; 100 V / m								
Conducted interference	EN 61000-4-6	150 kHz - 80 MHz; 10 V								
Conducted interference	IEC 60533	50 Hz - 10 kHz; 3 V / 0,5 V								
ESD	EN 61000-4-2	±8 kV Contact / Air discharge								
Burst	EN 61000-4-4	±2 kV DC power port / signal lines								
Surge	EN 61000-4-5	±1 kV line <-> ground								
		±0,5 kV line <-> line								
High voltage	IEC 60092-504	550 V								
Power supply variations and interruptions	EN 61000-4-11	Ub +50% / -25%								



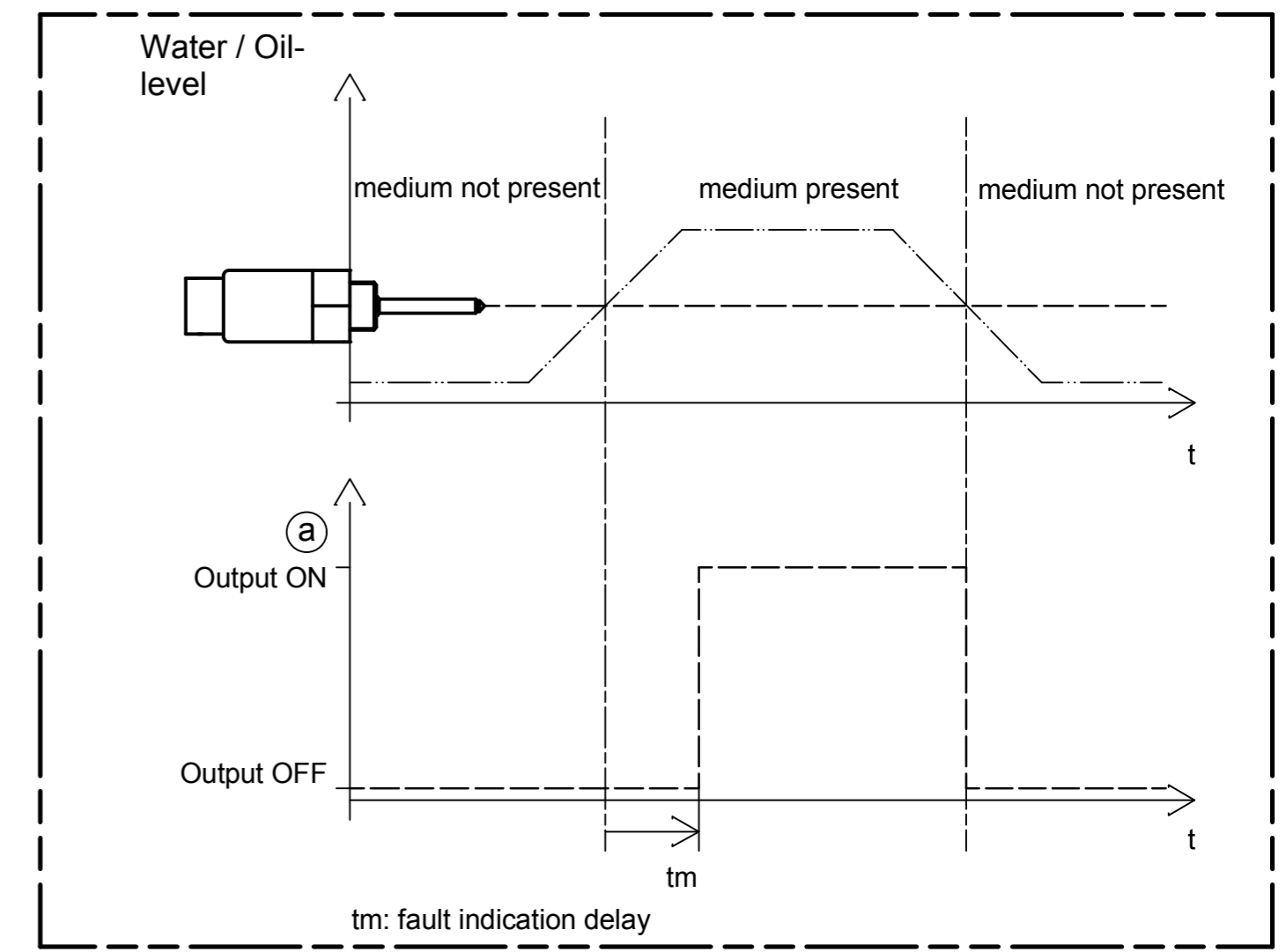
A = positive (+)  
B = negative (-)  
C = signal (S)



Block diagram



Functional diagram for MAXIMUM Probes



Zul. Abweichung / admissible tolerance		Oberfläche / surface		Maßstab / scale	1:1	Sprache / language	ENU	Blatt / sheet	1 / 1
ISO2768-mK		-		-					
Erstellt / created by		Datum / date		Name / name					
18.02.2010		Möderer		Benennung / description					
Geprüft / checked by		26.02.2010		Saß					
Format / Size		A2		Maßeinheit / dimension unit in [mm]					
a revised		05.03.14		Möderer/Saß					
Zust. / rev.		Änderung/modification		Datum/date		Name/Geprüft checked by		Zng. Art/ drw.type	
						500100		DRW	

**CLS-50 oil level sensor**  
high side switch - operating current  
with connector bayonet 10SL

Zeichnungsnummer / drawing number  
**500100**