

Author: G. REZOHIER

Date of the revision 2020-11-12: Documentary update (test + label)

RANGE: Backward curved centrifugal fans with single phase asynchronous motor

OEP	Test	LE37Lh	Customer	ECODIST
	Winding	G30	Reference	
Drawing of the product	BIS_U24-A2 p - 0-00.pdf		Designation	2RRE15 192x40R



ELECTRICAL DATA

Speed	SGV	SGV
Tension (V)	230	230
Frequency (Hz)	50	60
Current (A)	0.27	0.31
Maximum current (A)	0.32	0.36
Power (W)	59	70
Maximum power (W)	64	77
Rotation (RPM)	2510	2825
Cos Φ	0.950	0.982
Temperature min/max (°C)	-20/+70	-20/+70
Capacitor (μ F)	2.00	2.00
U_condo (V)	400	400
Comments	free airflow	free airflow

Winding temperature cold (Temperature at 20°C, tolerances 7%)

PP	PA
157.0 Ohm	186.0 Ohm

Temperature variation ()

F (Hz)	Average elevation (°K)	Speed
50 Hz	65 °K	SGV
60 Hz	47 °K	SGV

Dielectric strength 1500 VAC 60 seconds

Direction of rotation CW

MARKING & STANDARDS

Conformity

- CE



The product is manufactured in accordance with EN 60335-1, and RoHS directive 2015/863/CE
IP class according to EN 60034-5 to be checked with operation and installation

Réf. EV EC 025 - Revision b

Issued: 2020-11-12 at 13:19 Documentations and pictures are non contractual, all the data of the technical file and the drawing are subject to change.

EN - Page 1 / 4

Author: G. REZOHIER

Date of the revision 2020-11-12: Documentary update (test + label)

TECHNICAL DATA

Description

- Weight: 1.30 kg
- With Condensat Drain Holes
- Class F
- Protection level: 44 | Protection against ingress of solid with diameter ≥ 1 mm / Protection against ingress of water : splashing
- Motor's protection T150° C Automatic reset
- Bearing type: 2 ball bearings 608ZZ
- Balance level: G2.5

Special features

- any

Limiting conditions of operation

- any

ADDITIONAL DATA

Documentations

- Operating and recycling manual
<http://www.ecofit.com/anglais/normes>

Measurement setup

- Ouie 16290-0 Ouie pour 192 e-wheel

*The product is manufactured in accordance with EN 60335-1, and RoHS directive 2015/863/CE
IP class according to EN 60034-5 to be checked with operation and installation*

Réf. EV EC 025 - Revision b

Issued: 2020-11-12 at 13:19 Documentations and pictures are non contractual, all the data of the technical file and the drawing are subject to change.

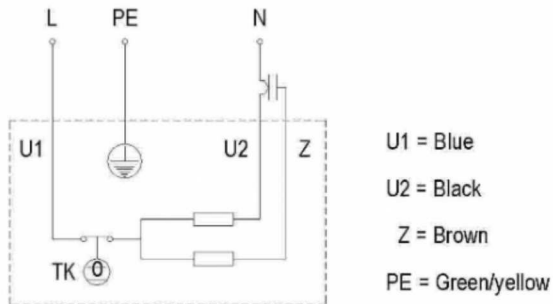
EN - Page 2 / 4

Author: G. REZOHIER

Date of the revision 2020-11-12: Documentary update (test + label)

CONNECTORS

Wiring diagram

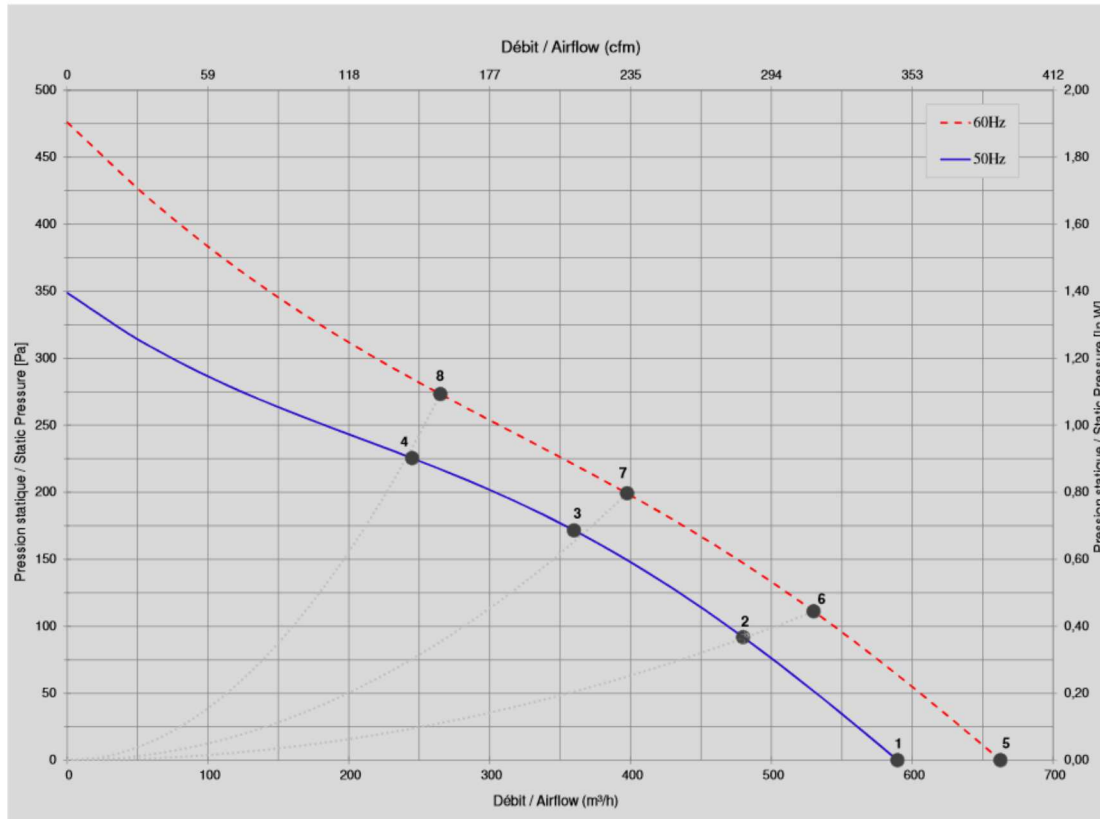


ERP DATA

ErP Directive ErP (EU 2009/125/EC) not applicable:

- Power at optimum energy efficiency point <125W

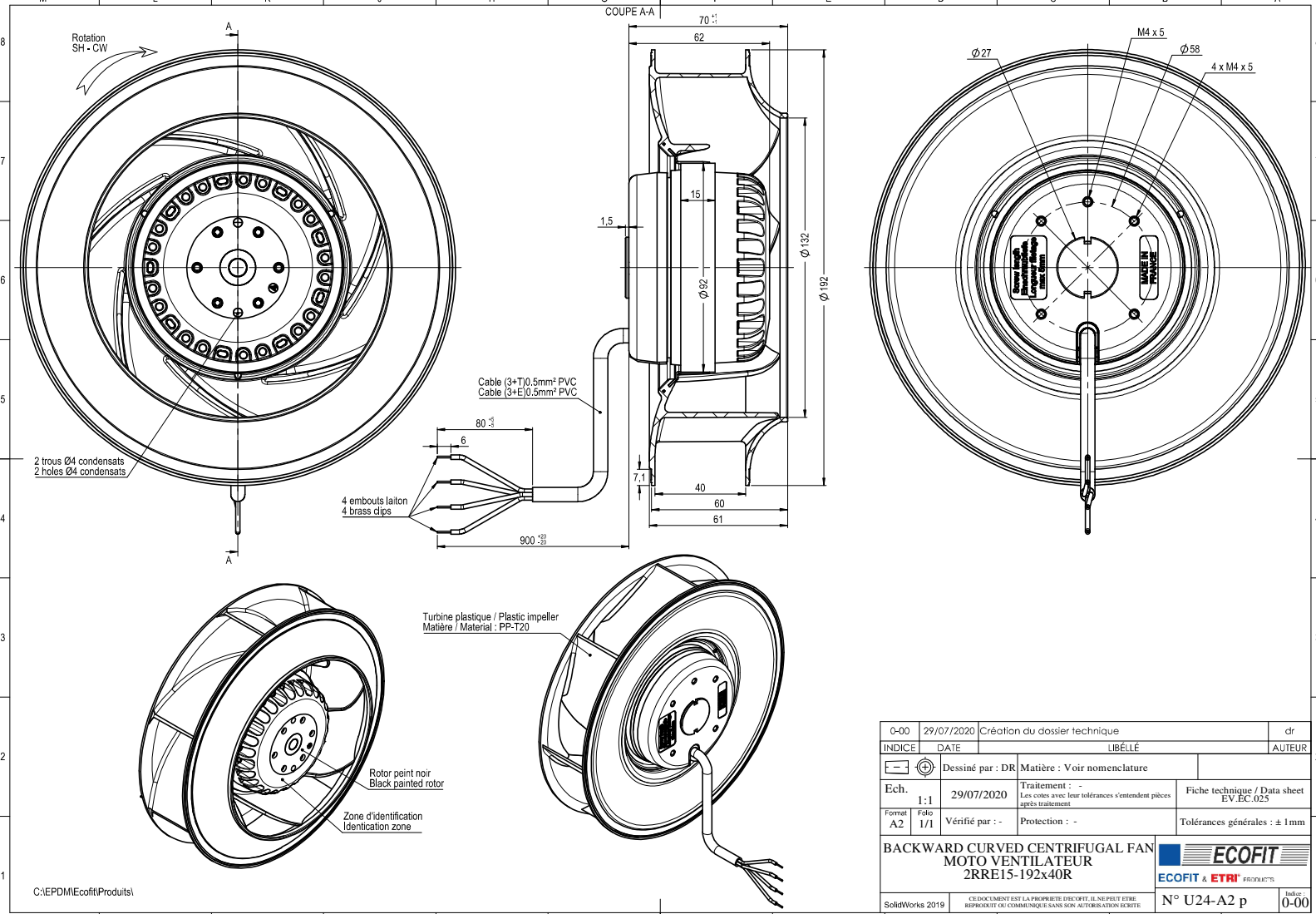
TECHNICAL DATA



Mesures / Measured Values *

	Un (V)	F (Hz)	C (µF)	P (W)	n (RPM)	Q (m³/h)	P (Pa)	Q (cfm)	P (In.W)	Lp _{in} (dBA)
1	230	50	2	59	2515	590	0	347	0,000	62,0
2	230	50	2	62	2429	480	92	283	0,368	58,0
3	230	50	2	64	2377	360	172	212	0,687	54,0
4	230	50	2	63	2410	245	225	144	0,903	55,0
5	230	60	2	70	2825	663	0	390	0,000	64,0
6	230	60	2	74	2686	530	111	312	0,445	60,0
7	230	60	2	77	2587	398	199	234	0,798	56,0
8	230	60	2	75	2645	265	273	156	1,095	58,0

* Air performance measured according to: ISO 5801, installation category C.
Intake-side sound level: according to ISO 3744, LpA measured at 1 m distance from fan axis. The values given are only applicable under the specified measuring conditions and may differ depending on the installation conditions. In the event of deviation



0-00	29/07/2020	Création du dossier technique		dr
INDICE	DATE	LIBELLÉ		AUTEUR
		Dessiné par : DR	Matière : Voir nomenclature	
Ech.	1:1	29/07/2020	Traitement : - Les cotes avec leur tolérances s'entendent pièces après traitement.	Fiche technique / Data sheet EV.EC.025
Format A2	Folio 1/1	Vérifié par : -	Protection : -	Tolérances générales : ± 1mm
BACKWARD CURVED CENTRIFUGAL FAN MOTO VENTILATEUR 2RRE15-192x40R			 ECOFIT & ETRIF PRODUCTS	
SolidWorks 2019	CE DOCUMENT EST LA PROPRIÉTÉ D'ECOFIT, IL NE PEUT ÊTRE REPRODUIT OU COMMUNIQUÉ SANS SON AUTORISATION ÉCRITE.			N° U24-A2 p
				Indice 0-00

C:\EPDM\IEcofit\Produits\