

Accumulator Charging Valve NG 6 ISO 4401 Technical Data Sheet



Technical Data

General

Type of valve	piloted piston valve
Mounting	4x M5x60 DIN912
Connection of ports	mounting plate
Ambient temperature	-5 to +50 °C
Mounting positions	mountable in any positions
Mass valve	2.0 kg

Hydraulic

Pressure stages	20-60; 45-80; 80-120; 120-175; 175-250; 250-315 bar
Switching hysteresis	5; 10; 15 or 20 %
Hydraulic oil temperature	-10 to +70 °C
Viscosity range	10 to 300 mm ² /s
Flow rate	max. 30 l/min

Design and Function

Accumulator charging valves are piloted piston valves. The valve controls the hydraulic accumulator charging process, for systems with fixed displacement pumps. After the accumulator has been charged and system pressure is reached, the valve then switches the pump flow into bypass mode (P to T). When the pressure falls because functions are demanding flow, the valve will sense the difference and will close the bypass to allow the accumulator to recharge. Pressure differences available include: 5%, 10%, 15% and 20%.

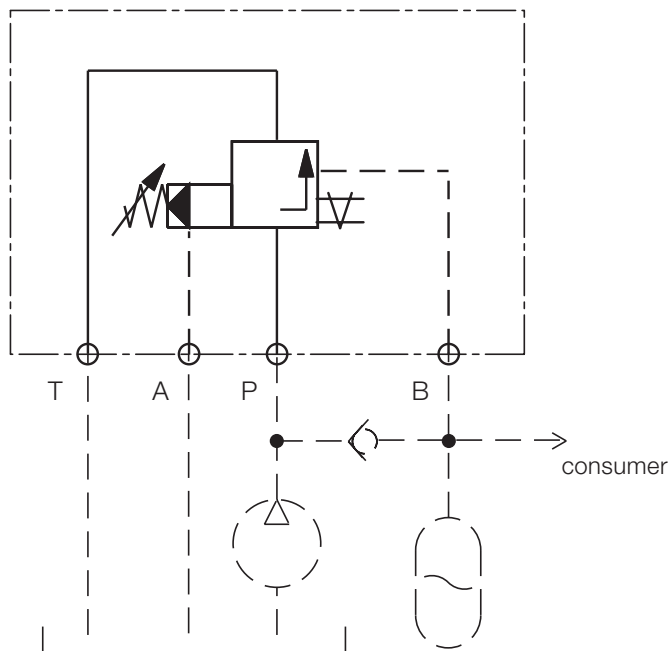
Advantages

- optimised power consumption and reduced heat emission from the hydraulic system
- energy saving due to low bypass pressure
- fixed switching hysteresis, simple start up procedure
- soft and exact switching over due to pressure pre-relieve
- robust und reliable through simple design

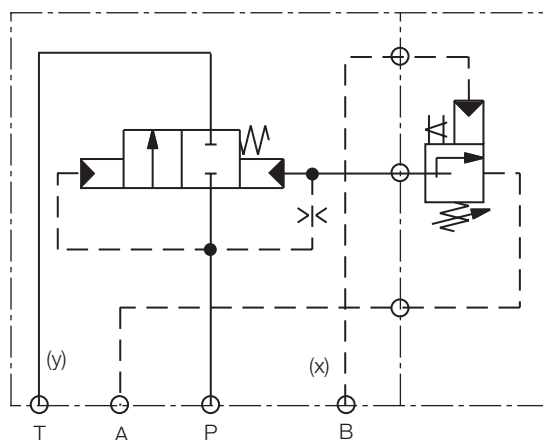
Options

- electrical discharge
- complete accumulator charging units
- accumulator charging valve kit for manifold mounting

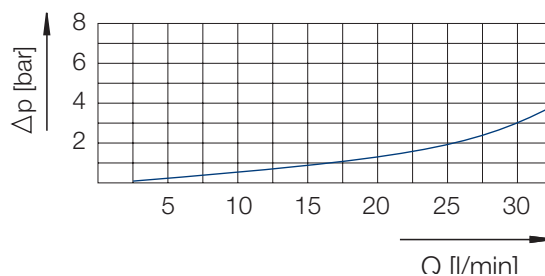
Symbol



Symbol, detailed

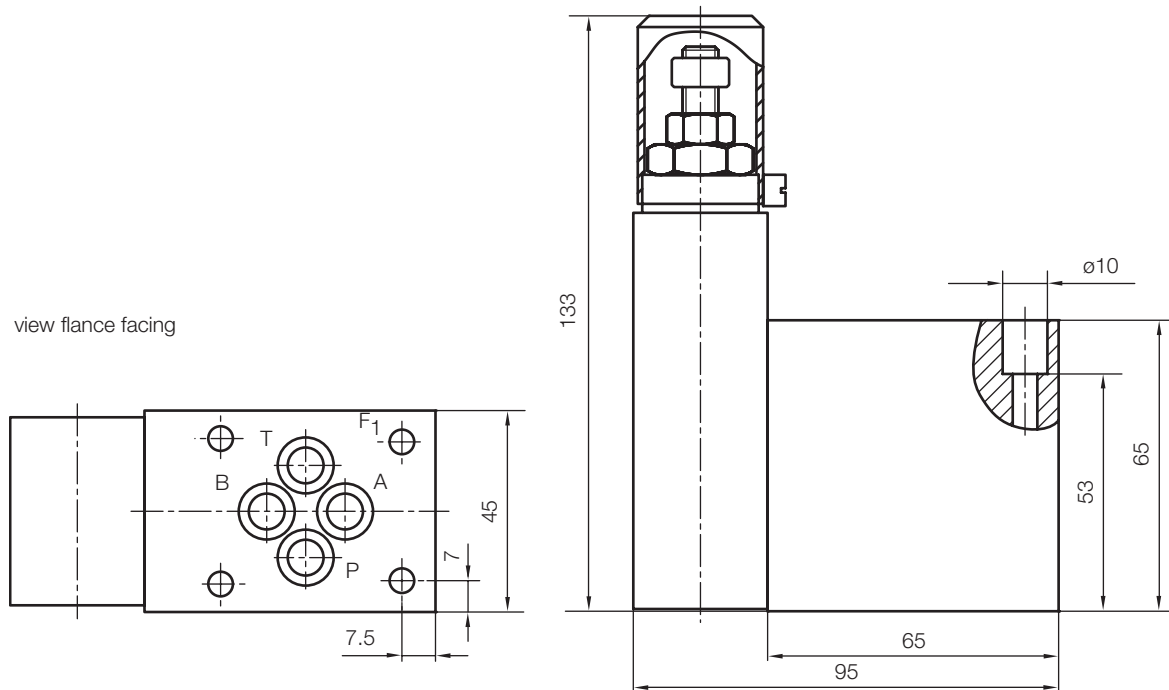


Characterstic curve

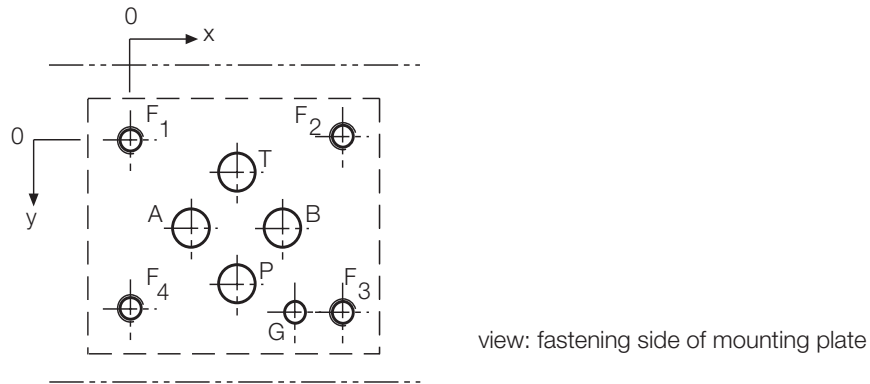


hydraulic oil 35 mm²/s, 50°C

Dimensional Drawing



Port Connection Pattern



	P	A	T	B	F1	F2	F3	F4	G
Ø max [mm]	7.5	7.5	7.5	7.5	-	-	-	-	4
x [mm]	21.5	12.7	21.5	30.2	0	40.5	40.5	0	33
y [mm]	25.9	15.5	5.1	15.5	0	-0,75	31.75	31	31.75

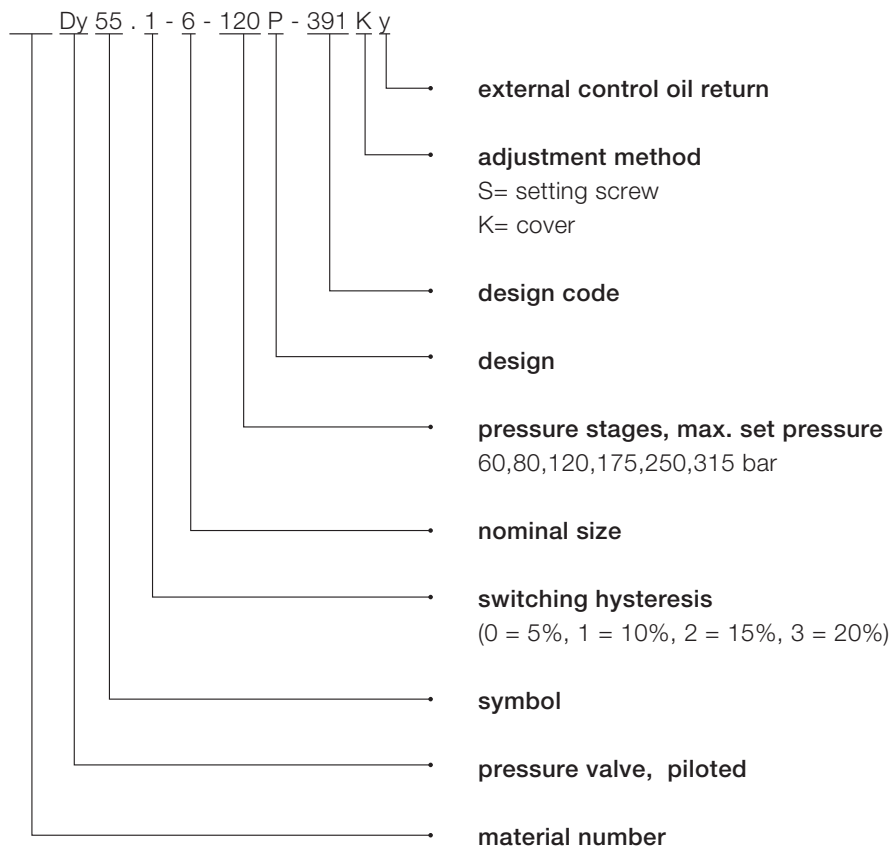
F: M5, thread depth min. 1,5 x Ø

G: bore depth min. 1,5 x Ø

Various single or multiple manifolds are available.

dimensions in mm

Type Code



Original-Sprache: deutsch.

Rechtlich bindende Sprachversion: deutsch.

Voith Turbo H+L Hydraulic GmbH & Co. KG
Schuckertstraße 15
71277 Rutesheim, Germany
Tel. +49 7152 992 3
Fax +49 7152 992 400
sales-rut@voith.com
www.voith.de/hydraulik-systeme



VOITH
Engineered Reliability