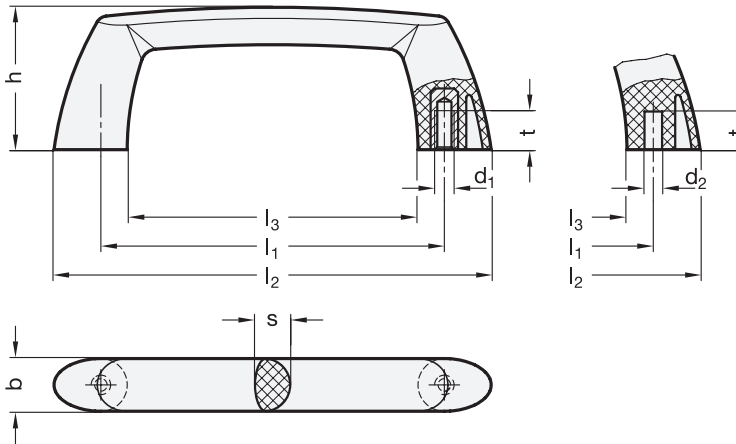




ELESA Original design M.943



1 $l_1 \pm 0,5$	2 d_1 Thread	2 d_2 Bore B	b	h	l_2	l_3	s	t min.
88	M 5	B 4,5	13,5	36,5	112	74,5	9	10
120	M 5	B 4,5	15	42	144	106,5	11	10

Specification

- Plastic
Technopolymer (Polyamide PA)
- glass fibre reinforced
- temperature resistant up to 130 °C
- black, matt
- Bush
Brass
- *Plastic-characteristics* → Page xx
- *Strength properties* → Page xx
- **RoHS compliant**

Information

The dimensions of the GN 627 cabinet “U” handles match 19“ inserts.
GN 627 cabinet “U” handles have been designed for fixing with sheet-metal screws with thread size ST 4.8, such as DIN ISO 7049 fillister-head screws. The maximum recommended tightening torque is 5 Nm.

How to order GN627-88-M5	1 l_1
	2 d_1 (d_2)