

**GENERAL CHARACTERISTICS**

Mechanical Level Switch for liquids with magnetic triggering of an adjustable reed switch.

- \* high switch capability
- \* wall mounting
- \* reliable
- \* good repeatability

Male thread G3/4A brass/stainless steel



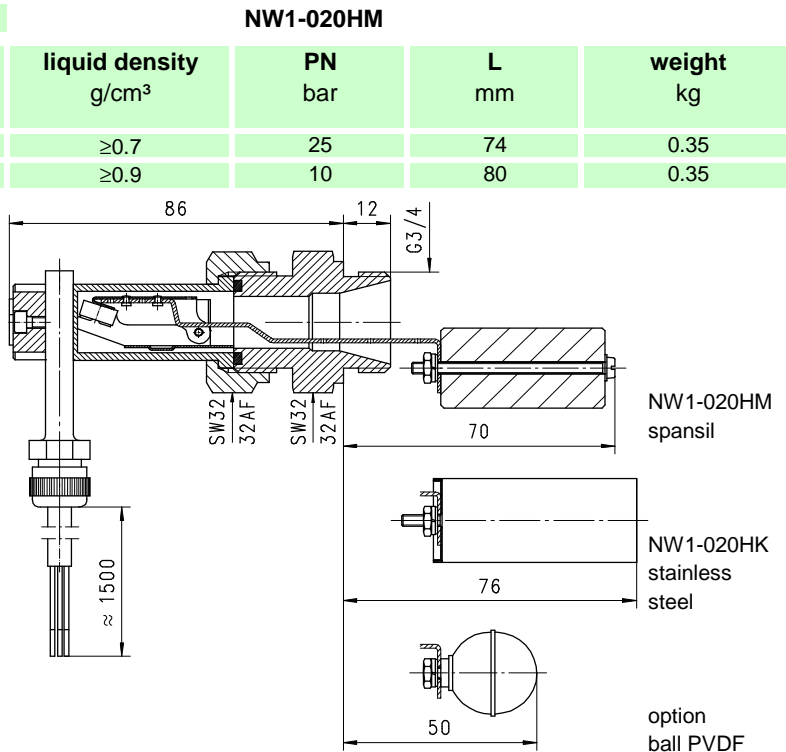
**TECHNICAL DATA**

	G	Type	liquid density g/cm <sup>3</sup>	PN bar	L mm	weight kg
brass	G 3/4 A	NW1-020HM	≥0.7	25	74	0.35
stainless steel	G 3/4 A	NW1-020HK	≥0.9	10	80	0.35

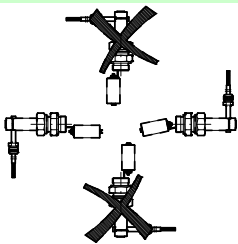
media temperature max. 110°C

**MATERIALS**

	NW1-020HM	NW1-020HK
housing	Ms58	stainless steel 1.4305
socket	Ms58	stainless steel 1.4571
wetted parts	stainless steel 1.4310 ; 1.4571	stainless steel 1.4310 ; 1.4571
float	spansil	stainless steel 1.4571
magnet	oxyd 300	oxyd 300
seal	NBR	viton



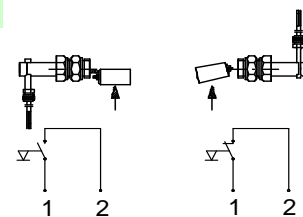
**INSTALLATION POSITION**



Installation position may influence operation!

**ELECTRICAL DATA**

reed switch  
wiring 0.225 n.c. or n.o. depending  
on installation position  
230 V AC 1 A 50 VA  
cable 1.5m  
protection class IP 65



**METERING SUBSTANCES**



water



oil

design stainless steel  
NW1-020HK  
for aggressive liquids

**NOMENCLATURE**

MW1-	020	H	M		Beispiel Beschreibung
		H			● socket thread G3/4A
			M		● brass design
			K		● stainless steel design
Programme option				A	○  switch ATEX (product information 92.1.U1)
BASIC					
Special option					□ special cable length
VARIO					float ball PVDF

All technical changes reserved

●BASIC Standard ○BASIC Programme option □VARIO Special option ⊕ PLUS Accessories ✗ not recommendable