

SP - SM limit switch box series

Compact limit switch box, designed not only for the industrial market, but for indoor applications in hazardous areas.

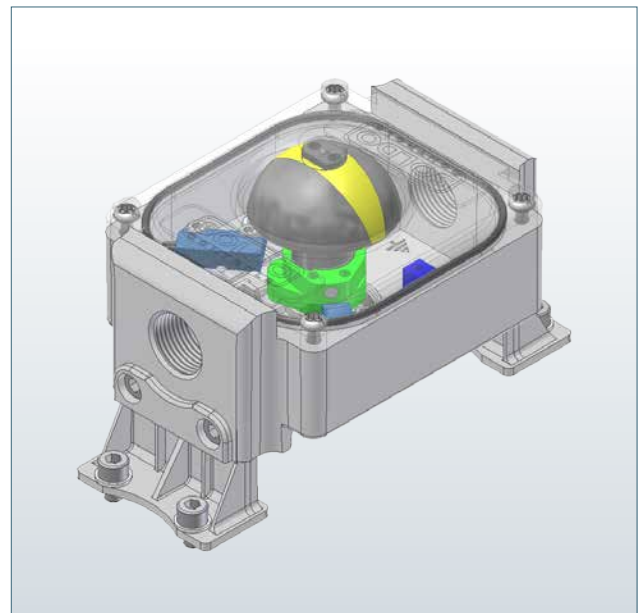
Available in either glass reinforced resin or nickel plated aluminum, with flat lid or 3D indicator.

The SP is a corrosion resistant device, able to satisfy the needings in water treatment and desalination plants, both SP and SM, can also match the Ex ia IIC T6 standards with the integral intrinsically safe certification, covering enclosure and electrical components inside.

With these devices, we are providing a ready to mount solution, thanks to the integrated Namur mounting kit.

Features

- Glass reinforced resin enclosure with transparent polycarbonate lid, ensuring a device totally unaffected by corrosion, in salty and humid atmosphere.
- One cable entry as standard, for the SP series, and two cable entries, for the SM, either metrics or imperial.
- Enhanced strength on the composite enclosure, with a thick molding and durable threaded cable entries.
- Easy wiring through the terminal PCB board
- NOVA V3™ switch option ensures extreme durability and high power switching capabilities
- ASI communication protocol board
- Integrated mounting kit for Namur actuators



Product Specification

Technical Data:

Materials

- Glass reinforced resin body with transparent polycarbonate cover (SP series)
- Nickel plated aluminum body with transparent polycarbonate cover (SM series)
- Stainless steel fasteners

Approvals

ATEX, EAC

Ex II 2GD Ex ia IIC T4/T5/T6
Ex ia IIIB T44°C.....T108°C Db IP6*
Ta: -15 °C ≤ Ta ≤ 80 °C

SIL certificate:

Up to SIL 2 certified by TÜV

Protection rating:

IP 65

Cable entries options:

One cable entry M20 or 1/2" NPT (SP standard)
Two cable entry M20 or 1/2" NPT (SM)T

Temperature:

-15 °C +80 °C as standard temperature range
(depending on switch selection)

Soldo switch and sensors options:

NOVA V3™ N1

- Proximity hermetically sealed snap acting SPDT switch
- High power loop: rating up to 5A @ 250 VAC - 5A @ 28 VDC
- Temperature range -50 °C , +95 °C



NOVA V3™ N3 (usable for Exia protection)

- Proximity hermetically sealed snap acting SPDT switch
- rating up to 1A @ 250VAC - 1A @ 30 VDC (Exia rating max: 0,1A @ 30 VDC)
- Temperature range -50 °C , +95 °C



NOVA V3™ N4

- Proximity hermetically sealed snap acting DPDT switch
- High power loop: rating up to 5A @ 250 VAC - 5A @ 28 VDC
- Temperature range -50 °C , +95 °C



REED C4 (usable for Exia protection)

- Proximity hermetically sealed reed SPDT switch
- Inert gas contact chamber
- Rating up to 1A @ 24 VDC (Exia rating max: 0,1A @ 30 VDC)
- Temperature range -60 °C , +100 °C



More options available on request.



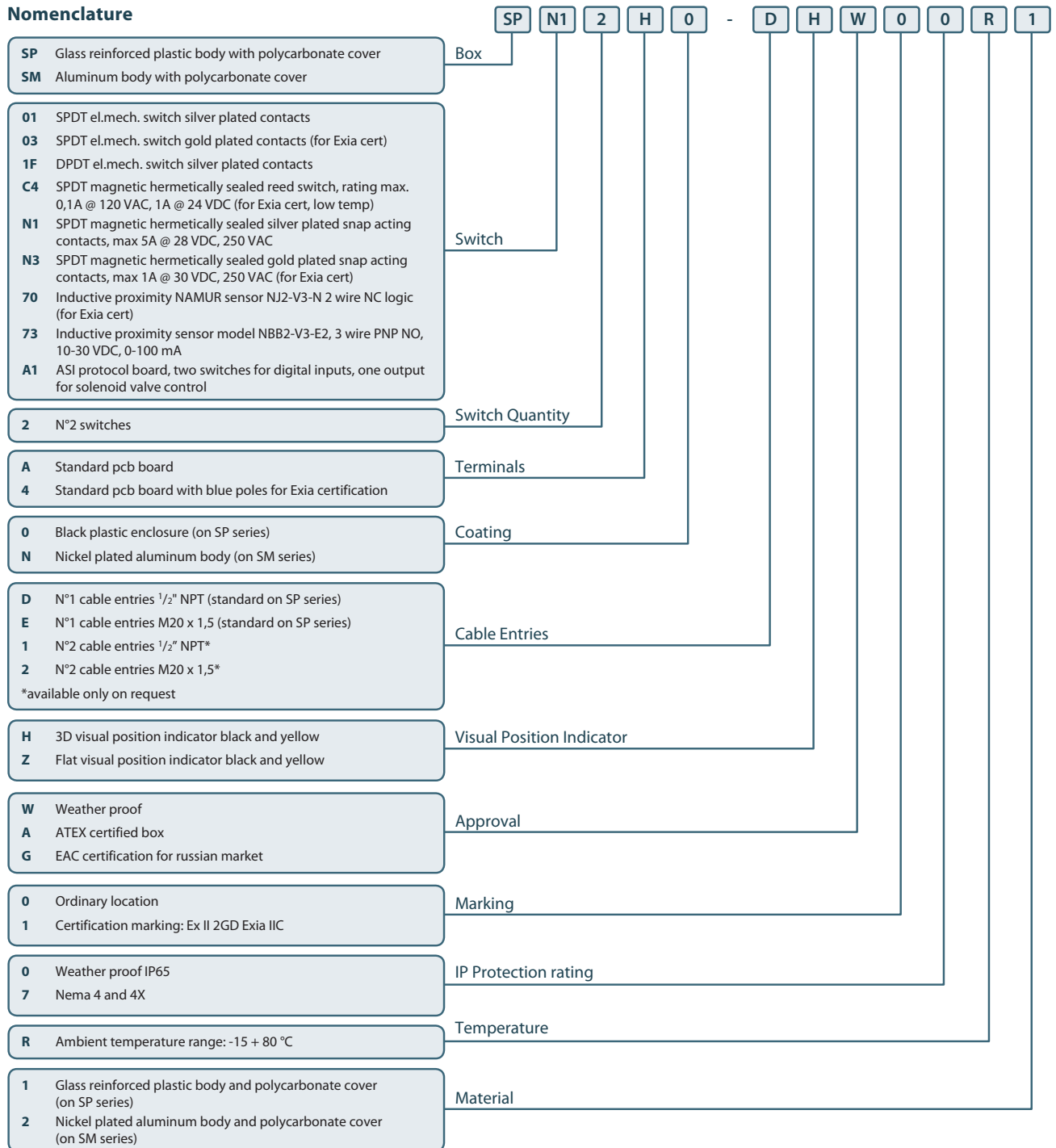
SP with flat visual position indicator



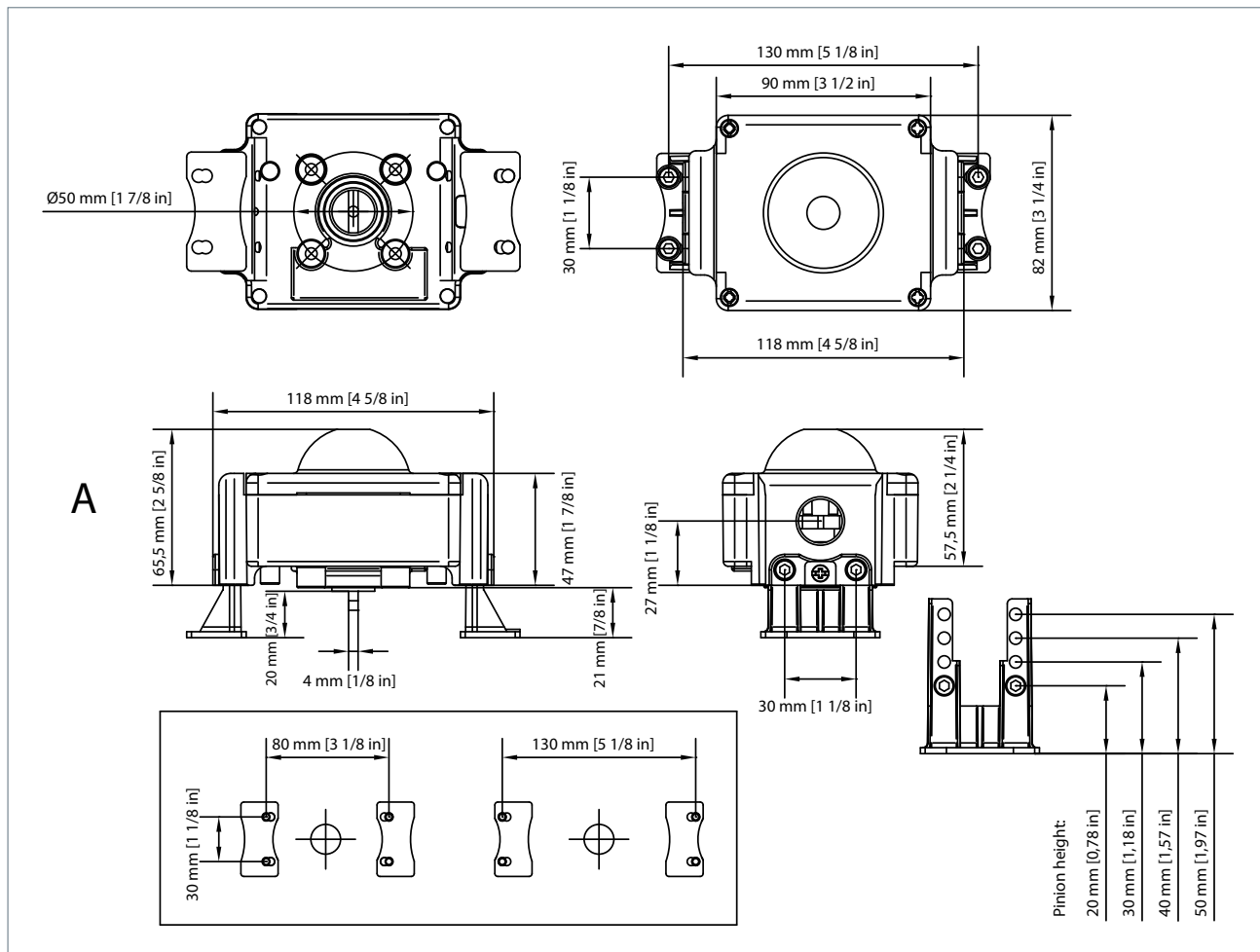
SP with 3D visual position indicator

Product Ordering Matrix

Nomenclature



Dimensional Data



www.soldo.net

Europe

Soldo SRL
60, Via Monte Baldo 25015
Desenzano Del Garda
Brescia, Italy

Tel: +39 030 9991309
Fax: +39 030 91419779
Email: sales@soldo.net

USA

Soldo USA LLC
3920 Westpoint Blvd.
Winston-Salem
NC 27103

Tel: +1 (336) 659 3400
Fax: +1 (336) 659 9323
Email: sales@soldousa.com

PUB109-009-00
Issue Date 10/16

As part of a process of on-going product development, Soldo reserves the right to amend and change specifications without prior notice. Published data may be subject to change. For the very latest version release, visit our website at www.soldo.net

The name Soldo® is a registered trademark. Soldo recognizes all registered trademarks. Published and produced in the UK by Soldo, POWJB0716

