



Donaldson
FILTRATION SOLUTIONS

Compressed Air Filtration

Pneumatic controlled condensate drain

UFM-P

MAIN FEATURES & BENEFITS

- Hydrostatic level measuring, problem-free drainage of pure oil
- Pneumatic double membrane servo valve with long service life
- Large drain bores, Reliable drainage of large amounts of condensate, high function safety
- Operation without electricity, therefore applicable in hazardous areas
- Manual override



Pneumatic controlled condensate drain
UFM-P

INDUSTRIES



- Chemical



- Food and beverage



- Paint and finish



- Environmental



- Machine building and
plant engineering / construction

Donaldson Filtration Deutschland GmbH
Büssingstr. 1
D-42781 Haan
Tel.: +49 (0) 2129 569 0
Fax: +49 (0) 2129 569 100
E-Mail: CAP-de@donaldson.com
Web: www.donaldson.com

Donaldson®
Ultrafilter

PRODUCT DESCRIPTION

Pneumatic level-controlled condensate drain, suitable for the operation in explosion-endangered areas.

Function:

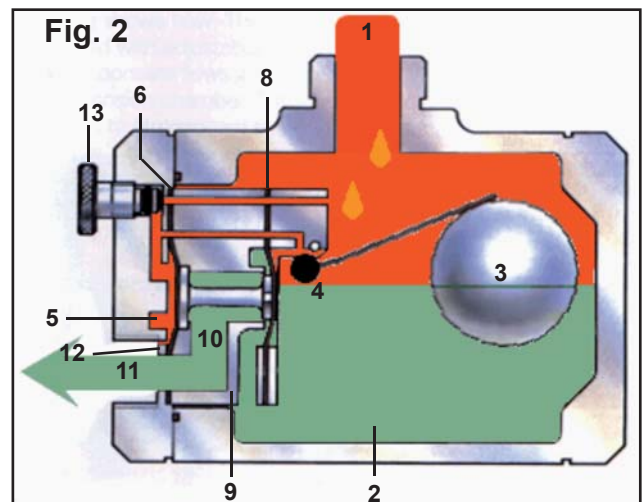
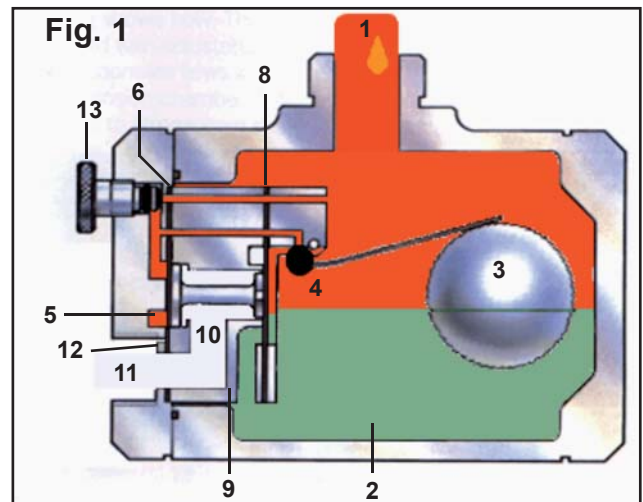
Fig.1:

Condensate drips through the intake port (1) and is collected in vessel (2). The control valve (4) is closed and the surge chamber (5) is vented. The Operation pressure in vessel (2) presses the diaphragm (8) at its seat and thus separates the condensate channel at the pressure side from the other one at the exit side (10).

Fig. 2:

If much condensate has been collected in the vessel, the float is lifted and compressed air can get into the surge chamber (5) over the control valve (4). The diaphragm (6) is pressed to the right hand side and opens the diaphragm (8) by means of the piston (7). Now the condensate can drain to the exit (11) over channel (9) and (10). If the float (3) moves down with the condensate level so far that the control valve closes again, the surge chamber is vented over nozzle (12). The diaphragm (6) as well as the diaphragm (8) over the piston (7) come back to their starting position, so that the drainage is closed again.

A testing of the function of the outlet valve can be done by means of the hand valve (13).



The UFM-P is designed and developed for the following applications:

Compressed air zero-loss draining of condensate at:

- compressors
- aftercoolers
- receiver-vessels
- pre- and after-filters of fridge dryers
- pre-filters of adsorption dryers
- condensate- and oil-removal filters
- pipe bends

PRODUCT SPECIFICATIONS

Features	Benefits
Large drain bores	Reliable drainage of large amounts of condensate, high function safety
Hydrostatic level measuring	Problem-free drainage of pure oil
pneumatic double membrane servo valve with long service life	Almost maintenance free
Small height of unit	A minimum of space needed
Operation without electricity	Therefore applicable in hazardous areas, manual override

Technical Data:	
Max. operating pressure:	0,8-16 bar
Operating temperature:	+1°C bis + 80 °C
Performance:	450 l/h at 7 bar and 20°C
Materials:	
Housing:	Sea water resistant aluminium chill casting. Blue polyester resign coating on the outside
Float:	Float made of stainless steel
Connections	
Outer:	1" BSP, condensate inlet
Inner:	1/2" BSP, condensate outlet

DIMENSIONS

