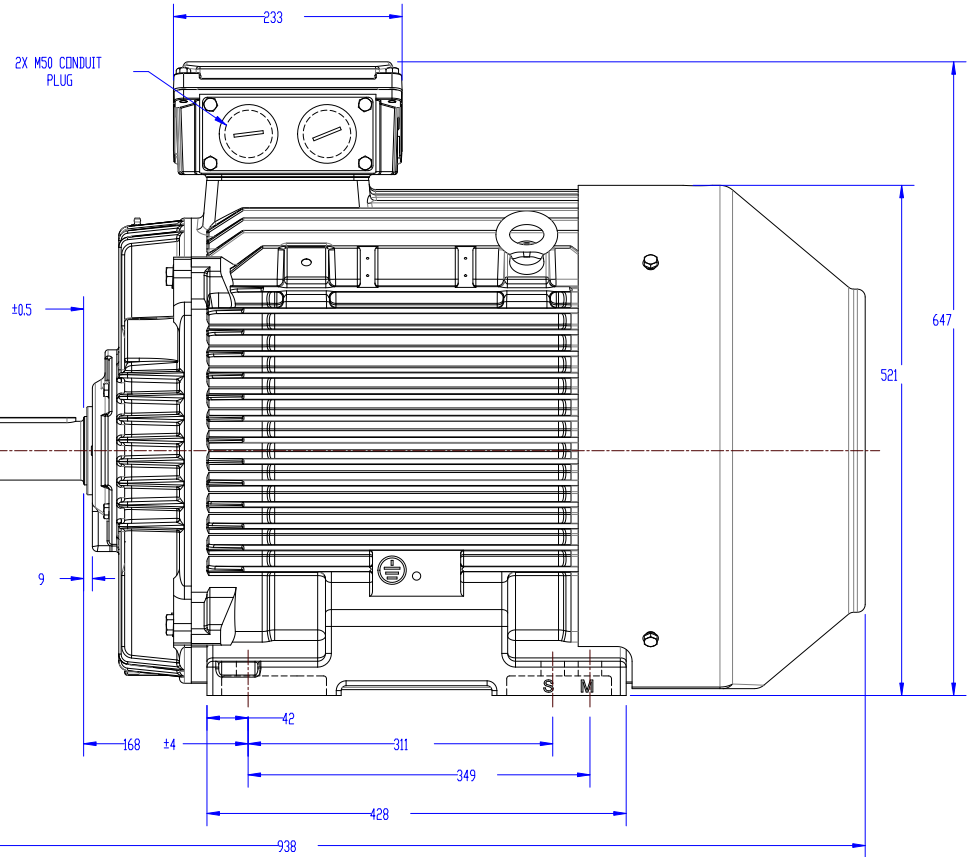
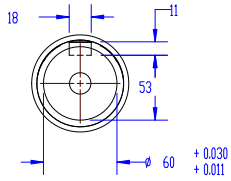
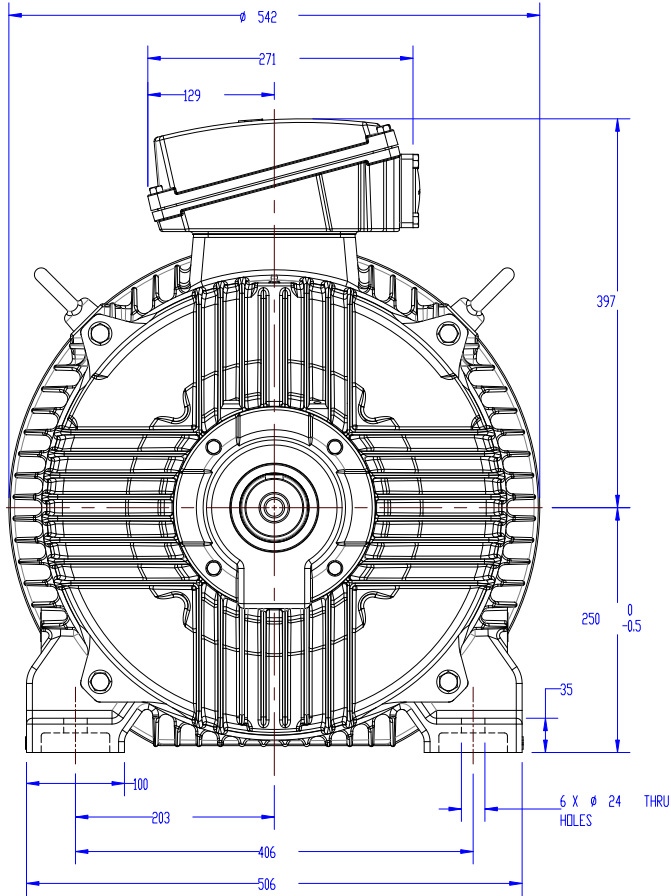


# OUTLINE



DRAWING REVISION	REVISION BY	DATE		DRAWN BY	SDV	<b>marathon</b> Motors			
ECD	APPROVED BY	DATE		DATE	18/07/2014				
ECC DESCRIPTION				APPROVED BY	SBD	DESCRIPTION	OUTLINE 250FR-2P-B3 MTG. MOTOR TYPE: TCA		
COPYRIGHT REGAL BELLET AMERICA, INC. ALL RIGHTS RESERVED. PROPRIETARY AND CONFIDENTIAL INFORMATION - THIS DOCUMENT IS THE PROPERTY OF REGAL BELLET AMERICA, INC. (OMBERS) AND CONTAINS OWNERS PROPRIETARY INFORMATION. ANY PERSON, CORPORATION OR OTHER FIRM RECEIVING IT IS HEREBY ADVISED THAT IT, AND/OR ANY PART OF IT, SHALL NOT BE DISCLOSED TO ANY PERSON, CORPORATION OR OTHER ENTITY, ORGANIZATION AND/OR USER, EXCEPT AS EXPRESSLY APPROVED IN WRITING IN ADVANCE BY OWNER. THIS DOCUMENT SHALL BE RETURNED TO OWNER UPON REQUEST. IT MAY BE SUBJECT TO CERTAIN RESTRICTIONS UNDER APPLICABLE EXPORT CONTROL LAWS AND REGULATIONS.			DATE	18/07/2014	MATERIAL	PROCESS/FINISH			
			REFERENCE		THIRD ANGLE PROJECTION		SIZE	B	DRAWING NUMBER