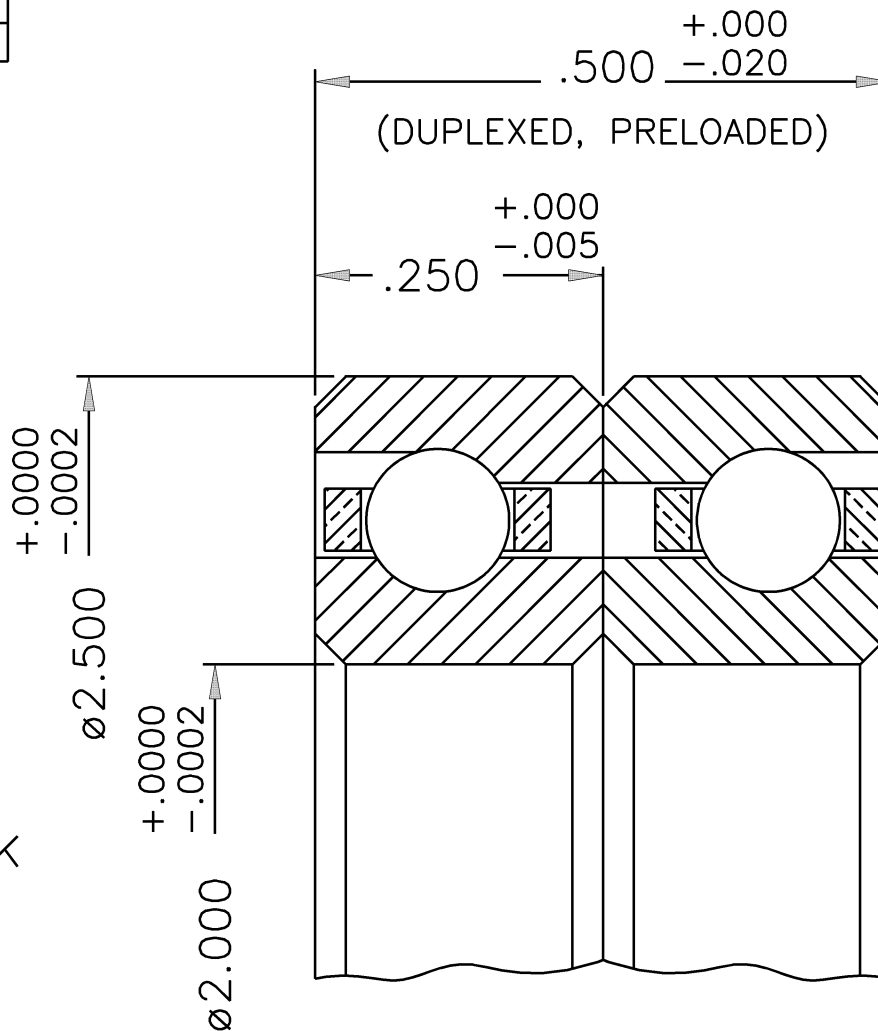


ZONE	REV	REVISION DESCRIPTION	BY	DATE	CHK	APR.

DWG.NO. 1126078



NOTES:

1. MATERIAL: CDVD 52100 STEEL
2. REFERENCE PART:
KAYDON CORPORATION
KAYDON PART NO. - KA020BY6K

TOLERANCES UNLESS OTHERWISE SPECIFIED	DIM.	TOL. +/-
	X.	0.060
	X.X	0.030
	X.XX	0.015
	X.XXX	0.005
ANGULAR DIM. +/-	1°	
SURFACE FINISH EXCEPT AS NOTED	125	Ra
UNLESS OTHERWISE SPECIFIED: BORE & KEYWAY TOLERANCE PER ES-084-MC. GEOMETRIC TOLERANCING PER ANSI Y14.5 ALL DIMENSIONS IN INCHES.		

G.A.	1126080	DWN.	TLP	DATE	04/10/06
REF#		CHK.	TPO	DATE	04/10/06
SCALE		ENG.		DATE	
PROJECTION		MAN.		DATE	
DO NOT SCALE DRAWING		G.A.		DATE	
		M.ENG.		DATE	

KOP-FLEX
KOP-FLEX, Inc.
Power Transmission Products

Certified To
ISO 9001
ABS/RAB/RvC Approved
Certificate #30052

This CAD drawing was created with Autodesk Software.
Autocad and the Autodesk logo is a registered trademark of Autodesk, Inc.

TITLE	
CIRCULAR POCKET 'REALI-SLIM' BALL BEARING	
DWG.NO.	REV.
1126078	0

THIS DRAWING AND ALL INFORMATION AND DESIGNS THERON ARE THE PROPERTY OF KOP-FLEX POWER TRANSMISSION PRODUCTS. THIS DRAWING IS CONFIDENTIAL AND MUST NOT BE MADE PUBLIC OR COPIED WITHOUT PRIOR WRITTEN AUTHORIZATION FROM KOP-FLEX INC. AND IS SUBJECT TO RETURN UPON DEMAND. ACCEPTANCE OF THIS DRAWING CONSTITUTES FULL AGREEMENT WITH THE FOREGOING CONDITIONS. KOP-FLEX 2004

SAVE NAME: