

## Directional valves ▶ Electrically operated, according to standard

### 5/2-directional valve, Series 581, size 3

▶ Qn = 4800 l/min ▶ plate connection ▶ Pilot valve width: 30x22 mm CNOMO ▶ Compressed air connection output: Base plate ISO 5599-1 ▶ Electr. connection: Plug, ISO 4400, form A ▶ Manual override: with detent, without detent



00132305

Standards	ISO 5599-1, ISO 3
Version	Spool valve
Sealing principle	Soft sealing
Blocking principle	Single base plate principle
Working pressure min./max.	See table below
Control pressure min./max.	3 bar / 10 bar
Ambient temperature min./max.	-15°C / +50°C
Medium temperature min./max.	-15°C / +50°C
Medium	Compressed air
Max. particle size	50 µm
Oil content of compressed air	0 mg/m³ - 5 mg/m³
Nominal flow Qn	4800 l/min
Pneumatic ports	Base plate ISO 5599-1
Protection class with connection	IP65
Duty cycle	100 %
Typ. switch-on time	24 ms
Typ. switch-off time	66 ms
Mounting screw	with hexagon socket
Mounting screw tightening torque	10 Nm
Weight	0.99 kg
Materials:	
Housing	Aluminum
Seals	Acrylonitrile butadiene rubber

#### Technical Remarks

- The min. control pressure must be adhered to, since otherwise faulty switching and valve failure may result!
- The pressure dew point must be at least 15 °C under ambient and medium temperature and may not exceed 3 °C.
- The oil content of compressed air must remain constant during the life cycle.
- Use only the approved oils from AVENTICS, see chapter „Technical information“.

Operational voltage		Voltage tolerance		Power consumption	Switch-on power	Holding power
DC	AC 50 Hz	DC	AC 50 Hz	DC	AC 50 Hz	AC 50 Hz
				W	VA	VA
24 V	-	-10% / +10%	-	2	-	-
-	230 V	-	-10% / +10%	-	7	4.8

	MO	Compressed air connection			Operating voltage		Power consumption	Holding power	Switch-on power	Part No.
		Output	Exhaust	Pilot Exhaust	DC	AC 50 Hz	DC	AC 50 Hz	AC 50 Hz	
							[W]	[VA]	[VA]	
		Base plate ISO 5599-1	Base plate ISO 5599-1	M5	24 V	-	2	-	-	<b>5813170650</b>
					-	230 V	-	4.8	7	<b>5813170450</b>
		Base plate ISO 5599-1	Base plate ISO 5599-1	M5	24 V	-	2	-	-	<b>5813171650</b>
					-	230 V	-	4.8	7	5813171450

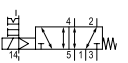
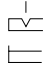
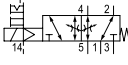
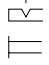
Part numbers marked in bold are available from the central warehouse in Germany, see the shopping basket for more detailed information

Pneumatics catalog, online PDF, as of 2017-01-19, ©AVENTICS S.à r.l., subject to change

Directional valves ► Electrically operated, according to standard

### 5/2-directional valve, Series 581, size 3

►  $Q_n = 4800$  l/min ► plate connection ► Pilot valve width: 30x22 mm CNOMO ► Compressed air connection output: Base plate ISO 5599-1 ► Electr. connection: Plug, ISO 4400, form A ► Manual override: with detent, without detent

	MO	Compressed air connection			Operating voltage		Power consumption	Hold- ing power	Switch- on power	Part No.
		Output	Exhaust	Pilot Exhaust	DC	AC 50 Hz	DC	AC 50 Hz	AC 50 Hz	
							[W]	[VA]	[VA]	
		Base plate ISO 5599-1	Base plate ISO 5599-1	M5	24 V	-	2	-	-	<b>5813172650</b>
					-	230 V	-	4.8	7	5813172450
		Base plate ISO 5599-1	Base plate ISO 5599-1	M5	24 V	-	2	-	-	5813173650
					-	230 V	-	4.8	7	5813173450

Part No.	Flow conductance	Working pressure min./ max.	Compatibility index	Note
	C			
	[l/(s*bar)]	[bar]		
<b>5813170650</b> <b>5813170450</b>	18.9	3 / 10	14	1); 2)
<b>5813171650</b> 5813171450	18.9	3 / 10	14	1); 2); 4)
<b>5813172650</b> 5813172450	18.9	-0.95 / 10	14	1); 3)
5813173650 5813173450	18.9	-0.95 / 10	14	1); 3); 4)

MO = Manual override

1) An operating pressure of up to 16 bar is possible in the version with manual override without detent.

2) Pilot: internal

3) Pilot: external

4) with throttle

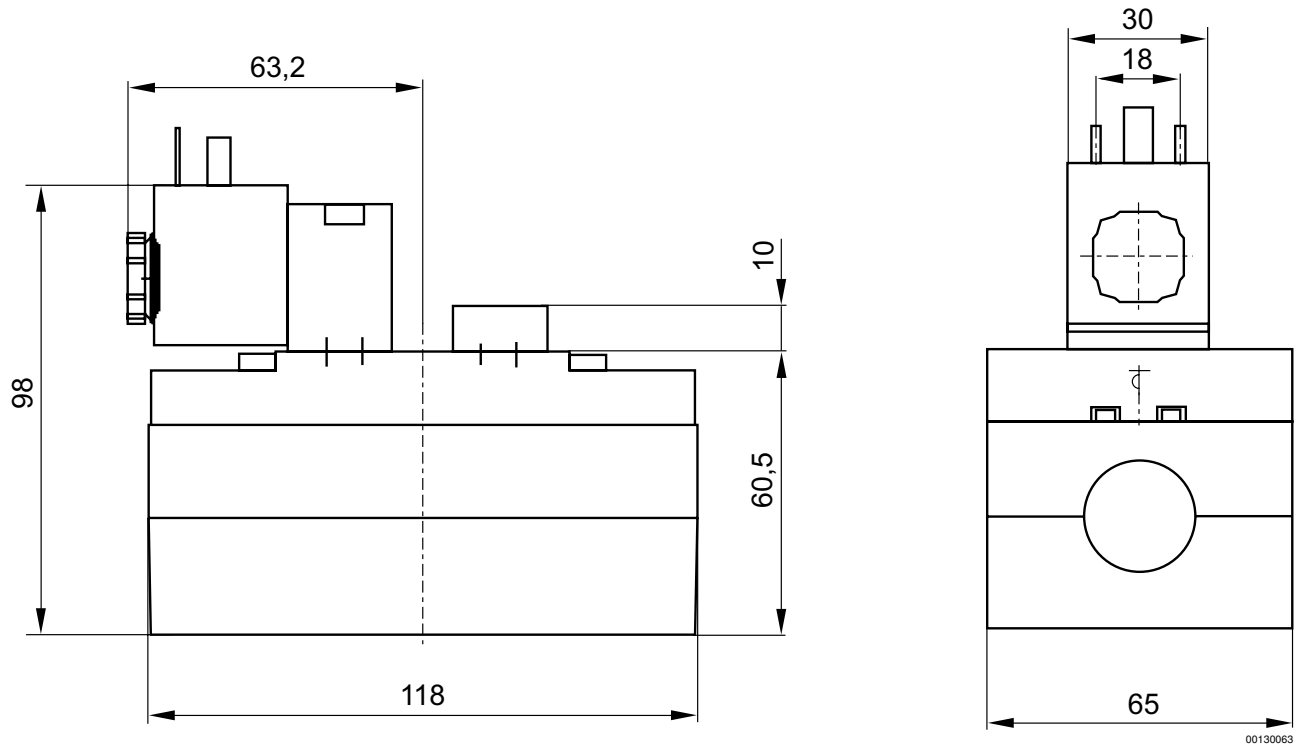
Nominal flow  $Q_n$  at 6 bar and  $\Delta p = 1$  bar

Directional valves ▶ Electrically operated, according to standard

## 5/2-directional valve, Series 581, size 3

▶  $Q_n = 4800$  l/min ▶ plate connection ▶ Pilot valve width: 30x22 mm CNOMO ▶ Compressed air connection output: Base plate ISO 5599-1 ▶ Electr. connection: Plug, ISO 4400, form A ▶ Manual override: with detent, without detent

### Dimensions



00130063